

对MD精心制作的配置的MD与FCIP

目录

[简介](#)

[先决条件](#)

[要求](#)

[使用的组件](#)

[规则](#)

[背景信息](#)

[配置](#)

[网络图](#)

[配置](#)

[验证](#)

[故障排除](#)

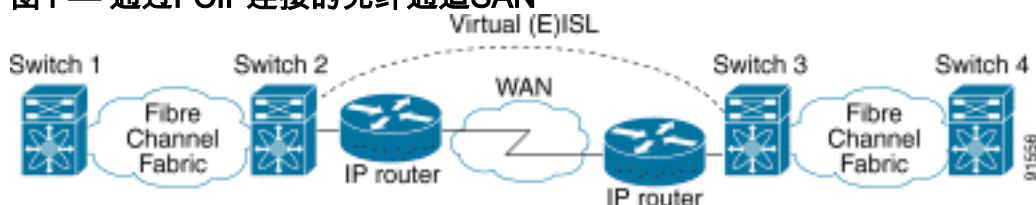
[相关信息](#)

简介

本文档提供了详细的TCP/IP光纤通道(FCIP)多层导向器交换机(MDS)到MDS的配置示例。

FCIP描述了在基于IP的光纤信道(FC)存储区域网络 (SAN) 岛实现互连的机制，以便在单个FC光组织中组成统一的SAN。FCIP依靠基于IP的网络服务，在通过局域网、城域网或广域网的SAN岛之间提供连通性。

图1 — 通过FCIP连接的光纤通道SAN



FCIP 在端口 3225 上使用传输控制协议 (TCP) 作为一种网络层传输技术。

先决条件

要求

尝试进行此配置之前，请确保满足以下要求：

- IP主干必须运行并提供所需的带宽，以支持在FCIP链路上运行的应用 — 这可以是第2层(L2)或第3层(L3)拓扑。
- 如果是L3拓扑，则必须设置并配置中间路由器或多层交换机，以在FCIP隧道的源IP地址和目的

IP地址之间适当转发IP流量。如果在FCIP对等体之间路径中的任何网络设备上实施服务质量(QoS)或流量整形，则在配置多层导向器交换机(MDS)FCIP配置文件上的任何TCP相关参数和功能之前，应咨询管理IP基础设施的网络管理器以获取必要的详细信息。

- 如果在MDS IP存储(IPS)服务模块上配置子接口，则与MDS相邻的以太网交换机必须支持并配置802.1Q中继。

使用的组件

本文档中的信息基于以下软件和硬件版本：

- 带IPS服务模块(DS-X9308-SMIP)的MDS 9509，运行版本1.2.(2a)
- 带IPS服务模块(DS-X9308-SMIP)的MDS 9216，运行版本1.2.(2a)
- 运行Catalyst OS(CatOS)7.4(3)的Catalyst 6509
- 带有Emulex LP9K HBA的Win2003服务器(HPQ Pro-Liant-P4)
- IBM 存储阵列 (ESS-2105-F20)

本文档中的信息都是基于特定实验室环境中的设备编写的。本文档中使用的所有设备最初均采用原始(默认)配置。如果您使用的是真实网络，请确保您已经了解所有命令的潜在影响。

规则

有关文档规则的详细信息，请参阅 [Cisco 技术提示规则](#)。

背景信息

FCIP包括以下规格：

[ANSI T11](#)

1. FC-SW-2描述FC交换机的操作和交互作用包括E_Port和结构操作。
2. FC-BB-2是适合通过TCP网络主干的FC交换网络扩展的映射，它同时还定义了支持E_端口 和 B_端口的参考模型。

[IETF IPS 工作组](#)

1. TCP的FC包括在一个IP网络上传输FC帧的TCP/IP要求。
2. FC 帧封装可定义普通的光纤封装格式。

两个SAN交换机或交换矩阵之间通过FCIP的互连称为FCIP链路，可以包含一个或多个TCP连接。FCIP链路的每个结尾与虚拟E端口(VE_端口)或B_端口连接，这取决于实施情况。FC-BB 和 FC-BB-2 可描述两种方法之间的区别。IPS服务模块(DS-X9308-SMIP)支持两种模式，但默认为VE_Port，如果所有相关对等体都是DS-X9308-SMIP模块，则也建议运行VE_Port模式。在此示例拓扑中，讨论了PortChannel上的FCIP、要配置的TCP参数和FSF(特殊帧)配置参数。

配置

本部分提供有关如何配置本文档所述功能的信息。

在MDS上，您需要熟悉两个平台的IPS配置指南。在Cisco.com上的配置IP存储中，您可以[找到最新](#)

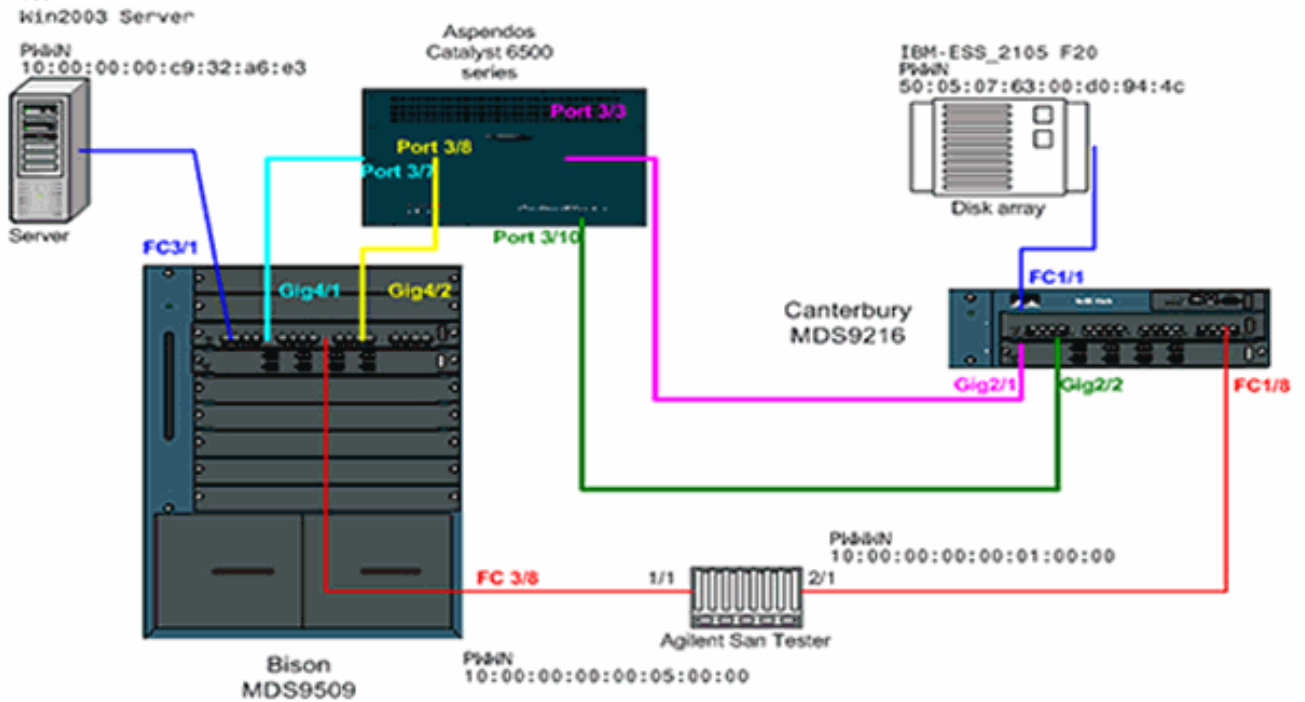
版本的手册。

注意：使用命令查找工具(仅限注册客户)可查找有关本文档中使用的命令的详细信息。

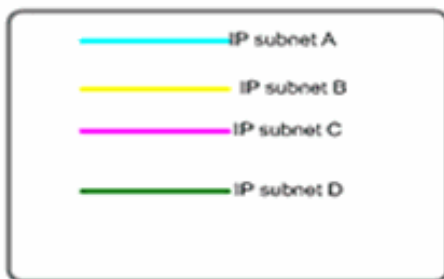
网络图

本文档使用以下网络设置：

图2 — 拓扑3



Topology 3 - PortChannel of two FCIP interfaces



拓扑3描绘了由两个单独的FCIP隧道形成的一个FCIP端口通道；对等接口跨IP云。IP云折叠为一台多层交换机(Catalyst 6500)，该交换机将流量从子网A路由到子网C，从子网C路由到子网A (从子网B路由到子网D，从子网D路由到子网A)。子网定义如下：

- 子网 A:100.100.100.0/30 - Bison int Gig4/1
- 子网 B:100.100.100.4/30 - Bison int Gig4/2
- 子网 C:200.200.200.0/30-坎特伯雷Gig2/1
- 子网 D:200.200.200.4/30 — 坎特伯雷Gig2/2

该拓扑提供已知**最大带宽100 Mbps**和**最小带宽100 Mbps**，这是通过此IP云为相关IP流量运行的配置文件。初始配置显示了基于FCIP的端口通道和TCP流量调节的方面。在后续部分中，将进一步说明FSF、被动TCP接口和FCIP时间戳。

配置

本文档使用以下配置：

- [具备 IPS-8 模块的 MDS9509 \(Bison\)](#)
- [具备 IPS-8 模块的 MDS9612 \(Canterbury\)](#)

具备 IPS-8 模块的 MDS9509 (Bison)

```
bison# sh ver
Cisco Storage Area Networking Operating System (SAN-OS)
Software
TAC support: http://www.cisco.com/tac
Copyright (c) 2002-2003 by Cisco Systems, Inc. All
rights reserved.
The copyright for certain works contained herein are
owned by
Andiamo Systems, Inc. and/or other third parties and are
used and
distributed under license.

Software
BIOS: version 1.0.8
loader: version 1.2(2)
kickstart: version 1.2(2a)
system: version 1.2(2a)

BIOS compile time: 08/07/03
kickstart image file is: bootflash:/k122a
kickstart compile time: 9/23/2003 11:00:00
system image file is: bootflash:/s122a
system compile time: 10/8/2003 18:00:00

Hardware
RAM 1024584 kB

bootflash: 500736 blocks (block size 512b)
slot0: 0 blocks (block size 512b)

bison uptime is 1 days 15 hours 45 minute(s) 44
second(s)

Last reset
Reason: Unknown
System version: 1.2(2a)
Service:

bison# sh run

Building Configuration ...
fcip profile 1
ip address 100.100.100.1
tcp max-bandwidth-mbps 100 min-available-bandwidth-mbps
100 round-trip-time-ms 10
!--- TCP bandwidth parameters defined specifically for
this FCIP tunnel. !--- Restricted to 100 Mbps max and
min. See the Note on TCP Parameters !--- comment section
in this table below for more details. fcip profile 2 ip
address 100.100.100.5 tcp max-bandwidth-mbps 100 min-
available-bandwidth-mbps 100 round-trip-time-ms 10 !---
TCP max and min bandwidth parameter are configured here
exactly the !--- same as for FCIP 1 because both tunnels
are combined in one PortChannel !--- interface and are
```

```

subject to the same bandwidth restrictions in the IP
core. vsan database vsan 600 vsan 601 fcdomain domain 1
preferred vsan 600 fcdomain domain 1 preferred vsan 601
interface port-channel 1 switchport trunk allowed vsan
600-601 interface fcip1 channel-group 1 force no
shutdown use-profile 1 peer-info ipaddr 200.200.200.1 !-
-- Interface FCIP 1 is a member of channel-group 1. The
force keyword makes it !--- adopt the specific settings
configured on interface port-channel 1. interface fcip2
channel-group 1 force no shutdown use-profile 2 peer-
info ipaddr 200.200.200.5 !--- Interface FCIP 2 is also
member of channel-group 1. boot system bootflash:/s122a
sup-1 boot kickstart bootflash:/k122a sup-1 boot system
bootflash:/s122a sup-2 boot kickstart bootflash:/k122a
sup-2 ip domain-name cisco.com ip name-server
144.254.10.123 ip route 200.200.200.0 255.255.255.252
100.100.100.2 distance 2 ip route 200.200.200.4
255.255.255.252 100.100.100.6 distance 2 !--- FCIP
interfaces are on separate IP subnets, so in order to
reach the FCIP !--- peer IP address, you need adequate
static routes to an L3 device that !--- knows how to
forward the packets to the final destination. Multiple
routes !--- to the same destination IP subnet are
allowed, and the distance parameter !--- can be used to
specify a preferred next hop. Multiple next hops would
!--- require a subnet mask providing for a larger number
of host; for example, !--- a 28-bit subnet mask. ssh key
dsa 768 force ssh server enable switchname bison zone
default-zone permit vsan 600-601 interface
GigabitEthernet4/1 ip address 100.100.100.1
255.255.255.252 switchport mtu 3000 no shutdown !--- MTU
size is defined as 3000 bytes. Make sure that all
intermediate network !--- devices between this interface
and the peer IP address are capable of !--- switching
and routing Jumbo frames. In order to avoid FC Frame
split, !--- an MTU value of 2300 is required; 3000 is
used in the configuration example !--- for simplicity.
FCIP TCP segments will normally never exceed 2264 bytes
for !--- TE ports or 2256 bytes for E ports, regardless
of the configured MTU size. interface GigabitEthernet4/2
ip address 100.100.100.5 255.255.255.252 switchport mtu
3000 no shutdown interface fc3/1 interface fc3/2
interface fc3/3 interface fc3/4 interface fc3/5
interface fc3/6 interface fc3/7 interface fc3/8
interface fc3/9 interface fc3/10 interface fc3/11
interface fc3/12 interface fc3/13 interface fc3/14
interface fc3/15 interface fc3/16 interface mgmt0 ip
address 10.48.69.151 255.255.255.128 !--- Note on TCP
Parameters !--- The following TCP parameters can be
individually configured per FCIP profile:

```

```

bison(config-profile)# tcp ?

```

```

cwm Enable congestion window monitoring
keepalive-timeout Set keep alive timeout in sec
max-bandwidth-kbps Configure maximum available path
bandwidth in Kbps
max-bandwidth-mbps Configure maximum available path
bandwidth in Mbps
max-retransmissions Maximum number of retransmissions
min-retransmit-time Set minimum retransmit time in
millisecond
pmtu-enable Enable PMTU Discovery
sack-enable Enable SACK option for TCP

```

```
send-buffer-size Send buffer size in KBytes
!--- The CWM parameter default value is 10K and should
be left untouched under !--- normal conditions.
Congestion window monitoring (CWM) is a way of !---
controlling burstiness after long idle times or loss of
Acks.

!--- The keepalive-timeout is the TCP keepalive timeout
value and is !--- set to 60 seconds by default, though
it can range between 1 and 7200 seconds.

!--- The max- and min-bandwidth parameters program the
TCP Maximum Window Size !--- (scaling factor) and
engages an internal "shaper" functionality. !--- These
values should be carefully chosen and requires
understanding of the !--- intermediate network's end-to-
end topology. The default values are to be !--- changed
according to the aforementioned requirements. !--- The
Round-trip-time can be derived once you have your FCIP
tunnel up and !--- running by issuing the following
command:

bison# ips measure 200.200.200.1 interface
gigabitethernet 4/1

Round trip time is 53 micro seconds (0.05 milliseconds )
!--- Always add an additional margin of at least a few
microseconds to this value. !--- The max-retransmissions
counter is set to 4 by default. In a healthy network !--
- environment, this value should be left unchanged.

!--- The max-retransmission timer is set to 200
milliseconds. If you experience !--- extremely high
retransmission counters, this value can be increased;
but, !--- in general, changing this parameter is not
required unless the RTT is !--- above 200 milliseconds.

!--- The PMTU (Path MTU discovery) is enabled by
default. Best practice is to know !--- what is the
maximum MTU size supported by all interfaces along the
logical !--- path between both peers.

!--- The SACK feature (Selective Acknowledgment) is not
enabled by default. !--- Consider enabling it when you
have a lot of retransmissions occurring between !--- the
two peers. SACK allows selective retransmissions of your
window, which is !--- beneficial if larger maximum
window sizes are configured and retransmissions !---
occur frequently. It is enabled in this sample
configuration; when you do so, !--- make sure that it is
enabled at both sides of the link.

!--- The send-buffer-size is the amount of buffers in
addition to the TCP window !--- that are allowed to be
transmitted out before starting to flow control the FC
!--- sources. The default value is set to 0.
```

- 有关PMTU的详细信息，请参阅[RFC 1191 — 路径MTU发现](#)。
- 有关SACK的详细信息，请参阅[RFC 2018 - TCP选择性确认选项](#)和[RFC 2883 - TCP选择性确认\(SACK\)选项的扩展](#)

具备 IPS-8 模块的 MDS9216 (Canterbury)

```
canterbury# sh run

Building Configuration ...
fcip profile 200
ip address 200.200.200.1
tcp max-bandwidth-mbps 100 min-available-bandwidth-mbps
100 round-trip-time-ms 10

fcip profile 201
ip address 200.200.200.5
tcp max-bandwidth-mbps 100 min-available-bandwidth-mbps
100 round-trip-time-ms 10
!--- The TCP parameters are identical to what is
configured on the peering !--- FCIP interfaces. Only in
very specific cases should different values be !---
considered, for example, if the return-path(s) are
running across a different !--- part of the network or
if the application dictates asymmetrical values. vsan
database vsan 600 vsan 601 fcdomain domain 2 preferred
vsan 600 fcdomain domain 2 preferred vsan 601 interface
port-channel 2 switchport trunk mode auto switchport
trunk allowed vsan 600-601 interface fcip1 channel-group
2 force no shutdown use-profile 200 peer-info ipaddr
100.100.100.1 interface fcip2 channel-group 2 force no
shutdown use-profile 201 peer-info ipaddr 100.100.100.5
!--- Both FCIP 1 and FCIP 2 are bound to the same
channel-group 2. Also note that !--- there is no strict
relationship between profile-id and FCIP interface !---
numbering here, as this is not a requirement. From a
management and !--- troubleshooting perspective,
however, a "strict" relationship of both values !--- is
recommended. vsan database vsan 600 interface fc1/1 vsan
601 interface fc1/8 boot system bootflash:/s122a boot
kickstart bootflash:/k122a ip domain-name cisco.com ip
name-server 144.254.10.123 ip default-gateway
10.48.69.129 ip route 100.100.100.0 255.255.255.252
200.200.200.2 distance 2 ip route 100.100.100.4
255.255.255.252 200.200.200.6 distance 2 !--- IP routes
are defined for both FCIP peer IP addresses. The next
hop must be !--- aware of the best route to the peer's
addresses or to the relevant IP subnets. ssh key dsa 768
force ssh server enable switchname canterbury system
default switchport trunk mode auto username admin
password 5 $1$KcCrqxlu$mtU03/60PRUIfj1.aeEEc0 role
network-admin zone default-zone permit vsan 600-601
zoneset distribute full vsan 1-4093 interface
GigabitEthernet2/1 ip address 200.200.200.1
255.255.255.252 switchport mtu 3000 no shutdown
interface GigabitEthernet2/2 ip address 200.200.200.5
255.255.255.252 switchport mtu 3000 no shutdown
interface GigabitEthernet2/3 interface
GigabitEthernet2/4 interface GigabitEthernet2/5
interface GigabitEthernet2/6 interface
GigabitEthernet2/7 interface GigabitEthernet2/8
interface fc1/1 interface fc1/2 interface fc1/3
interface fc1/4 interface fc1/5 interface fc1/6
interface fc1/7 interface fc1/8 interface fc1/9
interface fc1/10 interface fc1/11 interface fc1/12
interface fc1/13 interface fc1/14 interface fc1/15
interface fc1/16 interface mgmt0 ip address 10.48.69.156
255.255.255.128 interface iscsi2/1 interface iscsi2/2
interface iscsi2/3 interface iscsi2/4 interface iscsi2/5
```



```
interface iscsi2/6 interface iscsi2/7 interface iscsi2/8
```

验证

使用本部分可确认配置能否正常运行。

[命令输出解释程序 \(仅限注册用户 \) \(OIT\) 支持某些 show 命令。](#) 使用 OIT 可查看对 show 命令输出的分析。

- `show interface gig x/y` - 显示绑定到 FCIP 配置文件的相关千兆接口的状态。
- `show ips stats tcp int gig x/y`---显示相关千兆接口的TCP统计数据 and 活动连接。
- `show ips arp int gig x/y` - 显示相关千兆接口的所有地址解析协议 (ARP) 条目；对端的下一跳应该是存在于此列表中。
- `show ips ip route int gig x/y` - 显示通过相关千兆接口的特定路由。
- `show interface fcip x`——显示FCIP接口状态和与此FCIP隧道相关的全部详情。
- `show profile fcip x` ——显示文件夹所捆绑的IP地址，以及所有配置的TCP参数。
- `show int fcip x counters`——用于检查是否有任何帧通过FCIP隧道。
- `show fcdomain vsan x` - 列出所有与域相关的详细信息；过去常常验证结构在FCIP隧道间被形成。
- `show fcns da vsan x` ---显示与VSAN相关的所有pwwn、FC4-类型和FCID;用于验证所有期望的条目通过FCIP隧道被分配。

故障排除

使用本部分可排除配置故障。

请务必多次发出`show`命令以构建计数器历史记录。与时间点无关且仅收集一次的计数器大多无用。

使用下面所示的配置进行进一步的故障排除。

- [MDS9509 \(Bison\)](#)
- [MDS9216 \(Canterbury\)](#)
- [特殊帧配置\(Bison\)](#)
- [特殊帧配置\(Canterbury\)](#)
- [从Bison和Canterbury - Canterbury被动显示](#)
- [从Bison和Canterbury显示 — 时间戳设置](#)

MDS9509 (Bison)

```
bison# sh int gig 4/1

GigabitEthernet4/1 is up
  Hardware is GigabitEthernet, address is
0005.3000.a85a
  Internet address is 100.100.100.1/30
  MTU 3000 bytes
  Port mode is IPS
  Speed is 1 Gbps
  Beacon is turned off
  Auto-Negotiation is turned on
  5 minutes input rate 312 bits/sec, 39 bytes/sec, 0
```



```
frames/sec
  5 minutes output rate 312 bits/sec, 39 bytes/sec, 0
frames/sec
  8685 packets input, 976566 bytes
    0 multicast frames, 0 compressed
    0 input errors, 0 frame, 0 overrun 0 fifo
  8679 packets output, 972382 bytes, 0 underruns
    0 output errors, 0 collisions, 0 fifo
    0 carrier errors
```

bison# **sh int gig 4/2**

```
GigabitEthernet4/2 is up
  Hardware is GigabitEthernet, address is
0005.3000.a85b
  Internet address is 100.100.100.5/30
  MTU 3000 bytes
  Port mode is IPS
  Speed is 1 Gbps
  Beacon is turned off
  Auto-Negotiation is turned on
  5 minutes input rate 16 bits/sec, 2 bytes/sec, 0
frames/sec
  5 minutes output rate 16 bits/sec, 2 bytes/sec, 0
frames/sec
  590 packets input, 46496 bytes
    0 multicast frames, 0 compressed
    0 input errors, 0 frame, 0 overrun 0 fifo
  547 packets output, 30898 bytes, 0 underruns
    0 output errors, 0 collisions, 0 fifo
    0 carrier errors
```

bison# **sh ips stats tcp int gig 4/1**

```
TCP Statistics for port GigabitEthernet4/1
Connection Stats
  14 active openings, 4 accepts
  4 failed attempts, 0 reset received, 14
established
Segment stats
  8897 received, 8505 sent, 0 retransmitted
  0 bad segments received, 0 reset sent
```

```
TCP Active Connections
  Local Address      Remote Address      State
Send-Q  Recv-Q
  100.100.100.1:65480 200.200.200.1:3225 ESTABLISH
0      0
  100.100.100.1:65482 200.200.200.1:3225 ESTABLISH
0      0
  100.100.100.1:3225  0.0.0.0:0          LISTEN
0      0
```

bison# **sh ips stats tcp int gig 4/2**

```
TCP Statistics for port GigabitEthernet4/2
Connection Stats
  2 active openings, 0 accepts
  0 failed attempts, 0 reset received, 2 established
Segment stats
  598 received, 43 sent, 0 retransmitted
  0 bad segments received, 0 reset sent
```

```
TCP Active Connections
```

Local Address	Remote Address	State
Send-Q Recv-Q		
100.100.100.5:65531	200.200.200.5:3225	ESTABLISH
0	0	
100.100.100.5:65533	200.200.200.5:3225	ESTABLISH
0	0	
100.100.100.5:3225	0.0.0.0:0	LISTEN
0	0	

bison# **sh int fcip1-2**

fcip1 is trunking
Hardware is GigabitEthernet
Port WWN is 20:c2:00:05:30:00:7a:de
Peer port WWN is 20:42:00:0c:30:6c:24:40
Admin port mode is auto, trunk mode is on
Port mode is TE
vsan is 1

Belongs to port-channel 1
Trunk vsans (allowed active) (600-601)
Trunk vsans (operational) (600-601)
Trunk vsans (up) (600-601)
Trunk vsans (isolated) ()
Trunk vsans (initializing) ()
Using Profile id 1 (interface GigabitEthernet4/1)
Peer Information
Peer Internet address is 200.200.200.1 and port is 3225
Special Frame is disabled
Maximum number of TCP connections is 2
Time Stamp is disabled
QOS control code point is 0
QOS data code point is 0
B-port mode disabled

TCP Connection Information
2 Active TCP connections
Control connection: Local 100.100.100.1:65480,
Remote 200.200.200.1:3225
Data connection: Local 100.100.100.1:65482, Remote 200.200.200.1:3225
28 Attempts for active connections, 7 close of connections

TCP Parameters
Path MTU 3000 bytes
Current retransmission timeout is 200 ms
Round trip time: Smoothed 5 ms, Variance: 6
Advertized window: Current: 118 KB, Maximum: 118 KB, Scale: 1
Peer receive window: Current: 118 KB, Maximum: 118 KB, Scale: 1
Congestion window: Current: 10 KB, Slow start threshold: 118 KB
5 minutes input rate 120 bits/sec, 15 bytes/sec, 0 frames/sec
5 minutes output rate 120 bits/sec, 15 bytes/sec, 0 frames/sec
4077 frames input, 379836 bytes
4071 Class F frames input, 379100 bytes
6 Class 2/3 frames input, 736 bytes
0 Error frames timestamp error 0
4077 frames output, 381064 bytes
4071 Class F frames output, 380364 bytes
6 Class 2/3 frames output, 700 bytes
0 Error frames 0 reass frames

```
fcip2 is trunking
  Hardware is GigabitEthernet
  Port WWN is 20:c6:00:05:30:00:7a:de
  Peer port WWN is 20:46:00:0c:30:6c:24:40
  Admin port mode is auto, trunk mode is on
  Port mode is TE
  vsan is 1
Belongs to port-channel 1
  Trunk vsans (allowed active) (600-601)
  Trunk vsans (operational) (600-601)
  Trunk vsans (up) (600-601)
  Trunk vsans (isolated) ()
  Trunk vsans (initializing) ()
  Using Profile id 2 (interface GigabitEthernet4/2)
  Peer Information
    Peer Internet address is 200.200.200.5 and port is
3225
    Special Frame is disabled
    Maximum number of TCP connections is 2
    Time Stamp is disabled
    QOS control code point is 0
    QOS data code point is 0
    B-port mode disabled
  TCP Connection Information
    2 Active TCP connections
    Control connection: Local 100.100.100.5:65531,
Remote 200.200.200.5:3225
    Data connection: Local 100.100.100.5:65533, Remote
200.200.200.5:3225
    2 Attempts for active connections, 0 close of
connections
  TCP Parameters
    Path MTU 3000 bytes
    Current retransmission timeout is 200 ms
    Round trip time: Smoothed 0 ms, Variance: 0
Advertized window: Current: 118 KB, Maximum: 118
KB, Scale: 1
Peer receive window: Current: 118 KB, Maximum: 118
KB, Scale: 1
    Congestion window: Current: 8 KB, Slow start
threshold: 118 KB
    5 minutes input rate 32 bits/sec, 4 bytes/sec, 0
frames/sec
    5 minutes output rate 32 bits/sec, 4 bytes/sec, 0
frames/sec
    8 frames input, 1232 bytes
    8 Class F frames input, 1232 bytes
    0 Class 2/3 frames input, 0 bytes
    0 Error frames timestamp error 0
    8 frames output, 1228 bytes
    8 Class F frames output, 1228 bytes
    0 Class 2/3 frames output, 0 bytes
    0 Error frames 0 reass frames

bison# sh fcip pro 1

FCIP Profile 1
  Internet Address is 100.100.100.1 (interface
GigabitEthernet4/1)
  Listen Port is 3225
TCP parameters
  SACK is enabled
  PMTU discovery is enabled, reset timeout is 3600 sec
```

```

Keep alive is 60 sec
Minimum retransmission timeout is 200 ms
Maximum number of re-transmissions is 4
Send buffer size is 0 KB
Maximum allowed bandwidth is 100000 kbps
Minimum available bandwidth is 100000 kbps
Estimated round trip time is 10000 usec
Congestion window monitoring is enabled, burst size
is 10 KB

bison# sh fcip pro 2

FCIP Profile 2
  Internet Address is 100.100.100.5 (interface
GigabitEthernet4/2)
  Listen Port is 3225
TCP parameters
  SACK is enabled
  PMTU discovery is enabled, reset timeout is 3600 sec
  Keep alive is 60 sec
  Minimum retransmission timeout is 200 ms
  Maximum number of re-transmissions is 4
  Send buffer size is 0 KB
  Maximum allowed bandwidth is 100000 kbps
  Minimum available bandwidth is 100000 kbps
  Estimated round trip time is 10000 usec
  Congestion window monitoring is enabled, burst size
is 10 KB

bison# sh int port-channel 1

port-channel 1 is trunking
  Hardware is Fibre Channel
  Port WWN is 24:01:00:05:30:00:7a:de
  Admin port mode is auto, trunk mode is on
  Port mode is TE
  Port vsan is 1
  Speed is 2 Gbps
  Trunk vsans (admin allowed and active) (600-601)
  Trunk vsans (up) (600-601)
  Trunk vsans (isolated) ()
  Trunk vsans (initializing) ()
  5 minutes input rate 120 bits/sec, 15 bytes/sec, 0
frames/sec
  5 minutes output rate 120 bits/sec, 15 bytes/sec, 0
frames/sec
  3969 frames input, 369812 bytes
    3963 Class F frames input, 369076 bytes
    6 Class 2/3 frames input, 736 bytes
    0 Error frames timestamp error 0
  3969 frames output, 371040 bytes
    3963 Class F frames output, 370340 bytes
    6 Class 2/3 frames output, 700 bytes
    0 Error frames 0 reass frames
  Member[1] : fcip1
  Member[2] : fcip2

bison# sh ips ip route interface gigabitethernet 4/1

Codes: C - connected, S - static
No default gateway

S 200.200.200.0/30 via 100.100.100.2, GigabitEthernet4/1
C 100.100.100.0/30 is directly connected,

```

```

GigabitEthernet4/1

bison# sh ips ip route interface gigabitethernet 4/2

Codes: C - connected, S - static
No default gateway

S 200.200.200.4/30 via 100.100.100.6, GigabitEthernet4/2
C 100.100.100.4/30 is directly connected,
GigabitEthernet4/2

bison# sh ips arp int gig 4/1

Protocol      Address      Age (min)    Hardware Addr
Type  Interface
Internet  100.100.100.2      8      0008.e21e.c7bc
ARPA  GigabitEthernet4/1
!--- Verify that the hardware address listed belongs to
the !--- next hop networking device. bison# sh ips arp
int gig 4/2

Protocol      Address      Age (min)    Hardware Addr
Type  Interface
Internet  100.100.100.6      5      0008.e21e.c7bc
ARPA  GigabitEthernet4/2

bison# sh int port-channel 1 trunk vsan 600-601

port-channel 1 is trunking
  Vsan 600 is up, FCID is 0x010000
  Vsan 601 is up, FCID is 0x010000

bison# sh fcdomain vsan 600

The local switch is the Principal Switch.

Local switch run time information:
  State: Stable
  Local switch WWN: 22:58:00:05:30:00:7a:df
  Running fabric name: 22:58:00:05:30:00:7a:df
  Running priority: 2
  Current domain ID: 0x01(1)

Local switch configuration information:
  State: Enabled
  FCID persistence: Disabled
  Auto-reconfiguration: Disabled
  Contiguous-allocation: Disabled
  Configured fabric name: 20:01:00:05:30:00:28:df
  Configured priority: 128
  Configured domain ID: 0x01(1) (preferred)

Principal switch run time information:
  Running priority: 2

Interface      Role      RCF-reject
-----
port-channel 1  Downstream  Disabled
-----

bison# sh fcdomain vsan 601

The local switch is the Principal Switch.

```

```

Local switch run time information:
  State: Stable
  Local switch WWN: 22:59:00:05:30:00:7a:df
  Running fabric name: 22:59:00:05:30:00:7a:df
  Running priority: 2
  Current domain ID: 0x01(1)

Local switch configuration information:
  State: Enabled
  FCID persistence: Disabled
  Auto-reconfiguration: Disabled
  Contiguous-allocation: Disabled
  Configured fabric name: 20:01:00:05:30:00:28:df
  Configured priority: 128
  Configured domain ID: 0x01(1) (preferred)

Principal switch run time information:
  Running priority: 2

Interface           Role           RCF-reject
-----
port-channel 1   Downstream   Disabled
-----

```

MDS9216 (Canterbury)

```

canterbury# sh int gig 2/1-2

GigabitEthernet2/1 is up
  Hardware is GigabitEthernet, address is
0005.3000.ade6
  Internet address is 200.200.200.1/30
  MTU 3000 bytes
  Port mode is IPS
  Speed is 1 Gbps
  Beacon is turned off
  Auto-Negotiation is turned on
  5 minutes input rate 320 bits/sec, 40 bytes/sec, 0
frames/sec
  5 minutes output rate 320 bits/sec, 40 bytes/sec, 0
frames/sec
  8844 packets input, 993118 bytes
    0 multicast frames, 0 compressed
    0 input errors, 0 frame, 0 overrun 0 fifo
  8855 packets output, 994686 bytes, 0 underruns
    0 output errors, 0 collisions, 0 fifo
    0 carrier errors

GigabitEthernet2/2 is up
  Hardware is GigabitEthernet, address is
0005.3000.ade7
  Internet address is 200.200.200.5/30
  MTU 3000 bytes
  Port mode is IPS
  Speed is 1 Gbps
  Beacon is turned off
  Auto-Negotiation is turned on
  5 minutes input rate 16 bits/sec, 2 bytes/sec, 0
frames/sec
  5 minutes output rate 8 bits/sec, 1 bytes/sec, 0
frames/sec
  634 packets input, 39538 bytes
    0 multicast frames, 0 compressed

```

```
0 input errors, 0 frame, 0 overrun 0 fifo
610 packets output, 47264 bytes, 0 underruns
0 output errors, 0 collisions, 0 fifo
0 carrier errors
```

```
canterbury# sh ips stats tcp int gig 2/1
```

```
TCP Statistics for port GigabitEthernet2/1
```

```
Connection Stats
```

```
18 active openings, 10 accepts
14 failed attempts, 0 reset received, 8
```

```
established
```

```
Segment stats
```

```
8919 received, 8923 sent, 0 retransmitted
0 bad segments received, 0 reset sent
```

```
TCP Active Connections
```

Local Address	Remote Address	State
Send-Q Recv-Q		
200.200.200.1:3225	100.100.100.1:65480	ESTABLISH
0	0	
200.200.200.1:3225	100.100.100.1:65482	ESTABLISH
0	0	
200.200.200.1:3225	0.0.0.0:0	LISTEN
0	0	

```
canterbury# sh ips stats tcp int gig 2/2
```

```
TCP Statistics for port GigabitEthernet2/2
```

```
Connection Stats
```

```
498 active openings, 2 accepts
498 failed attempts, 0 reset received, 2
```

```
established
```

```
Segment stats
```

```
556 received, 579 sent, 0 retransmitted
0 bad segments received, 0 reset sent
```

```
TCP Active Connections
```

Local Address	Remote Address	State
Send-Q Recv-Q		
200.200.200.5:3225	100.100.100.5:65531	ESTABLISH
0	0	
200.200.200.5:3225	100.100.100.5:65533	ESTABLISH
0	0	
200.200.200.5:3225	0.0.0.0:0	LISTEN
0	0	

```
canterbury# sh int fcip 1-2
```

```
fcip1 is trunking
```

```
Hardware is GigabitEthernet
```

```
Port WWN is 20:42:00:0c:30:6c:24:40
```

```
Peer port WWN is 20:c2:00:05:30:00:7a:de
```

```
Admin port mode is auto, trunk mode is auto
```

```
Port mode is TE
```

```
vsan is 1
```

```
Belongs to port-channel 2
```

```
Trunk vsans (allowed active) (600-601)
```

```
Trunk vsans (operational) (600-601)
```

```
Trunk vsans (up) (600-601)
```

```
Trunk vsans (isolated) ()
```

```
Trunk vsans (initializing) ()
```

```
Using Profile id 200 (interface GigabitEthernet2/1)
```

```
Peer Information
```



```
Peer Internet address is 100.100.100.1 and port is
3225
Special Frame is disabled
Maximum number of TCP connections is 2
Time Stamp is disabled
QOS control code point is 0
QOS data code point is 0
B-port mode disabled
TCP Connection Information
  2 Active TCP connections
  Control connection: Local 200.200.200.1:3225,
Remote 100.100.100.1:65480
  Data connection: Local 200.200.200.1:3225, Remote
100.100.100.1:65482
  18 Attempts for active connections, 2 close of
connections
TCP Parameters
  Path MTU 3000 bytes
  Current retransmission timeout is 200 ms
  Round trip time: Smoothed 5 ms, Variance: 6
Advertized window: Current: 118 KB, Maximum: 118
KB, Scale: 1
Peer receive window: Current: 118 KB, Maximum: 118
KB, Scale: 1
  Congestion window: Current: 10 KB, Slow start
threshold: 112 KB
  5 minutes input rate 136 bits/sec, 17 bytes/sec, 0
frames/sec
  5 minutes output rate 136 bits/sec, 17 bytes/sec,
0 frames/sec
  4189 frames input, 391368 bytes
    4183 Class F frames input, 390668 bytes
    6 Class 2/3 frames input, 700 bytes
    0 Error frames timestamp error 0
  4189 frames output, 390140 bytes
    4183 Class F frames output, 389404 bytes
    6 Class 2/3 frames output, 736 bytes
    0 Error frames 0 reass frames

fcip2 is trunking
Hardware is GigabitEthernet
Port WWN is 20:46:00:0c:30:6c:24:40
Peer port WWN is 20:c6:00:05:30:00:7a:de
Admin port mode is auto, trunk mode is auto
Port mode is TE
vsan is 1
Belongs to port-channel 2
Trunk vsans (allowed active) (600-601)
Trunk vsans (operational) (600-601)
Trunk vsans (up) (600-601)
Trunk vsans (isolated) ()
Trunk vsans (initializing) ()
Using Profile id 201 (interface GigabitEthernet2/2)
Peer Information
Peer Internet address is 100.100.100.5 and port is
3225
Special Frame is disabled
Maximum number of TCP connections is 2
Time Stamp is disabled
QOS control code point is 0
QOS data code point is 0
B-port mode disabled
TCP Connection Information
  2 Active TCP connections
```

```
Control connection: Local 200.200.200.5:3225,
Remote 100.100.100.5:65531
Data connection: Local 200.200.200.5:3225, Remote
100.100.100.5:65533
498 Attempts for active connections, 0 close of
connections
TCP Parameters
Path MTU 3000 bytes
Current retransmission timeout is 200 ms
Round trip time: Smoothed 10 ms, Variance: 5
Advertized window: Current: 118 KB, Maximum: 118
KB, Scale: 1
Peer receive window: Current: 118 KB, Maximum: 118
KB, Scale: 1
Congestion window: Current: 8 KB, Slow start
threshold: 112 KB
5 minutes input rate 0 bits/sec, 0 bytes/sec, 0
frames/sec
5 minutes output rate 0 bits/sec, 0 bytes/sec, 0
frames/sec
8 frames input, 1228 bytes
8 Class F frames input, 1228 bytes
0 Class 2/3 frames input, 0 bytes
0 Error frames timestamp error 0
8 frames output, 1232 bytes
8 Class F frames output, 1232 bytes
0 Class 2/3 frames output, 0 bytes
0 Error frames 0 reass frames

canterbury# sh int port 2

port-channel 2 is trunking
Hardware is Fibre Channel
Port WWN is 24:02:00:0c:30:6c:24:40
Admin port mode is auto, trunk mode is auto
Port mode is TE
Port vsan is 1
Speed is 2 Gbps
Trunk vsans (admin allowed and active) (600-601)
Trunk vsans (up) (600-601)
Trunk vsans (isolated) ()
Trunk vsans (initializing) ()
5 minutes input rate 120 bits/sec, 15 bytes/sec, 0
frames/sec
5 minutes output rate 120 bits/sec, 15 bytes/sec, 0
frames/sec
4213 frames input, 394068 bytes
4207 Class F frames input, 393368 bytes
6 Class 2/3 frames input, 700 bytes
0 Error frames timestamp error 0
4213 frames output, 392844 bytes
4207 Class F frames output, 392108 bytes
6 Class 2/3 frames output, 736 bytes
0 Error frames 0 reass frames
Member[1] : fcip1
Member[2] : fcip2

canterbury# sh ips ip route interface gig 2/1

Codes: C - connected, S - static
No default gateway

S 100.100.100.0/30 via 200.200.200.2, GigabitEthernet2/1
C 200.200.200.0/30 is directly connected,
```

```
GigabitEthernet2/1

canterbury# sh ips ip route interface gig 2/2

Codes: C - connected, S - static
No default gateway

S 100.100.100.4/30 via 200.200.200.6, GigabitEthernet2/2
C 200.200.200.4/30 is directly connected,
GigabitEthernet2/2

canterbury# sh fcns da

VSAN 600:
-----
FCID      TYPE  PWWN                                (VENDOR)  FC4-
TYPE:FEATURE
-----
0x010001  N     10:00:00:00:c9:32:a6:e3  (Emulex)  scsi-
fcf:init
0x020001  N     50:05:07:63:00:d0:94:4c  (IBM)     scsi-
fcf:target fc..

Total number of entries = 2

VSAN 601:
-----
FCID      TYPE  PWWN                                (VENDOR)  FC4-
TYPE:FEATURE
-----
0x010100  N     10:00:00:00:00:05:00:00
0x020100  N     10:00:00:00:00:01:00:00
!--- Always verify that the fabric has formed with the
expected neighbor(s) !--- through FCIP E or TE port when
the configuration is completed.
```

特殊帧配置(Bison)

```
!--- Special frames are used to improve security. !---
Before user-data is transmitted across an FCIP tunnel,
FSF verifies that !--- the peer is defined on the
configured wwn. interface fcip1 channel-group 1 force no
shutdown use-profile 1 peer-info ipaddr 200.200.200.1
special-frame peer-wwn 20:00:00:0c:30:6c:24:40 profile-
id 200

interface fcip2
channel-group 1 force
no shutdown
use-profile 2
peer-info ipaddr 200.200.200.5
special-frame peer-wwn 20:00:00:0c:30:6c:24:40 profile-
id 201

!--- The peer-wwn is derived from the peer MDS by
issuing the following command: canterbury# sh wwn switch

Switch WWN is 20:00:00:0c:30:6c:24:40
```

!--- This value is significant per peer switch, so it is used for all tunnels !--- towards this switch. This configuration shows the following: bison# **sh int fcip 1-**

2

fcip1 is trunking

Hardware is GigabitEthernet

Port WWN is 20:c2:00:05:30:00:7a:de

Peer port WWN is 20:42:00:0c:30:6c:24:40

Admin port mode is auto, trunk mode is on

Port mode is TE

vsan is 1

Belongs to port-channel 1

Trunk vsans (allowed active) (600-601)

Trunk vsans (operational) (600-601)

Trunk vsans (up) (600-601)

Trunk vsans (isolated) ()

Trunk vsans (initializing) ()

Using Profile id 1 (interface GigabitEthernet4/1)

Peer Information

Peer Internet address is 200.200.200.1 and port is 3225

Special Frame is enabled

Peer switch WWN is 20:00:00:0c:30:6c:24:40

Peer profile id is 200

Maximum number of TCP connections is 2

Time Stamp is disabled

QOS control code point is 0

QOS data code point is 0

B-port mode disabled

TCP Connection Information

2 Active TCP connections

Control connection: Local 100.100.100.1:65372,
Remote 200.200.200.1:3225

Data connection: Local 100.100.100.1:65374, Remote
200.200.200.1:3225

82 Attempts for active connections, 9 close of
connections

TCP Parameters

Path MTU 3000 bytes

Current retransmission timeout is 200 ms

Round trip time: Smoothed 2 ms, Variance: 1

Advertized window: Current: 118 KB, Maximum: 118

KB, Scale: 1

Peer receive window: Current: 118 KB, Maximum: 118

KB, Scale: 1

Congestion window: Current: 106 KB, Slow start
threshold: 118 KB

5 minutes input rate 46128 bits/sec, 5766
bytes/sec, 19 frames/sec

5 minutes output rate 194867736 bits/sec, 24358467
bytes/sec, 20732 frames/sec

5841 frames input, 1729836 bytes

4575 Class F frames input, 429444 bytes

1266 Class 2/3 frames input, 1300392 bytes

0 Error frames timestamp error 0

6339146 frames output, 7447938520 bytes

4576 Class F frames output, 431800 bytes

6334570 Class 2/3 frames output, 7447506720

bytes

0 Error frames 0 reass frames

fcip2 is trunking

Hardware is GigabitEthernet

```
Port WWN is 20:c6:00:05:30:00:7a:de
Peer port WWN is 20:46:00:0c:30:6c:24:40
Admin port mode is auto, trunk mode is on
Port mode is TE
vsan is 1
Belongs to port-channel 1
Trunk vsans (allowed active) (600-601)
Trunk vsans (operational) (600-601)
Trunk vsans (up) (600-601)
Trunk vsans (isolated) ()
Trunk vsans (initializing) ()
Using Profile id 2 (interface GigabitEthernet4/2)
Peer Information
  Peer Internet address is 200.200.200.5 and port is
3225
Special Frame is enabled
Peer switch WWN is 20:00:00:0c:30:6c:24:40
Peer profile id is 201
Maximum number of TCP connections is 2
Time Stamp is disabled
QOS control code point is 0
QOS data code point is 0
B-port mode disabled
TCP Connection Information
  2 Active TCP connections
  Control connection: Local 100.100.100.5:3225,
Remote 200.200.200.5:64535
  Data connection: Local 100.100.100.5:3225, Remote
200.200.200.5:64537
  58 Attempts for active connections, 1 close of
connections
  TCP Parameters
    Path MTU 3000 bytes
    Current retransmission timeout is 200 ms
    Round trip time: Smoothed 2 ms, Variance: 1
    Advertized window: Current: 118 KB, Maximum: 118
KB, Scale: 1
    Peer receive window: Current: 118 KB, Maximum: 118
KB, Scale: 1
    Congestion window: Current: 106 KB, Slow start
threshold: 112 KB
    5 minutes input rate 0 bits/sec, 0 bytes/sec, 0
frames/sec
    5 minutes output rate 0 bits/sec, 0 bytes/sec, 0
frames/sec
    415 frames input, 398160 bytes
      16 Class F frames input, 2460 bytes
      399 Class 2/3 frames input, 395700 bytes
      0 Error frames timestamp error 0
    6078322 frames output, 7147327176 bytes
      16 Class F frames output, 2460 bytes
      6078306 Class 2/3 frames output, 7147324716
bytes
      0 Error frames 0 reass frames
```

特殊帧配置(Canterbury)

```
interface fcip1
channel-group 2 force
no shutdown
use-profile 200
peer-info ipaddr 100.100.100.1
special-frame peer-wwn 20:00:00:05:30:00:7a:de profile-
```

id 1

```
interface fcip2
channel-group 2 force
no shutdown
use-profile 201
peer-info ipaddr 100.100.100.5
special-frame peer-wwn 20:00:00:05:30:00:7a:de profile-
id 2
```

canterbury# **sh int fcip 1**

```
fcip1 is trunking
  Hardware is GigabitEthernet
  Port WWN is 20:42:00:0c:30:6c:24:40
  Peer port WWN is 20:c2:00:05:30:00:7a:de
  Admin port mode is auto, trunk mode is auto
  Port mode is TE
  vsan is 1
  Belongs to port-channel 2
  Trunk vsans (allowed active) (600-601)
  Trunk vsans (operational) (600-601)
  Trunk vsans (up) (600-601)
  Trunk vsans (isolated) ()
  Trunk vsans (initializing) ()
  Using Profile id 200 (interface GigabitEthernet2/1)
  Peer Information
    Peer Internet address is 100.100.100.1 and port is
3225
```

Special Frame is enabled

Peer switch WWN is 20:00:00:05:30:00:7a:de

Peer profile id is 1

Maximum number of TCP connections is 2

Time Stamp is disabled

QOS control code point is 0

QOS data code point is 0

B-port mode disabled

TCP Connection Information

2 Active TCP connections

Control connection: Local 200.200.200.1:3225,

Remote 100.100.100.1:65372

Data connection: Local 200.200.200.1:3225, Remote
100.100.100.1:65374

2 Attempts for active connections, 0 close of
connections

TCP Parameters

Path MTU 3000 bytes

Current retransmission timeout is 200 ms

Round trip time: Smoothed 2 ms, Variance: 1

Advertized window: Current: 118 KB, Maximum: 118

KB, Scale: 1

Peer receive window: Current: 118 KB, Maximum: 118

KB, Scale: 1

Congestion window: Current: 10 KB, Slow start

threshold: 112 KB

5 minutes input rate 94347400 bits/sec, 11793425
bytes/sec, 10031 frames/sec

5 minutes output rate 144 bits/sec, 18 bytes/sec,
0 frames/sec

3985861 frames input, 4685834196 bytes

219 Class F frames input, 25228 bytes

3985642 Class 2/3 frames input, 4685808968 bytes

0 Error frames timestamp error 0

1043 frames output, 866780 bytes

```
218 Class F frames output, 23448 bytes
825 Class 2/3 frames output, 843332 bytes
0 Error frames 0 reass frames
```

```
canterbury# sh int fcip 2
```

```
fcip2 is trunking
Hardware is GigabitEthernet
Port WWN is 20:46:00:0c:30:6c:24:40
Peer port WWN is 20:c6:00:05:30:00:7a:de
Admin port mode is auto, trunk mode is auto
Port mode is TE
vsan is 1
Belongs to port-channel 2
Trunk vsans (allowed active) (600-601)
Trunk vsans (operational) (600-601)
Trunk vsans (up) (600-601)
Trunk vsans (isolated) ()
Trunk vsans (initializing) ()
Using Profile id 201 (interface GigabitEthernet2/2)
Peer Information
Peer Internet address is 100.100.100.5 and port is
3225
Special Frame is enabled
Peer switch WWN is 20:00:00:05:30:00:7a:de
Peer profile id is 2
Maximum number of TCP connections is 2
Time Stamp is disabled
QOS control code point is 0
QOS data code point is 0
B-port mode disabled
TCP Connection Information
2 Active TCP connections
Control connection: Local 200.200.200.5:64535,
Remote 100.100.100.5:3225
Data connection: Local 200.200.200.5:64537, Remote
100.100.100.5:3225
500 Attempts for active connections, 0 close of
connections
TCP Parameters
Path MTU 3000 bytes
Current retransmission timeout is 300 ms
Round trip time: Smoothed 10 ms, Variance: 5
Advertized window: Current: 118 KB, Maximum: 118
KB, Scale: 1
Peer receive window: Current: 118 KB, Maximum: 118
KB, Scale: 1
Congestion window: Current: 8 KB, Slow start
threshold: 118 KB
5 minutes input rate 94399712 bits/sec, 11799964
bytes/sec, 10034 frames/sec
5 minutes output rate 0 bits/sec, 0 bytes/sec, 0
frames/sec
9769115 frames input, 11486944196 bytes
16 Class F frames input, 2460 bytes
9769099 Class 2/3 frames input, 11486941736
bytes
0 Error frames timestamp error 0
415 frames output, 398160 bytes
16 Class F frames output, 2460 bytes
399 Class 2/3 frames output, 395700 bytes
0 Error frames 0 reass frames
```

从Bison和Canterbury - Canterbury被动显示


```
interface fcip1
channel-group 2 force
no shutdown
use-profile 200
passive-mode
peer-info ipaddr 100.100.100.1
special-frame peer-wwn 20:00:00:05:30:00:7a:de profile-
id 1
```

```
interface fcip2
channel-group 2 force
no shutdown
use-profile 201
passive-mode
peer-info ipaddr 100.100.100.5
special-frame peer-wwn 20:00:00:05:30:00:7a:de profile-
id 2
```

```
canterbury# sh ips stats tcp int gig 2/1
```

```
TCP Statistics for port GigabitEthernet2/1
  Connection Stats
    20 active openings, 14 accepts
    14 failed attempts, 0 reset received, 14
  established
  Segment stats
    12042719 received, 3181301 sent, 0 retransmitted
    0 bad segments received, 0 reset sent
```

```
TCP Active Connections
  Local Address      Remote Address      State
Send-Q  Recv-Q
  200.200.200.1:3225 100.100.100.1:65368 ESTABLISH
0        0
  200.200.200.1:3225 100.100.100.1:65370 ESTABLISH
0        0
  200.200.200.1:3225 100.100.100.1:65372 TIME_WAIT
0        0
  200.200.200.1:3225 0.0.0.0:0          LISTEN
0        0
```

!--- Both FCIP interfaces for Canterbury are configured to be passive; this !--- results in the above TCP statistics where Canterbury, despite being !--- configured with the highest IP addresses for both tunnels, did not !--- initiate the TCP connections. Its peer, Bison, initiates.

```
canterbury# sh ips stats tcp int gig 2/2
```

```
TCP Statistics for port GigabitEthernet2/2
  Connection Stats
    500 active openings, 4 accepts
    498 failed attempts, 0 reset received, 6
  established
  Segment stats
    11933351 received, 3144627 sent, 0 retransmitted
    0 bad segments received, 0 reset sent
```

```
TCP Active Connections
  Local Address      Remote Address      State
Send-Q  Recv-Q
```

```

200.200.200.5:3225 100.100.100.5:65415 ESTABLISH
0 0
200.200.200.5:3225 100.100.100.5:65417 ESTABLISH
0 0
200.200.200.5:64535 100.100.100.5:3225 TIME_WAIT
0 0
200.200.200.5:3225 0.0.0.0:0 LISTEN
0 0

```

从Bison和Canterbury显示 — 时间戳设置

!--- FCIP Time Stamp is enabled to allow the peer to drop FCIP userdata if it !--- exceeds the specified time-difference. The time difference is the maximum !--- value in transit of user data frames between two peer FCIP entities. bison(config-if)# **time-stamp acceptable-diff 1000**

Please enable NTP with a common time source on both MDS Switches that are on either side of the FCIP link

!--- Note that the value specified is in milliseconds and, because a !--- time difference is specified, both ends of the FCIP tunnel must have access !--- to the same clock source through NTP. interface fcip1 channel-group 1 force no shutdown use-profile 1 peer-info ipaddr 200.200.200.1 **time-stamp acceptable-diff 1000** special-frame peer-wnn 20:00:00:0c:30:6c:24:40 profile-id 200

```

interface fcip2
channel-group 1 force
no shutdown
use-profile 2
peer-info ipaddr 200.200.200.5
time-stamp acceptable-diff 1000
special-frame peer-wnn 20:00:00:0c:30:6c:24:40 profile-
id 201

```

```
bison# sh int fcip 1
```

```

fcip1 is trunking
  Hardware is GigabitEthernet
  Port WWN is 20:c2:00:05:30:00:7a:de
  Peer port WWN is 20:42:00:0c:30:6c:24:40
  Admin port mode is auto, trunk mode is on
  Port mode is TE
  vsan is 1
  Belongs to port-channel 1
  Trunk vsans (allowed active) (600-601)
  Trunk vsans (operational) (600-601)
  Trunk vsans (up) (600-601)
  Trunk vsans (isolated) ()
  Trunk vsans (initializing) ()
  Using Profile id 1 (interface GigabitEthernet4/1)
  Peer Information
    Peer Internet address is 200.200.200.1 and port is
3225
    Special Frame is enabled
    Peer switch WWN is 20:00:00:0c:30:6c:24:40
    Peer profile id is 200
    Maximum number of TCP connections is 2

```

```
Time Stamp is enabled, acceptable time difference
1000 ms
  QOS control code point is 0
  QOS data code point is 0
  B-port mode disabled
TCP Connection Information
  2 Active TCP connections
  Control connection: Local 100.100.100.1:65368,
Remote 200.200.200.1:3225
  Data connection: Local 100.100.100.1:65370, Remote
200.200.200.1:3225
  84 Attempts for active connections, 10 close of
connections
  TCP Parameters
    Path MTU 3000 bytes
    Current retransmission timeout is 200 ms
    Round trip time: Smoothed 2 ms, Variance: 3
    Advertized window: Current: 118 KB, Maximum: 118
KB, Scale: 1
    Peer receive window: Current: 118 KB, Maximum: 118
KB, Scale: 1
    Congestion window: Current: 10 KB, Slow start
threshold: 118 KB
    5 minutes input rate 0 bits/sec, 0 bytes/sec, 0
frames/sec
    5 minutes output rate 0 bits/sec, 0 bytes/sec, 0
frames/sec
    5988 frames input, 1743840 bytes
      4719 Class F frames input, 443184 bytes
      1269 Class 2/3 frames input, 1300656 bytes
      0 Error frames timestamp error 0
    15337275 frames output, 18028320932 bytes
      4720 Class F frames output, 445544 bytes
      15332555 Class 2/3 frames output, 18027875388
bytes
      0 Error frames 0 reass frames

canterbury(config-if)# time-stamp acceptable-diff 1000

Please enable NTP with a common time source on both MDS
Switches that are on
either side of the FCIP link

interface fcip1
channel-group 2 force
no shutdown
use-profile 200
passive-mode
peer-info ipaddr 100.100.100.1
time-stamp acceptable-diff 1000
special-frame peer-wnn 20:00:00:05:30:00:7a:de profile-
id 1

interface fcip2
channel-group 2 force
no shutdown
use-profile 201
passive-mode
peer-info ipaddr 100.100.100.5
time-stamp acceptable-diff 1000
special-frame peer-wnn 20:00:00:05:30:00:7a:de profile-
id 2

canterbury# sh int fcip 1
```

```
fcip1 is trunking
  Hardware is GigabitEthernet
  Port WWN is 20:42:00:0c:30:6c:24:40
  Peer port WWN is 20:c2:00:05:30:00:7a:de
  Admin port mode is auto, trunk mode is auto
  Port mode is TE
  vsan is 1
  Belongs to port-channel 2
  Trunk vsans (allowed active) (600-601)
  Trunk vsans (operational) (600-601)
  Trunk vsans (up) (600-601)
  Trunk vsans (isolated) ()
  Trunk vsans (initializing) ()
  Using Profile id 200 (interface GigabitEthernet2/1)
  Peer Information
    Peer Internet address is 100.100.100.1 and port is
3225
    Passive mode is enabled
    Special Frame is enabled
    Peer switch WWN is 20:00:00:05:30:00:7a:de
    Peer profile id is 1
    Maximum number of TCP connections is 2
    Time Stamp is enabled, acceptable time difference
1000 ms
    QOS control code point is 0
    QOS data code point is 0
    B-port mode disabled
  TCP Connection Information
    2 Active TCP connections
    Control connection: Local 200.200.200.1:3225,
Remote 100.100.100.1:65368
    Data connection: Local 200.200.200.1:3225, Remote
100.100.100.1:65370
    2 Attempts for active connections, 0 close of
connections
  TCP Parameters
    Path MTU 3000 bytes
    Current retransmission timeout is 200 ms
    Round trip time: Smoothed 6 ms, Variance: 6
    Advertized window: Current: 118 KB, Maximum: 118
KB, Scale: 1
    Peer receive window: Current: 118 KB, Maximum: 118
KB, Scale: 1
    Congestion window: Current: 10 KB, Slow start
threshold: 112 KB
    5 minutes input rate 0 bits/sec, 0 bytes/sec, 0
frames/sec
    5 minutes output rate 0 bits/sec, 0 bytes/sec, 0
frames/sec
    9427366 frames input, 11084654892 bytes
    295 Class F frames input, 32716 bytes
    9427071 Class 2/3 frames input, 11084622176
bytes
    145359 Error frames timestamp error 145359
    1122 frames output, 874528 bytes
    294 Class F frames output, 30932 bytes
    828 Class 2/3 frames output, 843596 bytes
    0 Error frames 0 reass frames
```

[相关信息](#)

- [T11 主页](#)
- [TCP空闲后缓慢启动重新启动中的问题](#)
- [RFC 1191 — 路径MTU发现](#)
- [RFC 1323 — 用于高性能的TCP扩展](#)
- [RFC 2018 - TCP选择性确认选项](#)
- [RFC 2883 - TCP选择性确认\(SACK\)选项的扩展](#)
- [RFC 3821 - 基于 TCP/IP 的光纤通道 \(FCIP\)](#)
- [技术支持和文档 - Cisco Systems](#)