



The bridge to possible

UCS X-Series M7 X-Direct Xccelerate Offer Ordering Guide

Introduction

Cisco UCS X-Series Direct transforms the Cisco UCS X-Series Modular System into a self-contained system with pair of internal Cisco UCS Fabric Interconnects 9108 100G that integrate each of up to eight server nodes with Cisco unified fabric connectivity, upstream IP and Fibre Channel connectivity, all managed through Cisco Intersight or the time-proven Cisco UCS Manager.

The Cisco UCS X-Series Direct is designed to shift your thinking from administrative details to business outcomes-with infrastructure that is assembled from the cloud, shaped to your workloads, and continuously optimized. Now that hardware can think and change like software, you are free to think like tomorrow. This brings about immense simplification to edge applications:

- **Simplify with cloud-operated infrastructure:** By shaping system resources to workload requirements with Cisco Intersight, you can deliver intelligent visualization, optimization, and orchestration to all your applications and infrastructure.
- **Simplify with an adaptable platform:** Edge applications have widely varying requirements. At the edge, you can use a single platform that combines the density and efficiency of blade servers with the expandability of rack servers for better performance, automation, and efficiency.
- **Simplify with a system engineered for the future:** Embrace emerging technology and reduce risk with a modular system engineered to support future generations of processor, accelerator, and interconnects with management enabled by a constant stream of new capabilities delivered as Software-as-a-Service (SaaS).

Purpose, Audience, and Scope

Purpose

This document describes how to order the UCS X-Series M7 X-Direct Xccelerate Offer.

Scope

This ordering guide describes the information for:

- Ordering Structure of Cisco UCS X-Series M7 X-Direct Xccelerate Offer
- Catalog of Product IDs
- Ordering Server Hardware and Software options
- Links to additional resources

Audience

Buy Method Through Cisco (Eg: Direct Customer & Tier 1 Partners):

- Scenario 1: Customer Without Enterprise Agreement for Cisco Intersight Software License
- Scenario 2: Customer With Enterprise Agreement for Cisco Intersight Software License

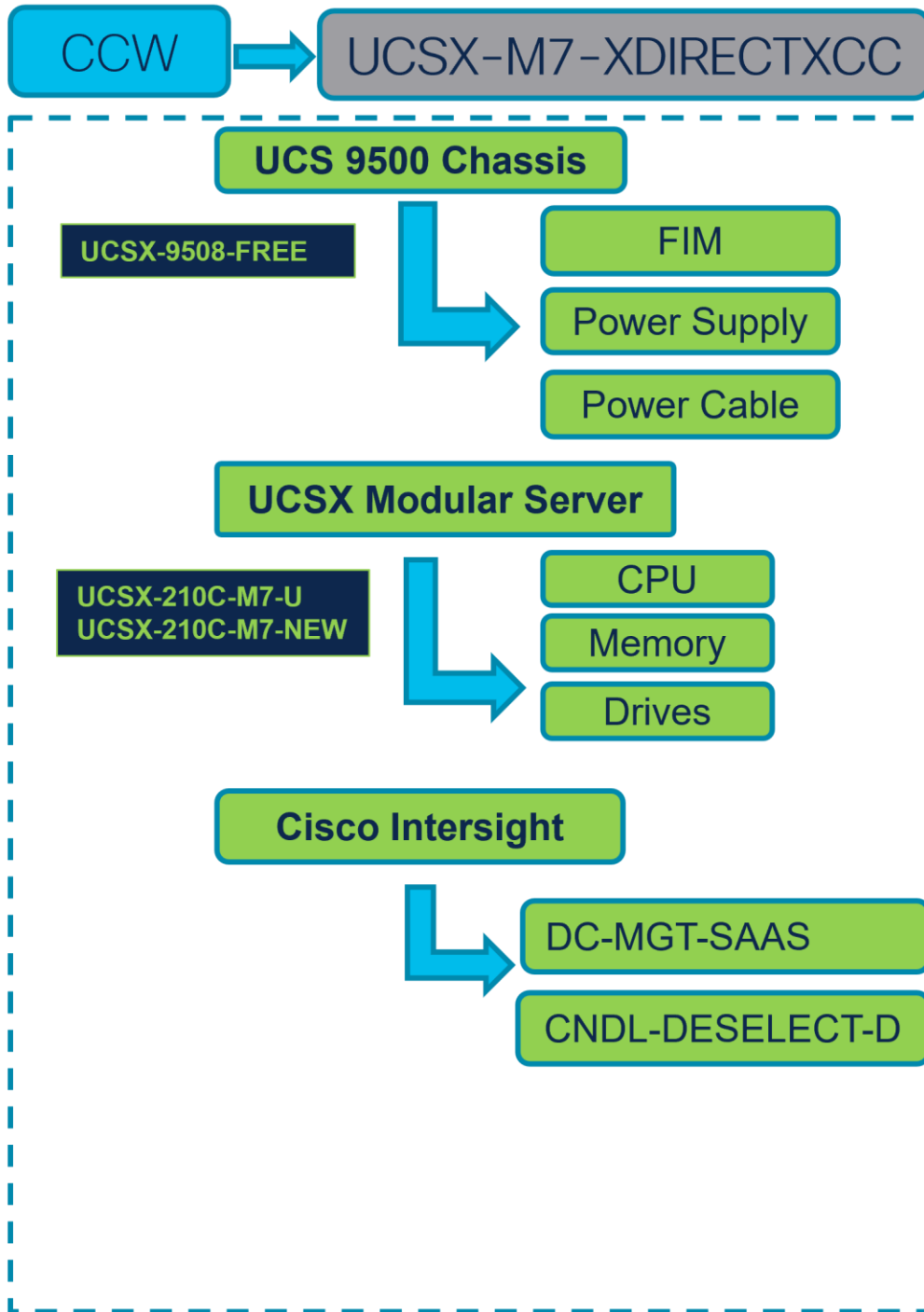
Buy Method Through Distributor (Eg: Tier 1 & Tier 2 Partners):

- Scenario 1: Customer Without Enterprise Agreement for Cisco Intersight Software License
- Scenario 2: Customer With Enterprise Agreement for Cisco Intersight Software License

Ordering Structure of UCS X-Series M7 X-Direct Xccelerate Offer

UCS X-Series M7 X-Direct Xccelerate Offer Ordering Structure

***Products Not available to order standalone. Can be ordered only under MLB**



Catalog of Product IDs (PIDs)

Note: For a complete list of part numbers for the see the Cisco [Cisco UCS Fabric Interconnect 9108 100G Spec Sheet](#), [Cisco UCS X9508 Chassis Spec Sheet](#) and [Cisco UCS X210c M7 Compute Node Spec Sheet](#)

Table 1. PID of Major Line Bundle (MLB)

Product ID (PID)	Description
UCSX-M7-XDIRECTXCC	UCS-X M7 X-Direct XCcelerate Offer Subject to approval

Table 2. Cisco Compute Hyperconverged Chassis Major Line PIDs

Product ID (PID)	Description
UCSX-9508-FREE	Cisco UCS 9508 Chassis Configured

Table 3. Cisco Compute Hyperconverged Server node Major Line PIDs

Product ID (PID)	Description
UCSX-210C-M7-U (Paid Node)	Cisco UCS X210c M7 Compute Node 2S Intel 4th Gen CPU without CPU, memory, drive bays, drives, VIC adapter, or mezzanine adapters (Paid Node)
UCSX-210C-M7-NEW (Free Node)	Cisco UCS X210c M7 Compute Node 2S Intel 4th Gen CPU without CPU, memory, drive bays, drives, VIC adapter, or mezzanine adapters (Free Node)

Table 4. Cisco Intersight Major Line PIDs

Product ID (PID)	Description
DC-MGT-SAAS	Cisco Intersight SaaS
CNDL-DESELECT-D	Conditional Deselect

Step By Step Ordering Process

Buy Method Through Cisco (Eg: Direct Customer & Tier 1 Partners)

Scenario 1: Customer Without Enterprise Agreement for Cisco Intersight Software License

Step 1.

CCW → UCSX-M7-XDIRECTXCC ← a

Add by SKU Description and Product Family 1 Add

Lines View Apply Success Track Manage Groups Remove Selected Lines More Actions ▾ Zero List Price Items Hide Show Search Estimate Line Items

Hardware, Software and Services	Estimated Lead Time (Days)	Unit List Price (USD)	Qty	Unit Net Price (USD)	Discounts (%)	Extended Net Price (USD)
1.0 UCSX-M7-XDIRECTXCC Invalid as of 03-Jun-2024 02:42:20 PDT UCS-X M7 X-Direct XAccelerate Offer Subject to approval	Not Applicable	0.00	1	0.00	0.00	0.00

b Select Options Validate Recommended Content Add Note Add Subtotal Copy Remove Line Additional Details ▾

- In CCW, search for MLB PID and click on “Add”
- Click on “Select Options” to enter the configurator.

Step 2.

UCS 9500 Chassis

Bundle Configuration UCSX-M7-XDIRECTXCC Estimated Lead Time 21 days Price Global Total 7,074.36

UCSX-9508-FREE

Set service preferences for this configuration ▾ Cancel Done

1: CISCO INTERSIGHT requires a minimum of 1 component(s). Please add additional quantities as necessary. (CE202020)
 2: The category CISCO INTERSIGHT is required. (CE100103)
 3: Please note that you are using a promotional PID which is available ONLY IF qualified for the 'UCS X-Series X'. Please review Sales Connect, contact your Cisco Account Manager or reach out to ask-ucsx@external.cisco.com. We encourage you NOT to book this PID if you do not qualify. Order will be on hold after booking to check for eligibility. (CE202322)

Product	Unit List Price (USD)	Adjusted List Price (USD)	Qty	Extended List Price (USD)
UCSX 9500 CHASSIS				
UCSX-9508-FREE Invalid UCS 9508 Free Chassis		4,581.88	1	8,718.46
UCSX MODULAR SERVER (Min 6, Max 8)				
UCSX-210C-M7-U Invalid UCS X210c M7 Compute Node 2S w/o CPU, Mem, Drv, Mezz		7,455.38	5	37,276.90
UCSX-210C-M7-NEW Invalid UCS X210c M7 R2L Free Compute Node 2S w/o CPU, Mem, Drv, Mezz		1,079.00	1	1,079.00

Available Components Unit List Price (USD)

- UCSX 9500 CHASSIS 0.30
- UCSX MODULAR SERVER
- CISCO INTERSIGHT

UCSX 9500 CHASSIS > 1 Selected (Min 1, Max 1)

CISCO INTERSIGHT > 0 Selected (Min 1, Max 1)

- Free Chassis: UCSX-9508-FREE is preselected and can only be selected with 1 QTY
- Notice the UCSX-9508-FREE ATO Status is invalid as further configuration needed.
- Click on “Edit Options” to enter the configurator.

Step 3.

Product Configuration
UCSX-9508-FREE part of UCSX-M7-XDIRECTXCC

Estimated Lead Time
21 days

Total (USD)
8,273.46

1: The quantity of Power Cable must be equal to the quantity of UCSX-9508-FREE. (CE200050)

2: Please note that this order will be placed on a Compliance Hold. Please reach out to sac-support@cisico.com to request eligibility check. (CE202322)

3: Use Power Calculator to determine the correct power supply. The Power Calculator can be found at <http://ucspowercalc.cisco.com>

4: UCSX-S9108-SW is defaulted under Software License. (CE100033)

Configuration Summary

Category	Qty	Extended List Price (USD)
Fabric Interconnect Module		
UCSX-S9108-100G	2	0.00
UCSX-S9108-SW	2	8,273.16
Power		
UCSX-PSU-2800AC-D	6	0.00
Accessory		
UCSX-C-DEBUGCBL-D	1	0.00
UCSX SW		
UCSX-CHASSIS-SW-D	1	0.00
Total		8,273.46
Estimated Lead Time		21 days

Option Search Multiple Options Search

UCSX-9508-FREE Power

SKU	Qty	Estimated Lead Time	Unit List Price (USD)
<input type="radio"/> NO-POWER-CORD ECO friendly green option, no power cable will be shipped. More	6	3 days	0.00
<input type="radio"/> CAB-AC-2500W-EU SNP*** Power Cord, 250Vac 16A, Europe	6	8 days	0.00
<input type="radio"/> CAB-AC-2500W-INT Power Cord, 250Vac 16A, INTL	6	8 days	0.00
<input type="radio"/> CAB-C19-CBN Cabinet Jumper Power Cord, 250 VAC 16A, C20-C19 Connectors	6	14 days	0.00
<input type="radio"/> CAB-AC-C6K-TWLK SNP*** Power Cord, 250Vac 16A, twist lock NEMA L6-20 plug, US	6	8 days	0.00

Reset Configuration Cancel Done

- Pair of Fabric Interconnect Module and Power Supply are auto-included for free in the configuration and Software License: UCSX-S9108-SW is preselected at price.
- Configure UCSX-9508-FREE by selecting Power Cable from category window on the left.
- Click on "Done"

Step 4.

Bundle Configuration
UCSX-M7-XDIRECTXCC

Estimated Lead Time
21 days

Price List
Global Price List (USD)

Total
47,074.36

Set service preferences for this configuration

1: CISCO INTERSIGHT requires a minimum of 1 component(s). Please add additional quantities as necessary. (CE100010)

2: The category CISCO INTERSIGHT is required. (CE100103)

3: Please note that you are using a promotional PID which is available ONLY IF qualified for the 'UCS X-Series X-Direct Xccelerate' Program. For details on the program, PIs review Sales Connect, contact your Cisco Account Manager or reach out to ask-ucsx@external.cisco.com. We encourage you NOT to book this PID if you do not qualify. Order will be on hold after booking to check for eligibility. (CE202322)

Available Components

Product	Unit List Price (USD)
UCSX 9500 CHASSIS	0.30
UCSX-9508-FREE UCS 9508 Free Chassis 0 required Estimated Lead Time: --	
UCSX MODULAR SERVER	
CISCO INTERSIGHT	

UCSX 9500 CHASSIS > 1 Selected (Min 1, Max 1)

Product	Unit List Price (USD)	Adjusted List Price (USD)	Qty	Extended List Price (USD)
UCSX-9508-FREE Valid UCS 9508 Free Chassis Add Custom Name Edit Options Edit Services/Subscriptions Remove Line	4,581.88		1	8,718.46

UCSX MODULAR SERVER > 6 Selected (Min 6, Max 8)

Product	Unit List Price (USD)	Adjusted List Price (USD)	Qty	Extended List Price (USD)
UCSX-210C-M7-UJ Invalid UCS X210c M7 Compute Node 2S w/o CPU, Mem, Drv, Mezz Add Custom Name Edit Options Edit Services/Subscriptions Remove Line	7,455.38		5	37,276.90
UCSX-210C-M7-NEW Invalid UCS X210c M7 R2L Free Compute Node 2S w/o CPU, Mem, Drv, Mezz Add Custom Name Edit Options Edit Services/Subscriptions Remove Line	1,079.00		1	1,079.00

Add a UCSX MODULAR SERVER from the left panel

CISCO INTERSIGHT > 0 Selected (Min 1, Max 1)

- a. Note Status is now showing as Valid.
- b. Click on “Edit Services/Subscriptions” to edit Term Duration for HW Support.

Note: It is recommended that Term Duration for HW Support must align with Software Subscription Duration.

Step 5.

The screenshot shows the configuration page for 'UCS 9500 Chassis'. At the top, there's a green box with 'UCS 9500 Chassis' and another with 'Services/Subscriptions'. Below, the 'Service Subscription' is 'UCSX-9508-FREE' with a 'Global Price' of 'UCSX-9508-FREE'. A message states: 'The duration that you entered has been successfully applied to all the services. (C0329)'. Under 'Service Options', there's a 'Time Duration' section with a 'Duration' input field containing '36'. A red arrow 'a' points to this field. Below it are 'Reset' and 'Apply' buttons, with a red arrow 'b' pointing to 'Apply'. At the bottom right, there's a 'Configuration Summary' table showing 'Services' with a total price of '1,335.00'. A 'Done' button is also present, with a red arrow 'b' pointing to it.

Service SKU	Product SKU	Unit List Price (USD)	Qty	Total List Price (USD)
Cisco Customer Experience Level 1 (1 ITEM) SERVICE PROGRAM	LINCO (CX LEVEL 1 8X7XNCDOS) SUMMARY			
CON-LINCO-UCSX9508 CX LEVEL 1 8X7XNCDOS UCS 9508 Free Chassis SERVICE SKU	UCSX-9508-FREE UCS 9508 Free Chassis PRODUCT SKU	1,335.00	1	1,335.00

- a. Enter the Term Duration
- b. Click on “Apply” and “Done”

Step 6.

UCSX Modular Server

UCSX-210C-M7-U

CPU

Memory

Drives

Bundle Configuration
UCSX-M7-XDIRECTXCC

Estimated Lead Time
21 days

Global Price List (USD)

Set service preferences for this configuration

1: CISCO INTERSIGHT requires a minimum of 1 component(s). Please add additional quantities as necessary. (CE100010)
2: The category CISCO INTERSIGHT is required. (CE100103)
3: Please note that you are using a promotional PID which is available ONLY IF qualified for the 'UCSX X-Series X-Direct Xcelerate' Program. For details on the program, Pls review Sales Connect, contact your Cisco Account Manager or reach out to ask-ucsx@external.cisco.com. We encourage you NOT to book this PID if you do not qualify. Order will be on hold after booking to check for eligibility. (CE202322)

Available Components

UCSX 9500 CHASSIS

UCSX MODULAR SERVER

UCSX-210C-M7-U
UCS X210c M7 Compute Node 2S w/o CPU, Mem, Drv, Mezz 5 required
Estimated Lead Time: 21 days

UCSX-210C-M7-NEW
UCS X210c M7 R2L Free Compute Node 2S w/o CPU, Mem, Drv, Mezz 1 required
Estimated Lead Time: 21 days

CISCO INTERSIGHT

UCSX 9500 CHASSIS > 1 Selected (Min 1, Max 1)

Product	Unit List Price (USD)	Adjusted List Price (USD)	Qty	Extended List Price (USD)
UCSX-9508-FREE UCS 9508 Free Chassis		5,471.88	1	9,608.46
UCSX MODULAR SERVER > 1 Selected (Min 6, Max 8)				
UCSX-210C-M7-U UCS X210c M7 Compute Node 2S w/o CPU, Mem, Drv, Mezz	7,455.38		5	37,276.90
UCSX-210C-M7-NEW UCS X210c M7 R2L Free Compute Node 2S w/o CPU, Mem, Drv, Mezz	1,079.00		1	1,079.00

Add a UCSX MODULAR SERVER from the left panel

CISCO INTERSIGHT > 0 Selected (Min 1, Max 1)

- Paid Server: UCSX-210C-M7-U is preselected with 5 QTY under MLB and can be selected up to 7 QTY.
- Notice the UCSX-210C-M7-U ATO Status is "invalid" as further configuration needed.
- Click on "Edit Options" to enter the configurator.

Step 7.

UCSX Modular Server

UCSX-210C-M7-U

CPU

Memory

Drives

Product Configuration
UCSX-210C-M7-U part of UCSX-M7-XDIRECTXCC

Estimated Lead Time
21 days

Price List
Global Price List (USD)

1: A selection from Infrastructure and Workload is required. Please adjust the selections. (CE200277)
2: A selection of either UCSX-ML-V5Q50G-D or UCSX-ML-V5D200G-D or UCSX-ML-V5D200GV2D from Rear MEZZ - MLOM/PCI is required. Please adjust the selections. (CE200096)
3: At least 1 selection(s) from Processor 4th Gen or Processor 5th Gen is required. Please make the selection. (CE200375)
4: UCSX-210C-M7-U quantity 1 requires a minimum quantity of 1 from Security Options (CE100012)

Configuration Summary

View Full Summary

Category	Qty	Extended List Price (USD)
Processor 4th Gen	1	6,376.38
Processor 5th Gen		
Memory 4800		
Memory 5600		
Front MEZZ - Controller		
Rear MEZZ - MLOM/PCI		
Storage Drives		
SATA M.2		
NVMe Boot		
Total		6,376.38
Estimated Lead Time		21 days

Reset Configuration

Cancel Done

UCSX-210C-M7-U > Processor 4th Gen

SKU	Qty	Estimated Lead Time	Unit List Price (USD)
UCSX-CPU-I8452Y Intel I8452Y 2GHz/300W 36C/67.5MB DDR5 4800MT/s	Qty	21 days	11,300.22
UCSX-CPU-I8454H Intel I8454H 2.1GHz/270W 32C/82.5MB DDR5 4800MT/s	Qty	21 days	17,571.42
UCSX-CPU-I8458P Intel I8458P 2.7GHz/350W 44C/82.5MB DDR5 4800MT/s	Qty	21 days	18,953.30
UCSX-CPU-I8460H Intel I8460H 2.2GHz/330W 40C/105MB DDR5 4800MT/s	Qty	21 days	27,690.77
UCSX-CPU-I8460Y+ Intel I8460Y+ 2GHz/300W 40C/105MB DDR5 4800MT/s	Qty	21 days	14,783.55

- Configure UCSX-210C-M7-U by selecting peripherals from category window on the left.
- PIDs are listed in the window on the right. Some PIDs like CPUs, Memory and Drives are grouped according to type or series; select from the grouped options located above SKU window on the right.
- Follow warning messages to configure the minimum required option PIDs.
- Click on “Done” when completed.

Step 8.

- Note Status is now showing as “Valid”.
- Increase the quantity for multiples of same configuration.
- Click the “PLUS” to add and configure the same product with different option/quantities or select a different product.

Step 9.

UCSX Modular Server

Bundle Configuration: UCSX-M7-XDIRECTXCC | Estimated Lead Time: 35 days | Price List: Global Price List in US Dollars (USD) | Total: 3,237.00

UCSX-210C-M7-U | **Services/Subscriptions**

1: CISCO INTERSIGHT requires a minimum of 1 component(s). Please add additional quantities as necessary. (CE100010)
 2: The category CISCO INTERSIGHT is required. (CE100103)
 3: Please note that you are using a promotional PID which is available ONLY IF qualified for the 'UCS X-Series X-Direct Xcelerate' Program. For details on the program, PIs review Sales Connect, contact your Cisco Account Manager or reach out to ask-ucsx@external.cisco.com. We encourage you NOT to book this PID if you do not qualify. Order will be on hold after booking to check for eligibility. (CE202322)

Product	Unit List Price (USD)	Adjusted List Price (USD)	Qty	Extended List Price (USD)
UCSX-9508-FREE Valid		5,471.88	1	9,608.46
UCSX-210C-M7-U Valid		19,845.99	5	456,155.70
UCSX-210C-M7-NEW Invalid		1,079.00	1	1,079.00

a. Click on “Edit Services/Subscriptions” to edit Term Duration for HW Support.

Note: It is recommended that Term Duration for HW Support must align with Software Subscription Duration.

Step 10.

UCSX Modular Server

Service Subscription: UCSX-210C-M7-U | Price List: Global Price List in US Dollars (USD) | Service Total: 3,237.00

UCSX-210C-M7-U | **Services/Subscriptions**

You may receive additional discounts because you selected two or more years of service. To review your discounts you can go to the Order or Quoting discount pages. (C0124)

Service Options

Choose Service Level from: All Service Programs

Time Duration: 36

a

b

Service SKU	Product SKU	Unit List Price (USD)	Qty	Total List Price (USD)
Cisco Customer Experience Level 1 (1 ITEM)	L1NCO (CX LEVEL 1 8X7XNCDOS)	3,237.00	1	3,237.00
CON-L1NCO-UCSX023C	UCSX-210C-M7-U		1	

b

a. Enter the Term Duration.

b. Click on “Apply” and “Done”

Step 11.

UCSX Modular Server

UCSX-210C-M7-NEW

CPU

Memory

Drives

Bundle Configuration: UCSX-M7-DIRECTXCC
Estimated Lead Time: 35 days
Global Price List (USD)

Set service preferences for this configuration

1: CISCO INTERSIGHT requires a minimum of 1 component(s). Please add additional quantities as necessary. (CE100010)
2: The category CISCO INTERSIGHT is required. (CE100103)
3: Please note that you are using a promotional PID which is available ONLY IF qualified for the 'UCS X-Series X-Direct Xccelerate' Program. For details on the program, Pls review Sales Connect, contact your Cisco Account Manager or reach out to ask-ucsx@external.cisco.com. We encourage you NOT to book this PID if you do not qualify. Order will be on hold after booking to check for eligibility. (CE202322)

Product	Unit List Price (USD)	Adjusted List Price (USD)	Qty	Extended List Price (USD)
UCSX 9500 CHASSIS > 1 Selected (Min 1, Max 1)				
UCSX-9508-FREE Valid		5,471.88	1	9,608.46
UCSX 9508 Free Chassis				
UCSX MODULAR SERVER > 6 Selected (Min 6, Max 8)				
UCSX-210C-M7-U Valid		22,003.99	5	466,945.70
UCS X210c M7 Compute Node 2S w/o CPU, Mem, Drv, Mezz				
UCSX-210C-M7-NEW Invalid		1,079.00	1	1,079.00
UCS X210c M7 R2L Free Compute Node 2S w/o CPU, Mem, Drv, Mezz				
CISCO INTERSIGHT > 0 Selected (Min 1, Max 1)				

- a. Free Server: UCSX-210C-M7-NEW is preselected and can only be selected with 1 QTY.
- b. Notice the UCSX-210C-M7 -NEW ATO Status is “invalid” as further configuration needed.
- c. Click on “Edit Options” to enter the configurator.

Note: Configuration of at least 5 Paid Servers and 1 Free Server should be identical.

Step 12.

UCSX Modular Server

UCSX-210C-M7-NEW

CPU
Memory
Drives

Product Configuration: UCSX-210C-M7-NEW part of UCSX-M7-XDIRECTXCC
Estimated Lead Time: 21 days
Price List: Global Price List in US Dollars (USD)
Unit List Price (USD): 0.00

Warning Messages:

- 1: A selection from Infrastructure and Workload is required. Please adjust the selections. (CE200277)
- 2: A selection of either UCSX-ML-V5Q50G-D or UCSX-ML-V5D200G-D or UCSX-MLV5D200GV2D from Rear MEZZ - MLOM/PCI is required. Please make the selection. (CE200375)
- 3: At least 1 selection(s) from Processor 4th Gen or Processor 5th Gen is required. Please make the selection. (CE200375)
- 4: Please note that this order will be placed on a Compliance Hold. Please reach out to sac-support@cisco.com to check if this order meets eligibility criteria for hold removal. Note that the order will remain on compliance hold if you do not reach out to sac-support@cisco.com to request eligibility check. (CE202322)

Configuration Summary

Category	Qty	Extended List Price (USD)
Processor 4th Gen		
Processor 5th Gen		
Memory 4800		
Memory 5600		
Front MEZZ - Controller		
Rear MEZZ - MLOM/PCI		
Storage Drives		
SATA M.2		
NVMe Boot		
Total		0.00
Estimated Lead Time		21 days

Options Search | **Multiple Options Search**

UCSX-210C-M7-NEW > Processor 4th Gen

8000 Processor Series 4th Gen | 6000 Processor Series 4th Gen | 5000 Processor Series 4th Gen | 4000 Processor Series 4th Gen | 3000 Processor Series 4th Gen

SKU	Qty	Estimated Lead Time	Unit List Price (USD)
UCSX-CPU-I8452Y Intel I8452Y 2GHz/300W 36C/67.5MB DDR5 4800MT/s	Qty	21 days	0.00
UCSX-CPU-I8454H Intel I8454H 2.1GHz/270W 32C/82.5MB DDR5 4800MT/s	Qty	21 days	0.00
UCSX-CPU-I8458P Intel I8458P 2.7GHz/350W 44C/82.5MB DDR5 4800MT/s	Qty	21 days	0.00
UCSX-CPU-I8460H Intel I8460H 2.2GHz/330W 40C/105MB DDR5 4800MT/s	Qty	21 days	0.00
UCSX-CPU-I8460Y+ Intel I8460Y+ 2GHz/300W 40C/105MB DDR5 4800MT/s	Qty	21 days	0.00

Reset Configuration | Cancel | Done

- Configure UCSX-210C-M7-NEW by selecting peripherals from category window on the left.
- PIDs are listed in the window on the right. Some PIDs like CPUs, Memory and Drives are grouped according to type or series; select from the grouped options located above SKU window on the right.
- Follow warning messages to configure the minimum required option PIDs.
- Click on “Done” when completed.

Step 13.

UCSX Modular Server

UCSX-210C-M7-NEW → **Services/Subscriptions**

Bundle Configuration: UCSX-M7-XDIRECTXCC | Estimated Lead Time: 35 days | Price List: Global Price List (USD) | Total: 477,633.16

Set service preferences for this configuration Cancel Done

1: CISCO INTERSIGHT requires a minimum of 1 component(s). Please add additional quantities as necessary. (CE100010)
2: The category CISCO INTERSIGHT is required. (CE100103)
3: Please note that you are using a promotional PID which is available ONLY IF qualified for the 'UCSX X-Series X-Direct Xccelerate' Program. For details on the program, PIs review Sales Connect, contact your Cisco Account Manager or reach out to ask-ucsx@external.cisco.com. We encourage you NOT to book this PID if you do not qualify. Order will be on hold after booking to check for eligibility. (CE202322)

Available Components	Unit List Price (USD)
UCSX 9500 CHASSIS	
UCSX MODULAR SERVER	
UCSX-210C-M7-U UCS X210c M7 Compute Node 2S w/o CPU, Mem, Drv, Mezz 5 required	6,376.38
UCSX-210C-M7-NEW UCS X210c M7 R2L Free Compute Node 2S w/o CPU, M em, Drv, Mezz 1 required	0.00
CISCO INTERSIGHT	

Product	Unit List Price (USD)	Adjusted List Price (USD)	Qty	Extended List Price (USD)
UCSX 9500 CHASSIS > 1 Selected (Min 1, Max 1)				
UCSX-9508-FREE Valid		5,471.88	1	9,608.46
UCSX MODULAR SERVER > 6 Selected (Min 6, Max 8)				
UCSX-210C-M7-U Valid		22,003.99	5	466,945.70
UCSX-210C-M7-NEW Valid		1,079.00	1	1,079.00

- a. Note Status is now showing as "Valid".
- b. Click on "Edit Services/Subscriptions" to edit Term Duration for HW Support.

Note: It is recommended that Term Duration for HW Support must align with Software Subscription Duration.

Step 14.

UCSX Modular Server

UCSX-210C-M7-NEW → **Services/Subscriptions**

Service Subscription: UCSX-210C-M7-NEW | Price List: Global Price List | Price Total: 37.00

You may receive additional discounts because you selected two or more years of service. To review your discounts you can go to the Order or Quoting discount pages. (C0124)

Service: Non Serviceable Products

The duration that you entered has been successfully applied to all the services. (C0329)

Service Options

Choose Service Level from: All Service Programs

Time Duration: Duration (Selected) | Delay service start to | Co-Term service to

Duration: Reset Apply

Service SKU	Product SKU	Unit List Price (USD)	Qty	Total List Price (USD)
Cisco Customer Experience Level 1 (1 ITEM) SERVICE PROGRAM	L1NCO (CX LEVEL 1 8X7XNCDOS) Duration 36 Months			
CON-L1NCO-UCSX221C	UCSX-210C-M7-NEW	3,237.00	1	3,237.00
CX LEVEL 1 8X7XNCDOS UCS X210c M7 Compute N...	UCS X210c M7 R2L Free Compute Node 2S w/o CPU, ...		1	

Remove All Services | Remove All Additional Services

Configuration Summary: All prices shown in USD | Services: 3,237.00

Cancel Done

- a. Enter the Term Duration.
- b. Click on “Apply” and “Done”

Step 15.

Bundle Configuration: UCSX-M7-DIRECTXCC | Estimated Lead Time: 35 days | Price: Global

Set service preferences for this configuration [Cancel] [Done]

1: The quantity of Cisco Intersight 2.0 - Infrastructure Services License under Offer: DC-MGT-SAAS should be equal to the quantity of Server selected. Please adjust the quantity. (CE200648)
 2: Please note that you are using a promotional PID which is available ONLY IF qualified for the 'UCS X-Series X-Direct Accelerate' Program. For details on the program, PIs review Sales Connect, contact your Cisco Account Manager or reach out to ask-ucsx@external.cisco.com. We encourage you NOT to book this PID if you do not qualify. Order will be on hold after booking to check for eligibility. (CE202322)

DC-MGT-SAAS has been added to the bundle category CISCO INTERSIGHT.

Available Components	Unit List Price (USD)
UCSX 9500 CHASSIS	
UCSX MODULAR SERVER	
CISCO INTERSIGHT	
DC-MGT-SAAS Cisco Intersight SaaS	
CNDL-DESELECT-D Conditional Deselect	0.00
Estimated Lead Time: --	

Product	Unit List Price (USD)	Adjusted List Price (USD)	Qty	Extended List Price (USD)
UCSX-9508-FREE Valid UCS 9508 Free Chassis		5,471.88	1	9,608.46
UCSX-210C-M7-U Valid UCS X210c M7 Compute Node 2S w/o CPU, Mem, Drv, Mezz		22,003.99	5	466,945.70
UCSX-210C-M7-NEW Valid UCS X210c M7 R2L Free Compute Node 2S w/o CPU, Mem, Drv, Mezz		3,237.00	1	3,237.00
CISCO INTERSIGHT -1 Invalid Cisco Intersight SaaS		0.00	1	0.00

Requested Start Date: 06-Jun-2024 | Requested For: 06 Months From 06-Jun-2024 To 05-Jun-2027 | Automatically Renews For: 12 Months On 06-Jun-2027 | Billing Frequency: Prepaid Term

- a. It is recommended that Term Duration for HW Support align with Software Subscription Duration.
- b. Intersight is a required selection if you have not previously purchased Cisco Intersight Software. Please make selection by clicking “PLUS”. Click on “Edit Options” to configure.

Step 16.

Cisco Intersight

Offer Configuration DC-MGT-SAAS(Part of UCSX-M7-XDIRECTXCC)	Estimated Lead Time NA	Price List Global Price List	Total (USD) DC-MGT-SAAS
Requested Terms and Billing			
Requested Start Date 06-Jun-2024	Requested For 36 Months From 06-Jun-2024 To 05-Jun-2027	Automatically Renews For 12 Months On 06-Jun-2027	Billing Frequency Prepaid Term

1: Cisco will apply a standard lead time to your requested start date based on the selected product. Cisco may not be able to honor the requested start date (RSD). In some cases, our systems may require additional lead-time to provision your services. Submitting a RSD that is too early could cause customer subscription billing issues. Verify the requested start date with your implementation team that aligns with customer deployment readiness. (C0742)

2: Your subscription will start and be eligible to be invoiced: i) 30 days or less (7 days for A-FLEX/A-FLEX-3/A-WHOLESALE) after Cisco notifies you that any portion of the subscription is ready for you to provision OR, ii) the day any portion of the subscription is provisioned by Cisco, whichever of the two events happens first. (C01007)

REQUESTED FOR 36 Months From 06-Jun-2024 To 05-Jun-2027

Requested Start Date

Day: 6, Month: Jun, Year: 2024 a

Enter any date up between 03-Jun-2024 and 31-Aug-2024

End Date

Effective For 36 Months b

Enter any whole month value from 1-96

Co-Term to an End Date

Day: 5, Month: Jun, Year: 2027

Enter any date up between 03-Sep-2024 and 05-Jun-2032

Automatically Renews For 12 Months On 06-Jun-2027

Auto Renewal

On b

12 Months

Billing Frequency Prepaid Term b

Prepaid Term

Annual Billing

Quarterly Billing

Monthly Billing

Cancel
Save Changes

- a. **Requested Start Date (RSD)** is selected dependent on HW Ship Date and will automatically starts when the HW ships. If you change the **RSD**, the Software will start either on the **RSD** you picked or the HW Ship Date whichever is later.
- b. **End Date** (duration in months) is defaulted to **36 Months**, **Auto Renewal** (on/off) is defaulted to **On** and **Billing Frequency** is defaulted to **Prepaid Term**. You can still change the setting accordingly.

Step 17.

Cisco Intersight

Offer Configuration DC-MGT-SAAS(Part of UCSX-M7-XDIRECTXCC)	Estimated Lead Time NA	Price List Global Price List	Total (USD) DC-MGT-SAAS
Requested Terms and Billing			
Requested Start Date 06-Jun-2024	Requested For 36 Months From 06-Jun-2024 To 05-Jun-2027	Automatically Renews For 12 Months On 06-Jun-2027	Billing Frequency Prepaid Term

Please note that Cisco recommends Solution Support with Intersight which solves complex issues on average 44% faster than product support. For complete details, please refer to the following URL: <https://www.cisco.com/c/en/us/customer-experience/support/solution-support.html> (CE202322)

Your subscription will start and be eligible to be invoiced: i) 30 days or less (7 days for A-FLEX/A-FLEX-3/A-WHOLESALE) after Cisco notifies you that any portion of the subscription is ready for you to provision OR, ii) the day any portion of the subscription is provisioned by Cisco, whichever of the two events happens first. (C01007)

Configuration Summary

Cisco Intersight 2.0 Infrastructure Services

Cisco Intersight Workload Optimizer (IWO) - SaaS

Cisco Intersight Support

SKU	Qty	List Price
SVS-DCM-SUPT-BAS	1	\$0.00
	Each	Per Each/Month

Total \$0.00

Restore Configuration Cancel Review Changes

DC-MGT-SAAS > Cisco Intersight 2.0 Infrastructure Services

Cisco Intersight 2.0 Infrastructure Services

Cisco Intersight 2.0 Infrastructure Services

Device	SKU	Description	Unit List Price (USD)	Action
Qty	DC-MGT-IS-SAAS-ES SA	Infrastructure Services SaaS/CVA - Essentials	Enter Qty to see List Price Per Device/Month	
Qty	DC-MGT-IS-SAAS-AD SA	Infrastructure Services SaaS/CVA - Advantage	Enter Qty to see List Price Per Device/Month	
Qty	DC-MGT-IS-PVAPP-ES SA	Infrastructure Services PVA - Essentials	Enter Qty to see List Price Per Device/Month	
Qty	DC-MGT-IS-PVAPP-AD SA	Infrastructure Services PVA - Advantage	Enter Qty to see List Price Per Device/Month	

Add-Ons

Device	SKU	Description	Unit List Price (USD)	Action
Qty	DC-MGT-IS-UCSD	UCS Director - 1 Server License (includes Network, Storage)	Enter Qty to see List Price Per Device/Month	

a

- a. The quantity of Cisco Intersight 2.0 Infrastructure Services License under Offer: DC-MGT-SAAS should be equal to the quantity of Server selected. Enter the quantity.

Step 18.

Cisco Intersight → **DC-MGT-SAAS**

Offer Configuration: DC-MGT-SAAS(Part of UCSX-M7-XDIRECTXCC) | Estimated Lead Time: NA | Price List: Global Price List (USD) | Total (USD): 0.00

Requested Terms and Billing

Requested Start Date: 06-Jun-2024 | Requested For: 36 Months From 06-Jun-2024 To 05-Jun-2027 | Automatically Renews For: 12 Months On 06-Jun-2027 | Billing Frequency: Prepaid Term

Please note that Cisco recommends Solution Support with Intersight which solves complex issues on average 44% faster than product support. For complete details, please refer to the following URL: https://www.cisco.com/c/m/en_us/customer-experience/support/solution-support.html (CE202322)

Your subscription will start and be eligible to be invoiced: i) 30 days or less (7 days for A-FLEX/A-FLEX-3/A-WHOLESALE) after Cisco notifies you that any portion of the subscription is ready for you to provision OR, ii) the day any portion of the subscription is provisioned by Cisco, whichever of the two events happens first. (C01007)

Configuration Summary

DC-MGT-SAAS > Cisco Intersight Support

Cisco Intersight Support

Each	SKU	Description	Unit List Price (USD)	Action
Qty	SVS-SSTCS-DCMGMT	Solution Support for DC Mgmt	Enter Qty to see List Price Per Each/Month	
Qty	SVS-L1DCS-INTER	CXL1 for INTERSIGHT	Enter Qty to see List Price Per Each/Month	
Qty	SVS-L2DCS-INTER	CXL2 for INTERSIGHT	Enter Qty to see List Price Per Each/Month	
1	SVS-DCM-SUPT-BAS	Basic Support for DCM	\$0.00 Per Each/Month	

Total \$0.00

Buttons: Restore Configuration, Cancel, Review Changes

- a. The Cisco Intersight License comes with separate Support. Basic Embedded Support is the default selection. It is recommended that Customer should upgrade to Solution Support or CX Success Track L1 or L2 for the HW.

Step 19.

Bundle Configuration: UCSX-M7-XDIRECTXCC | Estimated Lead Time: 35 days | Price List: Global Price List (USD) | Total: 487,351.16

Set service preferences for this configuration ▾ [Cancel] [Done]

⚠ Please note that you are using a promotional PID which is available ONLY if qualified for the 'UCS X-Series X-Direct Xcelerate' Program. For details on the program, PIs review Sales Connect, contact your Cisco Account Manager or reach out to ask-ucsx@external.cisco.com. We encourage you NOT to book this PID if you do not qualify. Order will be on hold after booking to check for eligibility. (CE2023Z2)

Available Components	Unit List Price (USD)
UCSX 9500 CHASSIS	0.30
UCSX-9508-FREE UCS 9508 Free Chassis 0 required Estimated Lead Time: --	
UCSX MODULAR SERVER	
CISCO INTERSIGHT	

Product	Unit List Price (USD)	Adjusted List Price (USD)	Qty	Extended List Price (USD)
UCSX 9500 CHASSIS > 1 Selected (Min 1, Max 1)				
UCSX-9508-FREE Valid		5,471.88	1	9,608.46
UCS 9508 Free Chassis				
Add Custom Name Edit Options Edit Services/Subscriptions Remove Line				
UCSX MODULAR SERVER > 6 Selected (Min 6, Max 8)				
UCSX-210C-M7-U Valid				
UCS X210c M7 Compute Node 2S w/o CPU, Mem, Drv, Mezz				
Add Custom Name Edit Options Edit Services/Subscriptions Remove Line				
UCSX-210C-M7-NEW Valid				
UCS X210c M7 R2L Free Compute Node 2S w/o CPU, Mem, Drv, Mez				
Add Custom Name Edit Options Edit Services/Subscriptions Remove Line				
Add a UCSX MODULAR SERVER from the left panel				
CISCO INTERSIGHT > 1 Selected (Min 1, Max 1)				
DC-INT-SAAS Valid		35.00	1	7,560.00
Cisco Intersight SaaS				
Add Custom Name Edit Options Remove Line				

Requested Start Date: 06-Jun-2024 | Requested For: 36 Months From 06-Jun-2024 To 05-Jun-2027 | Automatically Renews For: 12 Months On 06-Jun-2027 | Billing Frequency: Prepaid Term

- Configuration for MLB is completed when status of each Product is Valid and warning messages are cleared.
- Click on the “PLUS” to expand and view the selections made for each Product.
- Click on the “DONE” to complete the MLB Configuration.

Scenario 2: Customer With Enterprise Agreement for Cisco Intersight Software License

Step 1.

CCW → UCSX-M7-XDIRECTXCC ← a

Hardware, Software and Services	Estimated Lead Time (Days)	Unit List Price (USD)	Qty	Unit Net Price (USD)	Discounts (%)	Extended Net Price (USD)
1.0 UCSX-M7-XDIRECTXCC UCS-X M7 X-Direct Xcelerate Offer Subject to approval	Not Applicable	0.00	1	0.00	0.00	0.00

b → Select Options | Validate | Recommended Content | Add Note | Add Subtotal | Copy | Remove Line | Additional Details ▾

- a. In CCW, search for MLB PID and click on “Add”
- b. Click on “Select Options” to enter the configurator.

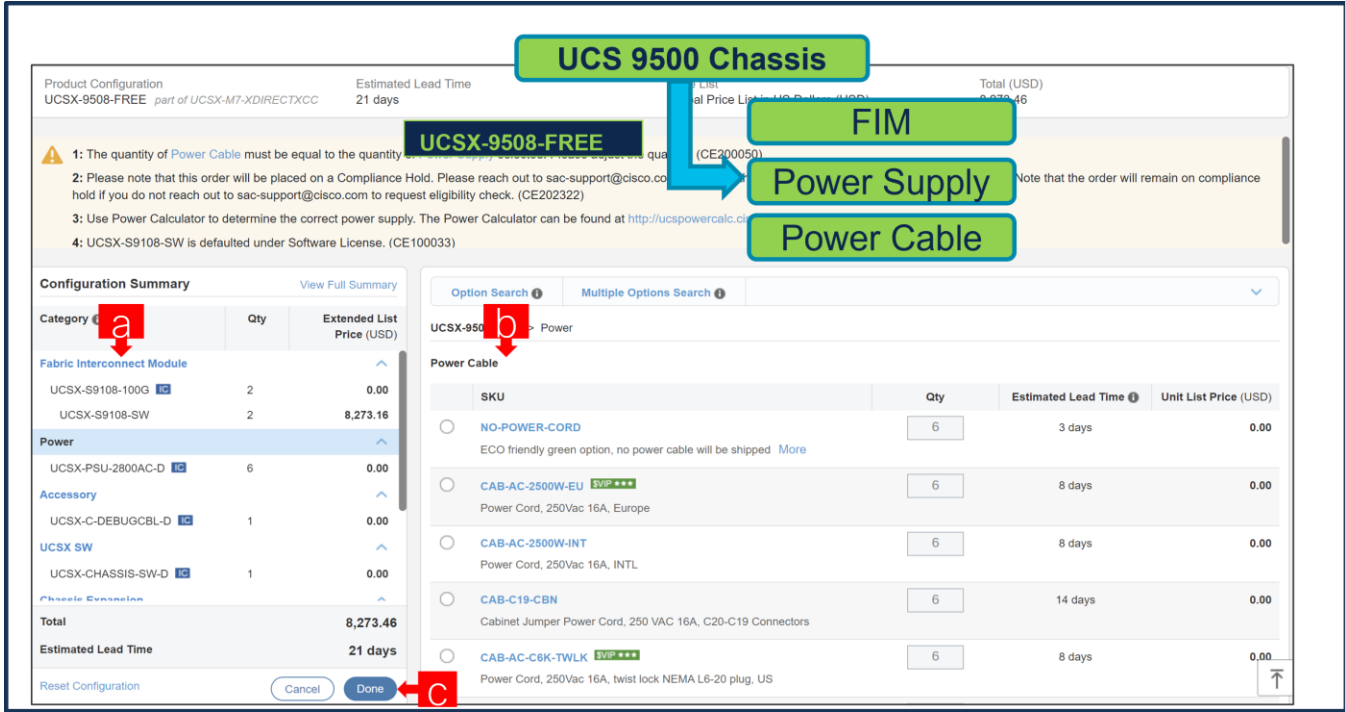
Step 2.

The screenshot displays a configuration page for a UCS bundle. At the top, a green callout box labeled "UCS 9500 Chassis" points to the "UCSX-9508-FREE" component. To the right, three more green callout boxes labeled "FIM", "Power Supply", and "Power Cable" are stacked vertically. A blue arrow points from the "UCSX-9508-FREE" component to the "Edit Options" link. Three red boxes with letters 'a', 'b', and 'c' are placed over the interface: 'a' is over the quantity '1' for the UCSX-9508-FREE component, 'b' is over the 'Invalid' status of the same component, and 'c' is over the 'Edit Options' link for the UCSX-210C-M7-NEW component. The main table lists components with columns for Product, Unit List Price, Adjusted List Price, Qty, and Extended List Price.

Product	Unit List Price (USD)	Adjusted List Price (USD)	Qty	Extended List Price (USD)
UCSX-9508-FREE Invalid UCS 9508 Free Chassis	4,581.88	4,581.88	1	8,718.46
UCSX-210C-M7-U Invalid UCS X210c M7 Compute Node 2S w/o CPU, Mem, Drv, Mezz	7,455.38	7,455.38	5	37,276.90
UCSX-210C-M7-NEW Invalid UCS X210c M7 R2L Free Compute Node 2S w/o CPU, Mem, Drv, Mez	1,079.00	1,079.00	1	1,079.00

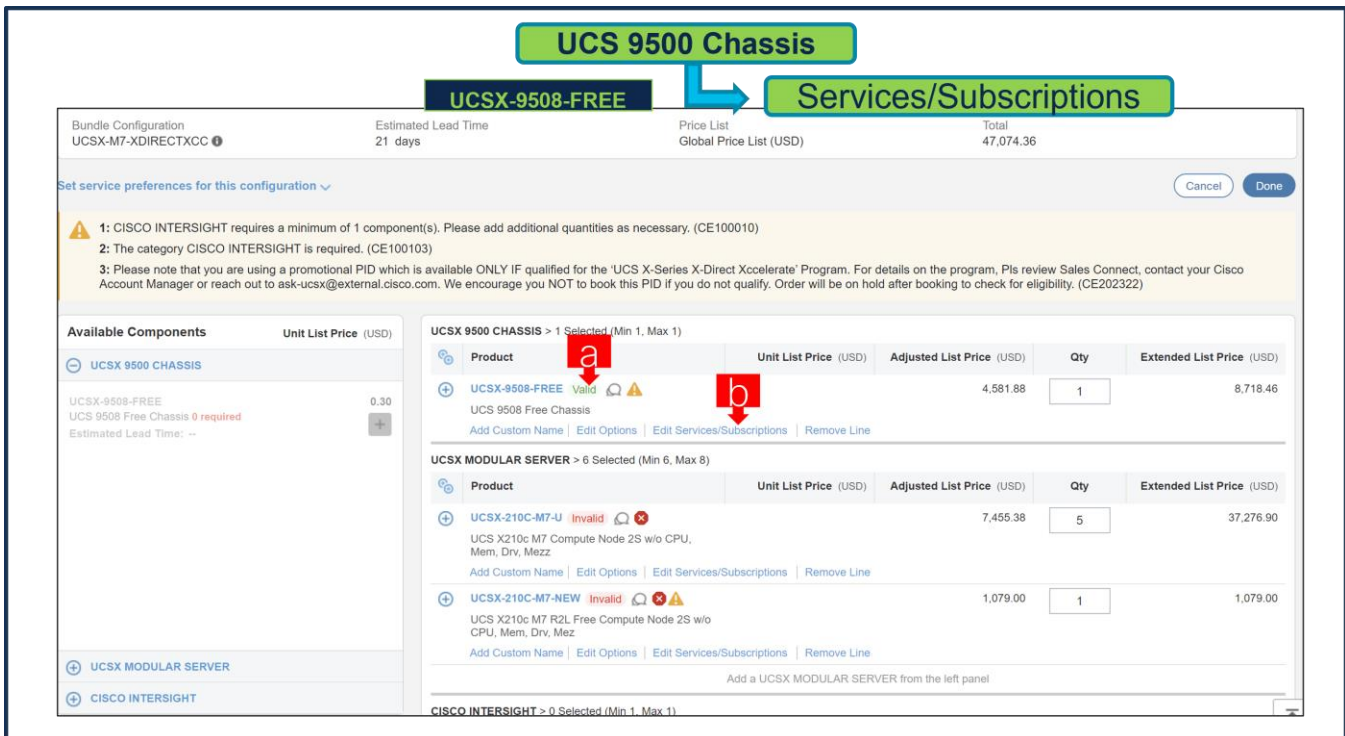
- a. Free Chassis: UCSX-9508-FREE is preselected and can only be selected with 1 QTY
- b. Notice the UCSX-9508-FREE ATO Status is invalid as further configuration needed.
- c. Click on “Edit Options” to enter the configurator.

Step 3.



- Pair of Fabric Interconnect Module and Power Supply are auto-included for free in the configuration and Software License: UCSX-S9108-SW is preselected at price.
- Configure UCSX-9508-FREE by selecting Power Cable from category window on the left.
- Click on "Done"

Step 4.



- a. Note Status is now showing as Valid.
- b. Click on “Edit Services/Subscriptions” to edit Term Duration for HW Support.

Note: It is recommended that Term Duration for HW Support must align with Software Subscription Duration.

Step 5.

The screenshot shows the configuration page for 'UCS 9500 Chassis'. At the top, there's a green box with 'UCS 9500 Chassis' and another with 'Services/Subscriptions'. Below, the 'Service Subscription' is 'UCSX-9508-FREE' with a 'Global Price' of 'UCSX-9508-FREE'. A message states: 'The duration that you entered has been successfully applied to all the services. (C0329)'. Under 'Service Options', there's a 'Time Duration' section with a 'Duration' input field containing '36'. A red arrow 'a' points to this field. Below it are radio buttons for 'Duration', 'Delay service start to', and 'Co-Term service to'. A red arrow 'b' points to the 'Apply' button. At the bottom right, there's a 'Configuration Summary' table showing 'Services' with a total price of '1,335.00'. A red arrow 'b' also points to the 'Done' button.

Service SKU	Product SKU	Unit List Price (USD)	Qty	Total List Price (USD)
Cisco Customer Experience Level 1 (1 ITEM) SERVICE PROGRAM	LINCO (CX LEVEL 1 8X7XNCDOS) SUMMARY			
CON-LINCO-UCSX9508 CX LEVEL 1 8X7XNCDOS UCS 9508 Free Chassis SERVICE SKU	UCSX-9508-FREE UCS 9508 Free Chassis PRODUCT SKU	1,335.00	1	1,335.00

- a. Enter the Term Duration
- b. Click on “Apply” and “Done”

Step 6.

UCSX Modular Server

UCSX-210C-M7-U

Bundle Configuration: UCSX-M7-XDIRECTXCC
Estimated Lead Time: 21 days

Set service preferences for this configuration

1: CISCO INTERSIGHT requires a minimum of 1 component(s). Please add additional quantities as necessary. (CE100010)
2: The category CISCO INTERSIGHT is required. (CE100103)
3: Please note that you are using a promotional PID which is available ONLY IF qualified for the 'UCSX X-Series X-Direct Xcelerate' Program. For details on the program, Pls review Sales Connect, contact your Cisco Account Manager or reach out to ask-ucsx@external.cisco.com. We encourage you NOT to book this PID if you do not qualify. Order will be on hold after booking to check for eligibility. (CE202322)

Available Components	Unit List Price (USD)
UCSX 9500 CHASSIS	
UCSX MODULAR SERVER	
UCSX-210C-M7-U UCS X210c M7 Compute Node 2S w/o CPU, Mem, Drv, Mezz 5 required Estimated Lead Time: 21 days	6,376.38
UCSX-210C-M7-NEW UCS X210c M7 R2L Free Compute Node 2S w/o CPU, Mem, Drv, Mezz 1 required Estimated Lead Time: 21 days	0.00

Product	Unit List Price (USD)	Adjusted List Price (USD)	Qty	Extended List Price (USD)
UCSX-9508-FREE UCS 9508 Free Chassis		5,471.88	1	9,608.46
UCSX-210C-M7-U UCS X210c M7 Compute Node 2S w/o CPU, Mem, Drv, Mezz	7,455.38		5	37,276.90
UCSX-210C-M7-NEW UCS X210c M7 R2L Free Compute Node 2S w/o CPU, Mem, Drv, Mezz	1,079.00		1	1,079.00

- Paid Server: UCSX-210C-M7-U is preselected with 5 QTY under MLB and can be selected up to 7 QTY.
- Notice the UCSX-210C-M7-U ATO Status is "invalid" as further configuration needed.
- Click on "Edit Options" to enter the configurator.

Step 7.

UCSX Modular Server

UCSX-210C-M7-U

Product Configuration: UCSX-210C-M7-U part of UCSX-M7-XDIRECTXCC
Estimated Lead Time: 21 days

1: A selection from Infrastructure and Workload is required. Please adjust the selections. (CE200277)
2: A selection of either UCSX-ML-V5Q50G-D or UCSX-ML-V5D200G-D or UCSX-ML-V5D200GV2D from Rear MEZZ - MLOM/PCI is required. Please adjust the selections. (CE200096)
3: At least 1 selection(s) from Processor 4th Gen or Processor 5th Gen is required. Please make the selection. (CE200375)
4: UCSX-210C-M7-U quantity 1 requires a minimum quantity of 1 from Security Options (CE100012)

Configuration Summary	Qty	Extended List Price (USD)
Processor 4th Gen		
Processor 5th Gen		
Memory 4800		
Memory 5600		
Front MEZZ - Controller		
Rear MEZZ - MLOM/PCI		
Storage Drives		
SATA M.2		
NVMe Boot		
Total		6,376.38
Estimated Lead Time		21 days

SKU	Qty	Estimated Lead Time	Unit List Price (USD)
UCSX-CPU-I8452Y Intel I8452Y 2GHz/300W 36C/67.5MB DDR5 4800MT/s		21 days	11,300.22
UCSX-CPU-I8454H Intel I8454H 2.1GHz/270W 32C/82.5MB DDR5 4800MT/s		21 days	17,571.42
UCSX-CPU-I8458P Intel I8458P 2.7GHz/350W 44C/82.5MB DDR5 4800MT/s		21 days	18,953.30
UCSX-CPU-I8460H Intel I8460H 2.2GHz/330W 40C/105MB DDR5 4800MT/s		21 days	27,690.77
UCSX-CPU-I8460Y+ Intel I8460Y+ 2GHz/300W 40C/105MB DDR5 4800MT/s		21 days	14,783.55

- Configure UCSX-210C-M7-U by selecting peripherals from category window on the left.
- PIDs are listed in the window on the right. Some PIDs like CPUs, Memory and Drives are grouped according to type or series; select from the grouped options located above SKU window on the right.
- Follow warning messages to configure the minimum required option PIDs.
- Click on “Done” when completed.

Step 8.

UCSX Modular Server

Bundle Configuration: UCSX-M7-XDIRECTXCC
 Estimated Lead Time: 35 days
 Price Group: Global
 Price List (USD): UCSX-210C-M7-U

Set service preferences for this configuration

1: CISCO INTERSIGHT requires a minimum of 1 component(s). Please add additional quantities as necessary. (CE100010)
 2: The category CISCO INTERSIGHT is required. (CE100103)
 3: Please note that you are using a promotional PID which is available ONLY IF qualified for the 'UCS X-Series X-Direct Xcelerate' Program. For details on the program, PIs review Sales Connect, contact your Cisco Account Manager or reach out to ask-ucsx@external.cisco.com. We encourage you NOT to book this PID if you do not qualify. Order will be on hold after booking to check for eligibility. (CE202322)

Available Components	Unit List Price (USD)
UCSX 9500 CHASSIS	
UCSX MODULAR SERVER	
UCSX-210C-M7-U UCS X210c M7 Compute Node 2S w/o CPU, Mem, Drv, Mezz 5 required Estimated Lead Time: 21 days	6,376.38
UCSX-210C-M7-NEW UCS X210c M7 R2L Free Compute Node 2S w/o CPU, Mem, Drv, Mezz 1 required Estimated Lead Time: 21 days	0.00
CISCO INTERSIGHT	

UCSX 9500 CHASSIS > 1 Selected (Min 1, Max 1)	Unit List Price (USD)	Adjusted List Price (USD)	Qty	Extended List Price (USD)
UCSX-9508-FREE Valid UCS 9508 Free Chassis Add Custom Name Edit Options Edit Services/Subscriptions Remove Line		5,471.88	1	9,608.46

UCSX MODULAR SERVER > 6 Selected (Min 6, Max 8)	Unit List Price (USD)	Adjusted List Price (USD)	Qty	Extended List Price (USD)
UCSX-210C-M7-U Valid UCS X210c M7 Compute Node 2S w/o CPU, Mem, Drv, Mezz Add Custom Name Edit Options Edit Services/Subscriptions Remove Line		19,845.99	5	456,155.70
UCSX-210C-M7-NEW Invalid UCS X210c M7 R2L Free Compute Node 2S w/o CPU, Mem, Drv, Mezz Add Custom Name Edit Options Edit Services/Subscriptions Remove Line		1,079.00	1	1,079.00

CISCO INTERSIGHT > 0 Selected (Min 1, Max 1)

- Note Status is now showing as “Valid”.
- Increase the quantity for multiples of same configuration.
- Click the “PLUS” to add and configure the same product with different option/quantities or select a different product.

Step 9.

UCSX Modular Server

Bundle Configuration: UCSX-M7-XDIRECTXCC | Estimated Lead Time: 35 days | Price List: Global Price List in US Dollars (USD) | Total: 3,237.00

UCSX-210C-M7-U | **Services/Subscriptions**

1: CISCO INTERSIGHT requires a minimum of 1 component(s). Please add additional quantities as necessary. (CE100010)
 2: The category CISCO INTERSIGHT is required. (CE100103)
 3: Please note that you are using a promotional PID which is available ONLY IF qualified for the 'UCS X-Series X-Direct Xcelerate' Program. For details on the program, PIs review Sales Connect, contact your Cisco Account Manager or reach out to ask-ucsx@external.cisco.com. We encourage you NOT to book this PID if you do not qualify. Order will be on hold after booking to check for eligibility. (CE202322)

Product	Unit List Price (USD)	Adjusted List Price (USD)	Qty	Extended List Price (USD)
UCSX-9508-FREE UCS 9508 Free Chassis	5,471.88	5,471.88	1	9,608.46
UCSX-210C-M7-U UCS X210c M7 Compute Node 2S w/o CPU, Mem, Drv, Mezz 5 required	19,845.99	19,845.99	5	456,155.70
UCSX-210C-M7-NEW UCS X210c M7 R2L Free Compute Node 2S w/o CPU, Mem, Drv, Mezz 1 required	1,079.00	1,079.00	1	1,079.00

a. Click on “Edit Services/Subscriptions” to edit Term Duration for HW Support.

Note: It is recommended that Term Duration for HW Support must align with Software Subscription Duration.

Step 10.

UCSX Modular Server

Service Subscription: UCSX-210C-M7-U | Price List: Global Price List in US Dollars (USD) | Service Total: 3,237.00

Services/Subscriptions

You may receive additional discounts because you selected two or more years of service. To review your discounts you can go to the Order or Quoting discount pages. (C0124)

Service: Non Serviceable Products

The duration that you entered has been successfully applied to all the services. (C0329)

Service Options

Choose Service Level from: All Service Programs

Time Duration: 36 months

Duration: 36

Reset | Apply

Service SKU	Product SKU	Unit List Price (USD)	Qty	Total List Price (USD)
Cisco Customer Experience Level 1 (1 ITEM)	L1NCO (CX LEVEL 1 8X7XNCDOS)	3,237.00	1	3,237.00
CON-L1NCO-UCSX023C	UCSX-210C-M7-U		1	

Configuration Summary: All prices shown in USD | Services: 3,237.00

Cancel | Done

a. Enter the Term Duration.

b. Click on “Apply” and “Done”

Step 11.

UCSX Modular Server

UCSX-210C-M7-NEW

CPU

Memory

Drives

Bundle Configuration: UCSX-M7-XDIRECTXCC
Estimated Lead Time: 35 days
Global Price List (USD)

Set service preferences for this configuration

1: CISCO INTERSIGHT requires a minimum of 1 component(s). Please add additional quantities as necessary. (CE100010)
2: The category CISCO INTERSIGHT is required. (CE100103)
3: Please note that you are using a promotional PID which is available ONLY IF qualified for the 'UCS X-Series X-Direct Xccelerate' Program. For details on the program, Pls review Sales Connect, contact your Cisco Account Manager or reach out to ask-ucsx@external.cisco.com. We encourage you NOT to book this PID if you do not qualify. Order will be on hold after booking to check for eligibility. (CE202322)

Product	Unit List Price (USD)	Adjusted List Price (USD)	Qty	Extended List Price (USD)
UCSX 9500 CHASSIS > 1 Selected (Min 1, Max 1)				
UCSX-9508-FREE Valid		5,471.88	1	9,608.46
UCSX MODULAR SERVER > 6 Selected (Min 6, Max 8)				
UCSX-210C-M7-U Valid		22,003.99	5	466,945.70
UCSX-210C-M7-NEW Invalid		1,079.00	1	1,079.00

- a. Free Server: UCSX-210C-M7-NEW is preselected and can only be selected with 1 QTY.
- b. Notice the UCSX-210C-M7 -NEW ATO Status is “invalid” as further configuration needed.
- c. Click on “Edit Options” to enter the configurator.

Note: Configuration of at least 5 Paid Servers and 1 Free Server should be identical.

Step 12.

UCSX Modular Server

UCSX-210C-M7-NEW

CPU
Memory
Drives

Product Configuration: UCSX-210C-M7-NEW part of UCSX-M7-XDIRECTXCC
Estimated Lead Time: 21 days
Price List: Global Price List in US Dollars (USD)
Unit List Price (USD): 0.00

Warning Messages:

- 1: A selection from Infrastructure and Workload is required. Please adjust the selections. (CE200277)
- 2: A selection of either UCSX-ML-V5Q50G-D or UCSX-ML-V5D200G-D or UCSX-MLV5D200GV2D from Rear MEZZ - MLOM/PCI is required. Please make the selection. (CE200375)
- 3: At least 1 selection(s) from Processor 4th Gen or Processor 5th Gen is required. Please make the selection. (CE200375)
- 4: Please note that this order will be placed on a Compliance Hold. Please reach out to sac-support@cisco.com to check if this order meets eligibility criteria for hold removal. Note that the order will remain on compliance hold if you do not reach out to sac-support@cisco.com to request eligibility check. (CE202322)

Configuration Summary

Category	Qty	Extended List Price (USD)
Processor 4th Gen		
Processor 5th Gen		
Memory 4800		
Memory 5600		
Front MEZZ - Controller		
Rear MEZZ - MLOM/PCI		
Storage Drives		
SATA M.2		
NVMe Boot		
Total		0.00
Estimated Lead Time		21 days

Options Window: UCSX-210C-M7-NEW > Processor 4th Gen

8000 Processor Series 4th Gen | 6000 Processor Series 4th Gen | 5000 Processor Series 4th Gen | 4000 Processor Series 4th Gen | 3000 Processor Series 4th Gen

SKU	Qty	Estimated Lead Time	Unit List Price (USD)
UCSX-CPU-I8452Y Intel I8452Y 2GHz/300W 36C/67.5MB DDR5 4800MT/s	Qty	21 days	0.00
UCSX-CPU-I8454H Intel I8454H 2.1GHz/270W 32C/82.5MB DDR5 4800MT/s	Qty	21 days	0.00
UCSX-CPU-I8458P Intel I8458P 2.7GHz/350W 44C/82.5MB DDR5 4800MT/s	Qty	21 days	0.00
UCSX-CPU-I8460H Intel I8460H 2.2GHz/330W 40C/105MB DDR5 4800MT/s	Qty	21 days	0.00
UCSX-CPU-I8460Y+ Intel I8460Y+ 2GHz/300W 40C/105MB DDR5 4800MT/s	Qty	21 days	0.00

Buttons: Cancel, Done

- Configure UCSX-210C-M7-NEW by selecting peripherals from category window on the left.
- PIDs are listed in the window on the right. Some PIDs like CPUs, Memory and Drives are grouped according to type or series; select from the grouped options located above SKU window on the right.
- Follow warning messages to configure the minimum required option PIDs.
- Click on “Done” when completed.

Step 13.

UCSX Modular Server

UCSX-210C-M7-NEW → **Services/Subscriptions**

Bundle Configuration: UCSX-M7-XDIRECTXCC | Estimated Lead Time: 35 days | Price List: Global Price List (USD) | Total: 477,633.16

Set service preferences for this configuration Cancel Done

1: CISCO INTERSIGHT requires a minimum of 1 component(s). Please add additional quantities as necessary. (CE100010)
2: The category CISCO INTERSIGHT is required. (CE100103)
3: Please note that you are using a promotional PID which is available ONLY IF qualified for the 'UCSX X-Series X-Direct Xccelerate' Program. For details on the program, PIs review Sales Connect, contact your Cisco Account Manager or reach out to ask-ucsx@external.cisco.com. We encourage you NOT to book this PID if you do not qualify. Order will be on hold after booking to check for eligibility. (CE202322)

Available Components	Unit List Price (USD)
UCSX 9500 CHASSIS	
UCSX MODULAR SERVER	
UCSX-210C-M7-U UCS X210c M7 Compute Node 2S w/o CPU, Mem, Drv, Mezz 5 required	6,376.38
UCSX-210C-M7-NEW UCS X210c M7 R2L Free Compute Node 2S w/o CPU, M em, Drv, Mezz 1 required	0.00
CISCO INTERSIGHT	

Product	Unit List Price (USD)	Adjusted List Price (USD)	Qty	Extended List Price (USD)
UCSX 9500 CHASSIS > 1 Selected (Min 1, Max 1)				
UCSX-9508-FREE Valid		5,471.88	1	9,608.46
UCSX MODULAR SERVER > 6 Selected (Min 6, Max 8)				
UCSX-210C-M7-U Valid		22,003.99	5	466,945.70
UCSX-210C-M7-NEW Valid		1,079.00	1	1,079.00

- a. Note Status is now showing as "Valid".
- b. Click on "Edit Services/Subscriptions" to edit Term Duration for HW Support.

Note: It is recommended that Term Duration for HW Support must align with Software Subscription Duration.

Step 14.

UCSX Modular Server

UCSX-210C-M7-NEW → **Services/Subscriptions**

Service Subscription: UCSX-210C-M7-NEW | Price List: Global Price List | Price Total: 37.00

You may receive additional discounts because you selected two or more years of service. To review your discounts you can go to the Order or Quoting discount pages. (C0124)

Service: Non Serviceable Products

The duration that you entered has been successfully applied to all the services. (C0329)

Service Options

Choose Service Level from: All Service Programs

Time Duration: Duration (Selected) | Delay service start to | Co-Term service to

Duration: Reset Apply

Service SKU	Product SKU	Unit List Price (USD)	Qty	Total List Price (USD)
Cisco Customer Experience Level 1 (1 ITEM) SERVICE PROGRAM	L1NCO (CX LEVEL 1 8X7XNCDOS) Duration 36 Months			
CON-L1NCO-UCSX221C	UCSX-210C-M7-NEW	3,237.00	1	3,237.00
CX LEVEL 1 8X7XNCDOS UCS X210c M7 Compute N...	UCS X210c M7 R2L Free Compute Node 2S w/o CPU, ...		1	

Configuration Summary | All prices shown in USD
Services: 3,237.00

Cancel Done

- a. Enter the Term Duration.
- b. Click on “Apply” and “Done”

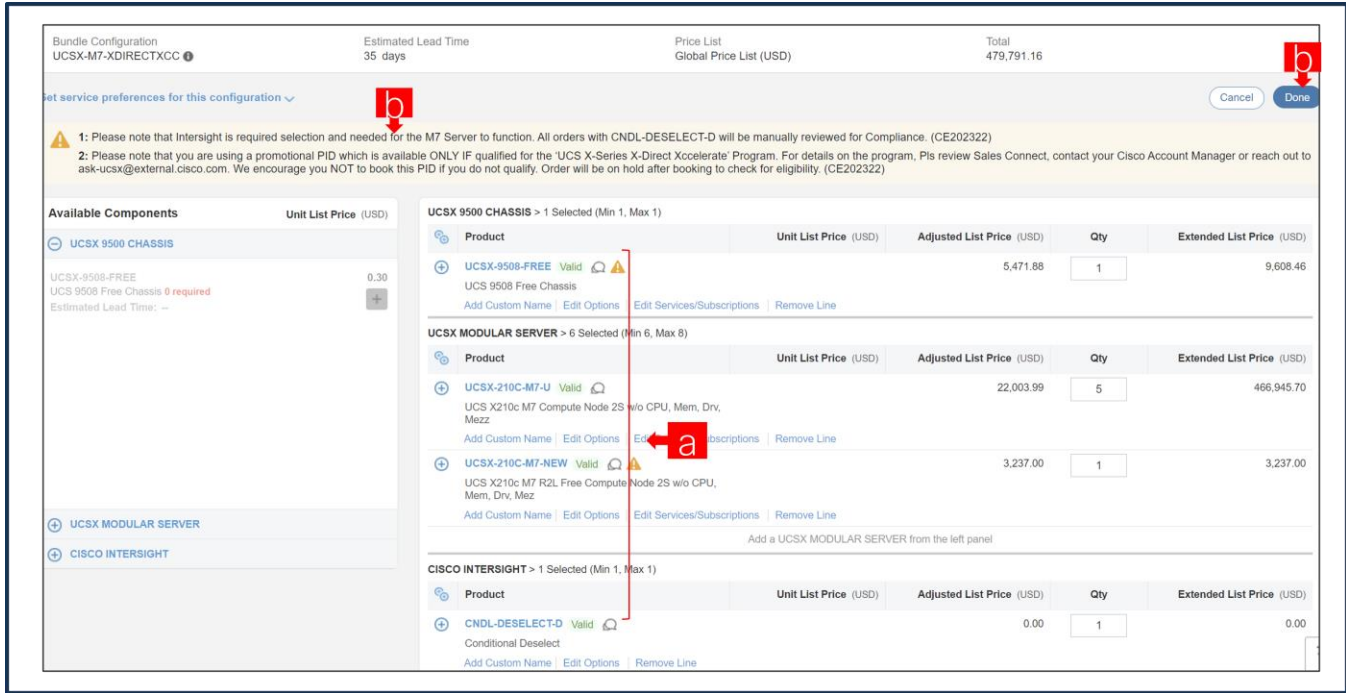
Step 15.

- a. **CNDL-DESELECT-D** is meant to select only if Customer has already purchased Cisco Intersight License via EA Contract or order is for Disti Fulfillment.

Step 16.

a. Please select appropriate Reason Code

Step 17.

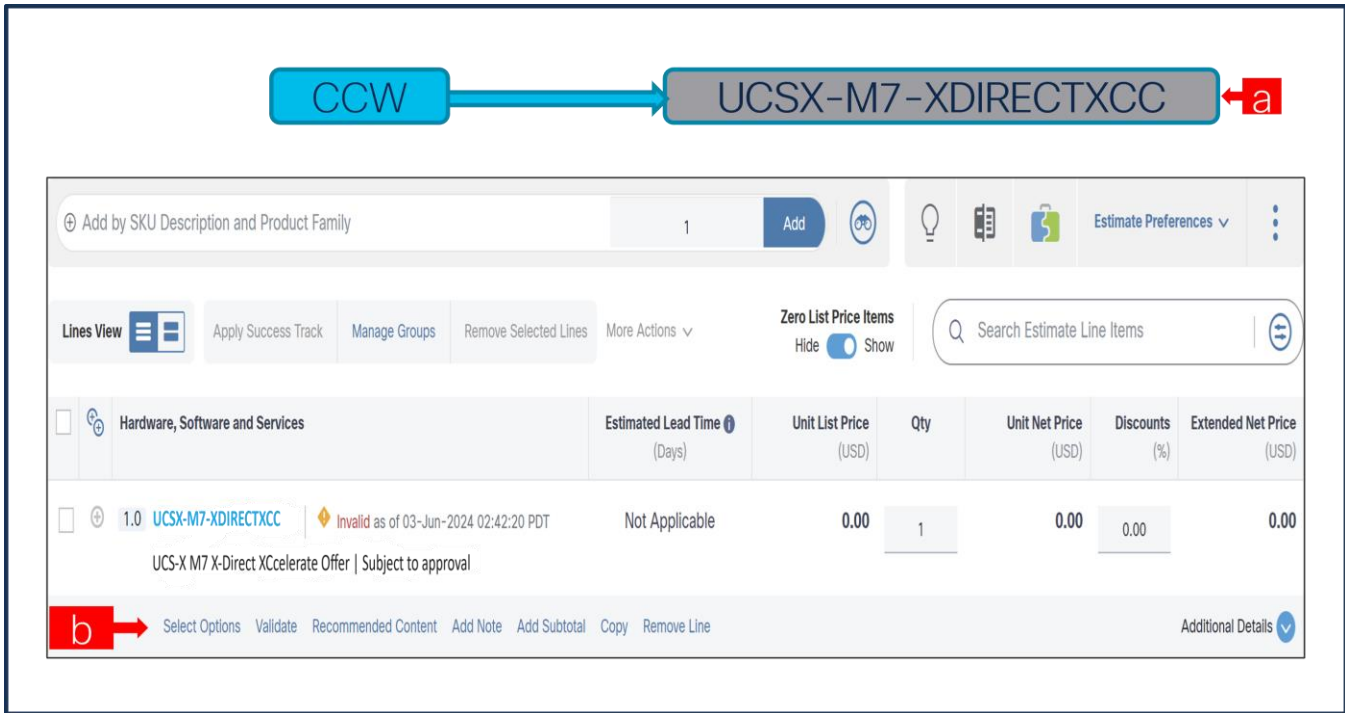


- a. Configuration for MLB is completed when status of each Product is Valid and warning messages are cleared.
- b. Click on the “PLUS” to expand and view the selections made for each Product.
- c. Click on the “DONE” to complete the MLB Configuration.

Buy Method Through Distributor (Eg: Direct Customer & Tier 1 Partners)

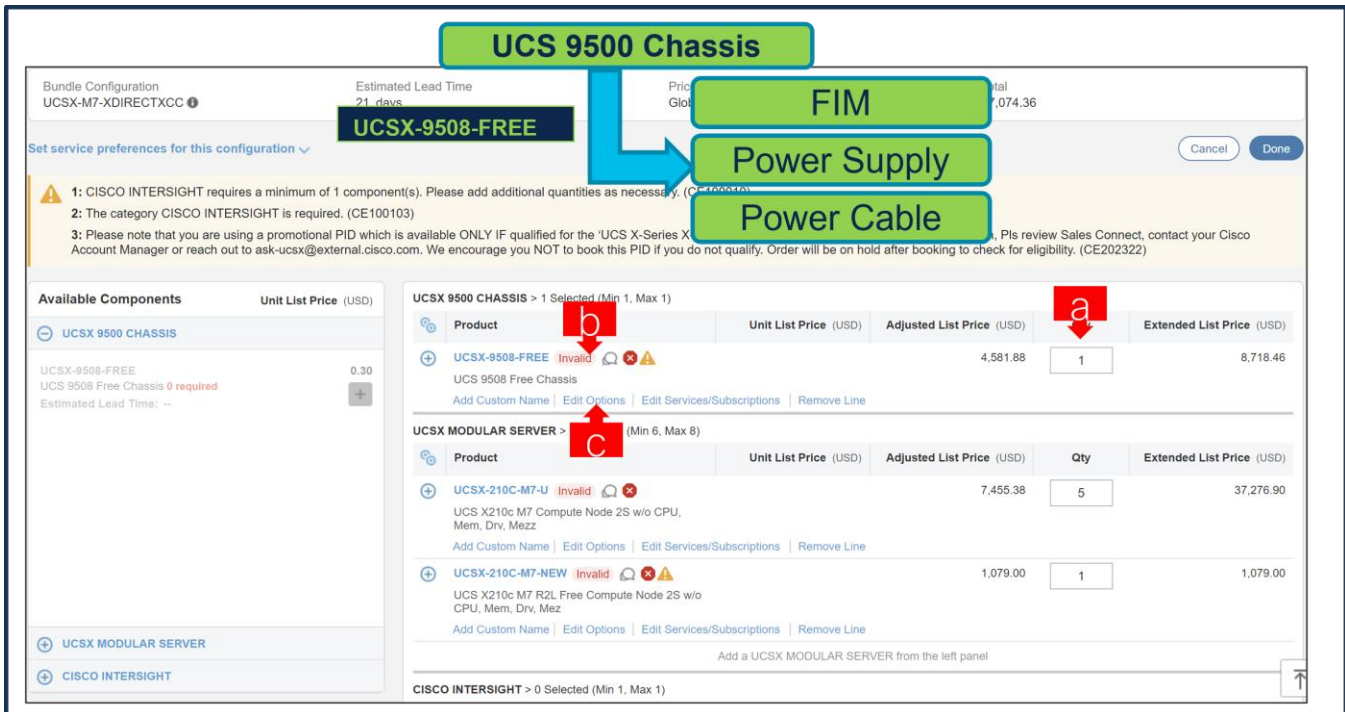
Scenario 1: Customer Without Enterprise Agreement for Cisco Intersight Software License

Step 1.



- a. In CCW, search for MLB PID and click on “Add”
- b. Click on “Select Options” to enter the configurator.

Step 2.



- a. Free Chassis: UCSX-9508-FREE is preselected and can only be selected with 1 QTY
- b. Notice the UCSX-9508-FREE ATO Status is invalid as further configuration needed.
- c. Click on “Edit Options” to enter the configurator.

Step 3.

UCS 9500 Chassis

Product Configuration: UCSX-9508-FREE part of UCSX-M7-XDIRECTXCC
 Estimated Lead Time: 21 days
 Total (USD): 8,273.46

UCSX-9508-FREE

FIM
Power Supply
Power Cable

Configuration Summary

Category	Qty	Extended List Price (USD)
Fabric Interconnect Module		
UCSX-S9108-100G	2	0.00
UCSX-S9108-SW	2	8,273.16
Power		
UCSX-PSU-2800AC-D	6	0.00
Accessory		
UCSX-C-DEBUGCBL-D	1	0.00
UCSX SW		
UCSX-CHASSIS-SW-D	1	0.00
Total		8,273.46
Estimated Lead Time		21 days

Power Cable

SKU	Qty	Estimated Lead Time	Unit List Price (USD)
<input type="radio"/> NO-POWER-CORD ECO friendly green option, no power cable will be shipped. More	6	3 days	0.00
<input type="radio"/> CAB-AC-2500W-EU SWP*** Power Cord, 250Vac 16A, Europe	6	8 days	0.00
<input type="radio"/> CAB-AC-2500W-INT Power Cord, 250Vac 16A, INTL	6	8 days	0.00
<input type="radio"/> CAB-C19-CBN Cabinet Jumper Power Cord, 250 VAC 16A, C20-C19 Connectors	6	14 days	0.00
<input type="radio"/> CAB-AC-C6K-TWLK SWP*** Power Cord, 250Vac 16A, twist lock NEMA L6-20 plug, US	6	8 days	0.00

Buttons: Reset Configuration, Cancel, Done

- Pair of Fabric Interconnect Module and Power Supply are auto-included for free in the configuration and Software License: UCSX-S9108-SW is preselected at price.
- Configure UCSX-9508-FREE by selecting Power Cable from category window on the left.
- Click on "Done"

Step 4.

UCS 9500 Chassis

UCSX-9508-FREE

Services/Subscriptions

Bundle Configuration: UCSX-M7-XDIRECTXCC
 Estimated Lead Time: 21 days
 Price List: Global Price List (USD)
 Total: 47,074.36

Available Components

- UCSX 9500 CHASSIS
- UCSX-9508-FREE (0.30)
- UCSX MODULAR SERVER
- CISCO INTERSIGHT

Selected Items

Product	Unit List Price (USD)	Adjusted List Price (USD)	Qty	Extended List Price (USD)
UCSX 9500 CHASSIS > 1 Selected (Min 1, Max 1)				
UCSX-9508-FREE Valid UCS 9508 Free Chassis	4,581.88	4,581.88	1	8,718.46
UCSX MODULAR SERVER > 6 Selected (Min 6, Max 8)				
UCSX-210C-M7-U Invalid UCS X210c M7 Compute Node 2S w/o CPU, Mem, Drv, Mezz	7,455.38	7,455.38	5	37,276.90
UCSX-210C-M7-NEW Invalid UCS X210c M7 R2L Free Compute Node 2S w/o CPU, Mem, Drv, Mez	1,079.00	1,079.00	1	1,079.00
CISCO INTERSIGHT > 0 Selected (Min 1, Max 1)				

- a. Note Status is now showing as Valid.
- b. Click on “Edit Services/Subscriptions” to edit Term Duration for HW Support.

Note: It is recommended that Term Duration for HW Support must align with Software Subscription Duration.

Step 5.

The screenshot displays the configuration page for a UCS 9500 Chassis. At the top, a green box highlights 'UCS 9500 Chassis'. Below this, the service 'UCSX-9508-FREE' is selected, with a total price of 1,335.00 USD. A message indicates that the duration has been successfully applied. In the 'Service Options' section, the 'Time Duration' is set to 36 months. A red arrow 'a' points to the 'Duration' input field. Another red arrow 'b' points to the 'Apply' button. At the bottom right, a 'Done' button is also highlighted with a red arrow 'b'. A table below shows the service details:

Service SKU	Product SKU	Unit List Price (USD)	Qty	Total List Price (USD)
Cisco Customer Experience Level 1 (1 ITEM) SERVICE PROGRAM	LINCO (CX LEVEL 1 8X7XNCDOS) SUMMARY			
CON-LINCO-UCSX9508 CX LEVEL 1 8X7XNCDOS UCS 9508 Free Chassis SERVICE SKU	UCSX-9508-FREE UCS 9508 Free Chassis PRODUCT SKU	1,335.00	1	1,335.00

- a. Enter the Term Duration
- b. Click on “Apply” and “Done”

Step 6.

UCSX Modular Server

UCSX-210C-M7-U

CPU

Memory

Drives

Bundle Configuration: UCSX-M7-XDIRECTXCC
Estimated Lead Time: 21 days

Set service preferences for this configuration

1: CISCO INTERSIGHT requires a minimum of 1 component(s). Please add additional quantities as necessary. (CE100010)
2: The category CISCO INTERSIGHT is required. (CE100103)
3: Please note that you are using a promotional PID which is available ONLY IF qualified for the 'UCSX X-Series X-Direct Xcelerate' Program. For details on the program, Pls review Sales Connect, contact your Cisco Account Manager or reach out to ask-ucsx@external.cisco.com. We encourage you NOT to book this PID if you do not qualify. Order will be on hold after booking to check for eligibility. (CE202322)

Available Components	Unit List Price (USD)
UCSX 9500 CHASSIS	
UCSX MODULAR SERVER	
UCSX-210C-M7-U UCS X210c M7 Compute Node 2S w/o CPU, Mem, Drv, Mezz 5 required Estimated Lead Time: 21 days	6,376.38
UCSX-210C-M7-NEW UCS X210c M7 R2L Free Compute Node 2S w/o CPU, Mem, Drv, Mezz 1 required Estimated Lead Time: 21 days	0.00
CISCO INTERSIGHT	

Product	Unit List Price (USD)	Adjusted List Price (USD)	Qty	Extended List Price (USD)
UCSX-9508-FREE UCS 9508 Free Chassis		5,471.88	1	9,608.46
UCSX MODULAR SERVER UCS X210c M7 Compute Node 2S w/o CPU, Mem, Drv, Mezz	7,455.38		5	37,276.90
UCSX-210C-M7-NEW UCS X210c M7 R2L Free Compute Node 2S w/o CPU, Mem, Drv, Mezz	1,079.00		1	1,079.00

- Paid Server: UCSX-210C-M7-U is preselected with 5 QTY under MLB and can be selected up to 7 QTY.
- Notice the UCSX-210C-M7-U ATO Status is "invalid" as further configuration needed.
- Click on "Edit Options" to enter the configurator.

Step 7.

UCSX Modular Server

UCSX-210C-M7-U

CPU

Memory

Drives

Product Configuration: UCSX-210C-M7-U part of UCSX-M7-XDIRECTXCC
Estimated Lead Time: 21 days

1: A selection from Infrastructure and Workload is required. Please adjust the selections. (CE200277)
2: A selection of either UCSX-ML-V5Q50G-D or UCSX-ML-V5D200G-D or UCSX-ML-V5D200GV2D from Rear MEZZ - MLOM/PCI is required. Please adjust the selections. (CE200096)
3: At least 1 selection(s) from Processor 4th Gen or Processor 5th Gen is required. Please make the selection. (CE200375)
4: UCSX-210C-M7-U quantity 1 requires a minimum quantity of 1 from Security Options (CE100012)

Configuration Summary	Qty	Extended List Price (USD)
Processor 4th Gen		
Processor 5th Gen		
Memory 4800		
Memory 5600		
Front MEZZ - Controller		
Rear MEZZ - MLOM/PCI		
Storage Drives		
SATA M.2		
NVMe Boot		
Total		6,376.38
Estimated Lead Time		21 days

SKU	Qty	Estimated Lead Time	Unit List Price (USD)
UCSX-CPU-I8452Y Intel I8452Y 2GHz/300W 36C/67.5MB DDR5 4800MT/s		21 days	11,300.22
UCSX-CPU-I8454H Intel I8454H 2.1GHz/270W 32C/82.5MB DDR5 4800MT/s		21 days	17,571.42
UCSX-CPU-I8458P Intel I8458P 2.7GHz/350W 44C/82.5MB DDR5 4800MT/s		21 days	18,953.30
UCSX-CPU-I8460H Intel I8460H 2.2GHz/330W 40C/105MB DDR5 4800MT/s		21 days	27,690.77
UCSX-CPU-I8460Y+ Intel I8460Y+ 2GHz/300W 40C/105MB DDR5 4800MT/s		21 days	14,783.55

- Configure UCSX-210C-M7-U by selecting peripherals from category window on the left.
- PIDs are listed in the window on the right. Some PIDs like CPUs, Memory and Drives are grouped according to type or series; select from the grouped options located above SKU window on the right.
- Follow warning messages to configure the minimum required option PIDs.
- Click on “Done” when completed.

Step 8.

UCSX Modular Server

Bundle Configuration: UCSX-M7-XDIRECTXCC
 Estimated Lead Time: 35 days
 Price: UCSX-210C-M7-U
 Price List (USD)

CPU
Memory
Drives

1: CISCO INTERSIGHT requires a minimum of 1 component(s). Please add additional quantities as necessary. (CE100010)
 2: The category CISCO INTERSIGHT is required. (CE100103)
 3: Please note that you are using a promotional PID which is available ONLY IF qualified for the 'UCS X-Series X-Direct Xcoelate' Program. For details on the program, PIs review Sales Connect, contact your Cisco Account Manager or reach out to ask-ucsx@external.cisco.com. We encourage you NOT to book this PID if you do not qualify. Order will be on hold after booking to check for eligibility. (CE202322)

Available Components	Unit List Price (USD)
UCSX 9500 CHASSIS	
UCSX MODULAR SERVER	
UCSX-210C-M7-U UCS X210c M7 Compute Node 2S w/o CPU, Mem, Drv, Mezz 5 required Estimated Lead Time: 21 days	6,376.38
UCSX-210C-M7-NEW UCS X210c M7 R2L Free Compute Node 2S w/o CPU, Mem, Drv, Mezz 1 required Estimated Lead Time: 21 days	0.00

Product	Unit List Price (USD)	Adjusted List Price (USD)	Qty	Extended List Price (USD)
UCSX-9508-FREE Valid UCS 9508 Free Chassis		5,471.88	1	9,608.46
UCSX MODULAR SERVER > 6 Selected (Min 6, Max 8)				
UCSX-210C-M7-U Valid UCS X210c M7 Compute Node 2S w/o CPU, Mem, Drv, Mezz		19,845.99	5	456,155.70
UCSX-210C-M7-NEW Invalid UCS X210c M7 R2L Free Compute Node 2S w/o CPU, Mem, Drv, Mezz		1,079.00	1	1,079.00

CISCO INTERSIGHT > 0 Selected (Min 1, Max 1)

- Note Status is now showing as “Valid”.
- Increase the quantity for multiples of same configuration.
- Click the “PLUS” to add and configure the same product with different option/quantities or select a different product.

Step 9.

UCSX Modular Server

Bundle Configuration: UCSX-M7-XDIRECTXCC | Estimated Lead Time: 35 days | Price List: Global Price List in US Dollars (USD) | Total: 3,237.00

UCSX-210C-M7-U | **Services/Subscriptions**

1: CISCO INTERSIGHT requires a minimum of 1 component(s). Please add additional quantities as necessary. (CE100010)
 2: The category CISCO INTERSIGHT is required. (CE100103)
 3: Please note that you are using a promotional PID which is available ONLY IF qualified for the 'UCS X-Series X-Direct Xcelerate' Program. For details on the program, PIs review Sales Connect, contact your Cisco Account Manager or reach out to ask-ucsx@external.cisco.com. We encourage you NOT to book this PID if you do not qualify. Order will be on hold after booking to check for eligibility. (CE202322)

Product	Unit List Price (USD)	Adjusted List Price (USD)	Qty	Extended List Price (USD)
UCSX-9508-FREE Valid		5,471.88	1	9,608.46
UCSX-210C-M7-U Valid		19,845.99	5	456,155.70
UCSX-210C-M7-NEW Invalid		1,079.00	1	1,079.00

a. Click on “Edit Services/Subscriptions” to edit Term Duration for HW Support.

Note: It is recommended that Term Duration for HW Support must align with Software Subscription Duration.

Step 10.

UCSX Modular Server

Service Subscription: UCSX-210C-M7-U | Price List: Global Price List in US Dollars (USD) | Service Total: 3,237.00

UCSX-210C-M7-U | **Services/Subscriptions**

You may receive additional discounts because you selected two or more years of service. To review your discounts you can go to the Order or Quoting discount pages. (C0124)

The duration that you entered has been successfully applied to all the services. (C0329)

Service Options

Choose Service Level from: All Service Programs

Time Duration: 36

Buttons: Reset, Apply

Service SKU	Product SKU	Unit List Price (USD)	Qty	Total List Price (USD)
Cisco Customer Experience Level 1 (1 ITEM)	L1NCO (CX LEVEL 1 8X7XNCDOS)	3,237.00	1	3,237.00
CON-L1NCO-UCSX023C	UCSX-210C-M7-U		1	

Configuration Summary: All prices shown in USD | Services: 3,237.00

Buttons: Cancel, Done

a. Enter the Term Duration.

b. Click on “Apply” and “Done”

Step 11.

UCSX Modular Server

UCSX-210C-M7-NEW

CPU

Memory

Drives

Bundle Configuration: UCSX-M7-DIRECTXCC
Estimated Lead Time: 35 days
Global Price List (USD)

Set service preferences for this configuration

1: CISCO INTERSIGHT requires a minimum of 1 component(s). Please add additional quantities as necessary. (CE100010)
2: The category CISCO INTERSIGHT is required. (CE100103)
3: Please note that you are using a promotional PID which is available ONLY IF qualified for the 'UCSX X-Series X-Direct Xccelerate' Program. For details on the program, Pls review Sales Connect, contact your Cisco Account Manager or reach out to ask-ucsx@external.cisco.com. We encourage you NOT to book this PID if you do not qualify. Order will be on hold after booking to check for eligibility. (CE202322)

Available Components	Unit List Price (USD)
UCSX 9500 CHASSIS	
UCSX MODULAR SERVER	
UCSX-210C-M7-J UCS X210c M7 Compute Node 2S w/o CPU, Mem, Drv, Mezz 5 required Estimated Lead Time: 21 days	6,376.38
UCSX-210C-M7-NEW UCS X210c M7 R2L Free Compute Node 2S w/o CPU, M em, Drv, Mezz 1 required Estimated Lead Time: 21 days	0.00
CISCO INTERSIGHT	

Product	Unit List Price (USD)	Adjusted List Price (USD)	Qty	Extended List Price (USD)
UCSX-9508-FREE Valid UCS 9508 Free Chassis		5,471.88	1	9,608.46
UCSX MODULAR SERVER > 6 Selected (Min 6, Max 8)				
UCSX-210C-M7-J Valid UCS X210c M7 Compute Node 2S w/o CPU, Mem, Drv, Mezz		22,003.99	5	466,945.70
UCSX-210C-M7-NEW Invalid UCS X210c M7 R2L Free Compute Node 2S w/o CPU, Mem, Drv, Mezz		1,079.00	1	1,079.00

CISCO INTERSIGHT > 0 Selected (Min 1, Max 1)

- a. Free Server: UCSX-210C-M7-NEW is preselected and can only be selected with 1 QTY.
- b. Notice the UCSX-210C-M7 -NEW ATO Status is “invalid” as further configuration needed.
- c. Click on “Edit Options” to enter the configurator.

Note: Configuration of at least 5 Paid Servers and 1 Free Server should be identical.

Step 12.

UCSX Modular Server

UCSX-210C-M7-NEW

CPU
Memory
Drives

Product Configuration: UCSX-210C-M7-NEW part of UCSX-M7-XDIRECTXCC
Estimated Lead Time: 21 days
Price List: Global Price List in US Dollars (USD)
Unit List Price (USD): 0.00

Warning Messages:

- 1: A selection from Infrastructure and Workload is required. Please adjust the selections. (CE200277)
- 2: A selection of either UCSX-ML-V5Q50G-D or UCSX-ML-V5D200G-D or UCSX-MLV5D200GV2D from Rear MEZZ - MLOM/PCI is required. Please make the selection. (CE200375)
- 3: At least 1 selection(s) from Processor 4th Gen or Processor 5th Gen is required. Please make the selection. (CE200375)
- 4: Please note that this order will be placed on a Compliance Hold. Please reach out to sac-support@cisco.com to check if this order meets eligibility criteria for hold removal. Note that the order will remain on compliance hold if you do not reach out to sac-support@cisco.com to request eligibility check. (CE202322)

Configuration Summary

Category	Qty	Extended List Price (USD)
Processor 4th Gen		
Processor 5th Gen		
Memory 4800		
Memory 5600		
Front MEZZ - Controller		
Rear MEZZ - MLOM/PCI		
Storage Drives		
SATA M.2		
NVMe Boot		
Total		0.00
Estimated Lead Time		21 days

Options Search | **Multiple Options Search**

UCSX-210C-M7-NEW > Processor 4th Gen

8000 Processor Series 4th Gen | 6000 Processor Series 4th Gen | 5000 Processor Series 4th Gen | 4000 Processor Series 4th Gen | 3000 Processor Series 4th Gen

SKU	Qty	Estimated Lead Time	Unit List Price (USD)
<input type="radio"/> UCSX-CPU-I8452Y Intel I8452Y 2GHz/300W 36C/67.5MB DDR5 4800MT/s	Qty	21 days	0.00
<input type="radio"/> UCSX-CPU-I8454H Intel I8454H 2.1GHz/270W 32C/82.5MB DDR5 4800MT/s	Qty	21 days	0.00
<input type="radio"/> UCSX-CPU-I8458P Intel I8458P 2.7GHz/350W 44C/82.5MB DDR5 4800MT/s	Qty	21 days	0.00
<input type="radio"/> UCSX-CPU-I8460H Intel I8460H 2.2GHz/330W 40C/105MB DDR5 4800MT/s	Qty	21 days	0.00
<input type="radio"/> UCSX-CPU-I8460Y+ Intel I8460Y+ 2GHz/300W 40C/105MB DDR5 4800MT/s	Qty	21 days	0.00

Reset Configuration | Cancel | Done

- Configure UCSX-210C-M7-NEW by selecting peripherals from category window on the left.
- PIDs are listed in the window on the right. Some PIDs like CPUs, Memory and Drives are grouped according to type or series; select from the grouped options located above SKU window on the right.
- Follow warning messages to configure the minimum required option PIDs.
- Click on “Done” when completed.

Step 13.

UCSX Modular Server

UCSX-210C-M7-NEW → **Services/Subscriptions**

Bundle Configuration: UCSX-M7-XDIRECTXCC | Estimated Lead Time: 35 days | Price List: Global Price List (USD) | Total: 477,633.16

Set service preferences for this configuration Cancel Done

1: CISCO INTERSIGHT requires a minimum of 1 component(s). Please add additional quantities as necessary. (CE100010)
2: The category CISCO INTERSIGHT is required. (CE100103)
3: Please note that you are using a promotional PID which is available ONLY IF qualified for the 'UCSX X-Series X-Direct Xccelerate' Program. For details on the program, PIs review Sales Connect, contact your Cisco Account Manager or reach out to ask-ucsx@external.cisco.com. We encourage you NOT to book this PID if you do not qualify. Order will be on hold after booking to check for eligibility. (CE202322)

Available Components	Unit List Price (USD)
UCSX 9500 CHASSIS	
UCSX MODULAR SERVER	
UCSX-210C-M7-U UCS X210c M7 Compute Node 2S w/o CPU, Mem, Drv, Mezz 5 required	6,376.38
UCSX-210C-M7-NEW UCS X210c M7 R2L Free Compute Node 2S w/o CPU, M em, Drv, Mezz 1 required	0.00
CISCO INTERSIGHT	

Product	Unit List Price (USD)	Adjusted List Price (USD)	Qty	Extended List Price (USD)
UCSX 9500 CHASSIS > 1 Selected (Min 1, Max 1)				
UCSX-9508-FREE Valid		5,471.88	1	9,608.46
UCSX MODULAR SERVER > 6 Selected (Min 6, Max 8)				
UCSX-210C-M7-U Valid		22,003.99	5	466,945.70
UCSX-210C-M7-NEW Valid		1,079.00	1	1,079.00

- a. Note Status is now showing as "Valid".
- b. Click on "Edit Services/Subscriptions" to edit Term Duration for HW Support.

Note: It is recommended that Term Duration for HW Support must align with Software Subscription Duration.

Step 14.

UCSX Modular Server

UCSX-210C-M7-NEW → **Services/Subscriptions**

Service Subscription: UCSX-210C-M7-NEW | Price List: Global Price List | Price Total: 37.00

You may receive additional discounts because you selected two or more years of service. To review your discounts you can go to the Order or Quoting discount pages. (C0124)

Service: Non Serviceable Products

The duration that you entered has been successfully applied to all the services. (C0329)

Service Options

Choose Service Level from: All Service Programs

Time Duration: Duration (Selected) | Delay service start to | Co-Term service to

Duration: Reset Apply

Service SKU	Product SKU	Unit List Price (USD)	Qty	Total List Price (USD)
Cisco Customer Experience Level 1 (1 ITEM) SERVICE PROGRAM	L1NCO (CX LEVEL 1 8X7XNCDOS) Duration 36 Months			
CON-L1NCO-UCSX221C	UCSX-210C-M7-NEW	3,237.00	1	3,237.00
CX LEVEL 1 8X7XNCDOS UCS X210c M7 Compute N...	UCS X210c M7 R2L Free Compute Node 2S w/o CPU, ...		1	

Remove All Services | Remove All Additional Services

Configuration Summary: All prices shown in USD | Services: 3,237.00

Cancel Done

- a. Enter the Term Duration.
- b. Click on “Apply” and “Done”

Step 15.

The screenshot shows a configuration page for 'UCSX-M7-XDIRECTXCC'. At the top, it displays 'Estimated Lead Time: 35 days' and 'Total: 479,791.16'. A green callout box labeled 'Cisco Intersight' points to a green box labeled 'CNDL-DESELECT-D' in the main configuration area. Below this, a table lists selected components:

Product	Unit List Price (USD)	Adjusted List Price (USD)	Qty	Extended List Price (USD)
UCSX 9500 CHASSIS > 1 Selected (Min 1, Max 1)				
UCSX-9508-FREE Valid		5,471.88	1	9,608.46
UCSX MODULAR SERVER > 6 Selected (Min 6, Max 8)				
UCSX-210C-M7-U Valid		22,003.99	5	466,945.70
UCSX-210C-M7-NEW Valid		3,237.00	1	3,237.00
CISCO INTERSIGHT > 1 Selected (Min 1, Max 1)				
CNDL-DESELECT-D Conditional Deselect		0.00	1	0.00

In the 'Available Components' list on the left, 'CNDL-DESELECT-D' is highlighted with a red box containing the letter 'a' and a red arrow pointing to its plus sign.

- a. **CNDL-DESELECT-D** is meant to select only if Customer has already purchased Cisco Intersight License via EA Contract or order is for Disti Fulfillment.
- b. Please note that Intersight is required selection and needed for the M7 Server to function. All orders with CNDL-DESELECT-D will be manually reviewed for Compliance.

Step 16.

Cisco Intersight

CNDL-DESELECT-D

Product Configuration: CNDL-DESELECT-D part of UCSX-M7-XDIRECTXCC
 Estimated Lead Time: 7 days
 Price List: Global Price List in US Dollars (USD) 0.00

Configuration Summary [View Full Summary](#)

Category	Qty	Extended List Price (USD)
Reason Codes		
OPTOUT-DISTI-ONLY	1	0.00

Reason Codes

SKU	Qty	Estimated Lead Time	Unit List Price (USD)
<input checked="" type="radio"/> OPTOUT-DISTI-ONLY For Distl when ordering mandatory licenses separately	1	3 days	0.00
<input type="radio"/> OPTOUT-EA-ONLY License not needed: Customer already owns Licenses in an EA	1	3 days	0.00
<input type="radio"/> OPTOUT-ENTL-SWAP License not needed: Entitlements updated in Smart Account. More	1	3 days	0.00

Clear Selection | Show Incompatible SKUs

Total: 0.00
 Estimated Lead Time: 7 days

[Reset Configuration](#) [Cancel](#) [Done](#)

a. Please select appropriate Reason Code

Step 17.

Bundle Configuration: UCSX-M7-XDIRECTXCC
 Estimated Lead Time: 35 days
 Price List: Global Price List (USD)
 Total: 479,791.16

[Set service preferences for this configuration](#) [Cancel](#) [Done](#)

Available Components **Unit List Price (USD)**

- UCSX 9500 CHASSIS: 0.30
- UCSX 9508 Free Chassis 0 required
- UCSX 9508 Free Chassis 0 required
- Estimated Lead Time: --
- UCSX MODULAR SERVER
- CISCO INTERSIGHT

500 CHASSIS > 1 Selected (Min 1, Max 1)

Product	Unit List Price (USD)	Adjusted List Price (USD)	Qty	Extended List Price (USD)
<input checked="" type="checkbox"/> UCSX-9508-FREE Valid UCS 9508 Free Chassis		5,471.88	1	9,608.46

UCSX MODULAR SERVER > 6 Selected (Min 6, Max 8)

Product	Unit List Price (USD)	Adjusted List Price (USD)	Qty	Extended List Price (USD)
<input checked="" type="checkbox"/> UCSX-210C-M7-U Valid UCS X210c M7 Compute Node 2S w/o CPU, Mem, Drv, Mez		22,003.99	5	466,945.70
<input checked="" type="checkbox"/> UCSX-210C-M7-NEW Valid UCS X210c M7 R2L Free Compute Node 2S w/o CPU, Mem, Drv, Mez		3,237.00	1	3,237.00

Add a UCSX MODULAR SERVER from the left panel

CISCO INTERSIGHT > 1 Selected (Min 1, Max 1)

Product	Unit List Price (USD)	Adjusted List Price (USD)	Qty	Extended List Price (USD)
<input checked="" type="checkbox"/> CNDL-DESELECT-D Valid Conditional Deselect		0.00	1	0.00

- Configuration for MLB is completed when status of each Product is Valid and warning messages are cleared.
- Click on the “PLUS” to expand and view the selections made for each Product.
- Click on the “DONE” to complete the MLB Configuration.

Step 18.

The screenshot shows the CCW interface with a search bar at the top. A green callout box labeled "Cisco Intersight" has an arrow pointing to another green callout box labeled "DC-MGT-SAAS". A red arrow labeled "a" points to the search bar. A red arrow labeled "b" points to the "Add" button next to the line item "1.0 UCSX-M7-XDIRECTXCC".

Hardware, Software and Services	Estimated Lead Time (Days)	Unit List Price (USD)	Qty	Unit Net Price (USD)	Discounts (%)	Extended Net Price (USD)
1.0 UCSX-M7-XDIRECTXCC Valid as of 04-Jun-2024 01:26:10 PDT UCS-X M7 X-Direct XAccelerate Offer Subject to approval	35	21,052.99	1	21,052.99	0.00	446,707.02

- In CCW, search for DC-MGT-SAAS and click on “ADD”.
- Intersight is a required selection, if you have not previously purchased Cisco Intersight Software. Click on Select Options to enter the configurator.

Step 19.

The screenshot shows the CCW interface with two line items. A green callout box labeled "Cisco Intersight" has an arrow pointing to another green callout box labeled "DC-MGT-SAAS". A red arrow labeled "a" points to the search bar. A red arrow labeled "b" points to the "Add" button next to the line item "2.0 DC-MGT-SAAS".

Hardware, Software and Services	Estimated Lead Time (Days)	Unit List Price (USD)	Qty	Unit Net Price (USD)	Discounts (%)	Extended Net Price (USD)
1.0 UCSX-M7-XDIRECTXCC Valid as of 04-Jun-2024 01:26:10 PDT UCS-X M7 X-Direct XAccelerate Offer Subject to approval	35	21,052.99	1	21,052.99	0.00	446,707.02
2.0 DC-MGT-SAAS Valid as of 04-Jun-2024 01:31:57 PDT Cisco Intersight SaaS	3	0.00	1	0.00	0.00	0.00

- The quantity of Cisco Intersight 2.0 Infrastructure Services License under Offer: DC-MGT-SAAS should be equal to the quantity of Server selected. Enter the quantity.

Step 20.

- a. **Requested Start Date (RSD)** It is recommended that when you book your SaaS Product, you select a Request Start Date (RSD) 90 days into the future.
- b. **End Date** (duration in months) is defaulted to **36 Months**, **Auto Renewal** (on/off) is defaulted to **On** and **Billing Frequency** is defaulted to **Prepaid Term**. You can still change the setting accordingly.

Step 21.

PRODUCTS	UNIT LIST PRICE	STATUS	QUANTITY	ACTION
Cisco Intersight 2.0 Infrastructure Services				
Infrastructure Services SaaS/CVA - Essentials DC-MGT-IS-SAAS-ES SA	35.00 Per Device/Month	Added	6 Device	Delete
Infrastructure Services SaaS/CVA - Advantage DC-MGT-IS-SAAS-AD SA	Enter Qty to see List Price Per Device/Month	Not Added	Qty Device	+ Add
Infrastructure Services PVA - Essentials DC-MGT-IS-PVAPP-ES SA	Enter Qty to see List Price Per Device/Month	Not Added	Qty Device	+ Add
Infrastructure Services PVA - Advantage DC-MGT-IS-PVAPP-AD SA	Enter Qty to see List Price Per Device/Month	Not Added	Qty Device	+ Add
Add-Ons				
UCS Director - 1 Server License (includes Network, Storage) DC-MGT-IS-UCSD	Enter Qty to see List Price Per Device/Month	Not Added	Qty Device	+ Add
Cisco Intersight Workload Optimizer (IWO) - SaaS				

PRODUCTS	QUANTITY	EXTENDED LIST PRICE
Cisco Intersight 2.0 Infrastructure Services		
DC-MGT-IS-SAAS-ES SA 35.00 Per Device/Month x 36 Months	6 Device	7,560.00
Cisco Intersight Support		
SVS-DCM-SUPT-BAS	1 Each	0.00
Auto Expansion		
DC-MGT-UCSC-1S SA	6 Device	0.00
DC-MGT-ADOPT-BAS	1 License	0.0000

- a. The quantity of Cisco Intersight 2.0 Infrastructure Services License under Offer: DC-MGT-SAAS should be equal to the quantity of Server selected. Enter the quantity.

Step 22.

The screenshot shows the Cisco Intersight SaaS configuration page. At the top, there's a header with 'Cisco Intersight SaaS' and 'DC-MGT-SAAS'. A green box labeled 'Cisco Intersight' has an arrow pointing to a green box labeled 'DC-MGT-SAAS'. Below this, there's a table for 'Cisco Intersight Support' with columns: PRODUCTS, UNIT LIST PRICE, STATUS, QUANTITY, and ACTION. The table contains four rows: 'Solution Support for DC Mgmt', 'CXL1 for INTERSIGHT', 'CXL2 for INTERSIGHT', and 'Basic Support for DCM'. A red box labeled 'a' points to the 'CXL1 for INTERSIGHT' row. To the right, there's a 'Configuration Summary' section with a table showing 'DC-MGT-IS-SAAS-ES' (6 Device, 7,560.00), 'SVS-DCM-SUPT-BAS' (1 Each, 0.00), 'DC-MGT-UCSC-1S' (6 Device, 0.00), and 'DC-MGT-ADOPT-BAS' (1 License, 0.0000).

- a. The Cisco Intersight License comes with separate Support. Basic Embedded Support is the default selection. It is recommended that Customer should upgrade to Solution Support or CX Success Track L1 or L2 for the HW.

Step 23.

The screenshot shows a table of items in a configuration interface. The table has columns: Hardware, Software and Services, Estimated Lead Time (Days), Unit List Price (USD), Qty, Unit Net Price (USD), Discounts (%), and Extended Net Price (USD). There are two rows: 1.0 UCSX-M7-XDIRECTXCC (Valid as of 04-Jun-2024 01:26:10 PDT, 35 days, 21,052.99, Qty 1, 21,052.99, 0.00, 446,707.02) and 2.0 DC-MGT-SAAS (Valid as of 04-Jun-2024 01:41:12 PDT, 3 days, 210.00, Qty 1, 210.00, 0.00, 7,560.00). A red box labeled 'a' points to the 'DC-MGT-SAAS' row, and a red box labeled 'b' points to the 'UCSX-M7-XDIRECTXCC' row.

- a. Configuration for UCSX-M7-XDIRECTXCC and DC-MGT-SAAS is now completed, and status of each Product is Valid..
- b. Click on the “PLUS” to expand and view the selections made for each Product.

Scenario 2: Customer With Enterprise Agreement for Cisco Intersight Software License

Step 1.

The screenshot shows a software interface for configuring a customer configuration wizard (CCW). At the top, a blue box labeled 'CCW' has a blue arrow pointing to a grey box labeled 'UCSX-M7-XDIRECTXCC', which has a red arrow labeled 'a' pointing to it. Below this is a search bar with the text 'Add by SKU Description and Product Family' and a search button. The search results show a table with columns: Hardware, Software and Services; Estimated Lead Time (Days); Unit List Price (USD); Qty; Unit Net Price (USD); Discounts (%); and Extended Net Price (USD). The table contains one row for 'UCSX-M7-XDIRECTXCC' with a quantity of 1 and a price of 0.00. Below the table, there are buttons for 'Select Options', 'Validate', 'Recommended Content', 'Add Note', 'Add Subtotal', 'Copy', and 'Remove Line'. A red arrow labeled 'b' points to the 'Select Options' button. There is also an 'Additional Details' button with a dropdown arrow.

- a. In CCW, search for MLB PID and click on “Add”
- b. Click on “Select Options” to enter the configurator.

Step 2.

- Free Chassis: UCSX-9508-FREE is preselected and can only be selected with 1 QTY
- Notice the UCSX-9508-FREE ATO Status is invalid as further configuration needed.
- Click on “Edit Options” to enter the configurator.

Step 3.

- Pair of Fabric Interconnect Module and Power Supply are auto-included for free in the configuration and Software License: UCSX-S9108-SW is preselected at price.

- b. Configure UCSX-9508-FREE by selecting Power Cable from category window on the left.
- c. Click on “Done”

Step 4.

- a. Note Status is now showing as Valid.
- b. Click on “Edit Services/Subscriptions” to edit Term Duration for HW Support.

Note: It is recommended that Term Duration for HW Support must align with Software Subscription Duration.

Step 5.

UCS 9500 Chassis

Service Subscription: UCSX-9508-FREE Price List Global Price: **UCSX-9508-FREE** Service Total (USD): 1,335.00 **Services/Subscriptions**

Service Options

Choose Service Level from: All Service Programs

Time Duration: Duration Duration:

Delay service start to Co-Term service to

Buttons:

Service SKU	Product SKU	Unit List Price (USD)	Qty	Total List Price (USD)
Cisco Customer Experience Level 1 (1 ITEM)	L1NCO (CX LEVEL 1 8X7XNCDOS)		36 Months	
CON-L1NCO-UCSX9508	UCSX-9508-FREE	1,335.00	1	1,335.00
CX LEVEL 1 8X7XNCDOS UCS 9508 Free Chassis	UCS 9508 Free Chassis		1	

- a. Enter the Term Duration
- b. Click on “Apply” and “Done”

Step 6.

UCSX Modular Server

Bundle Configuration: UCSX-M7-XDIRECTXCC Estimated Lead Time: 21 days Global Price List (USD)

Available Components

Component	Unit List Price (USD)
UCSX 9500 CHASSIS	
UCSX MODULAR SERVER	
UCSX-210C-M7-U	6,376.38
UCSX-210C-M7-NEW	0.00

UCSX 9500 CHASSIS > 1 Selected (Min 1, Max 1)

Product	Unit List Price (USD)	Adjusted List Price (USD)	Qty	Extended List Price (USD)
UCSX-9508-FREE		5,471.88	1	9,608.46
UCSX-210C-M7-U	7,455.38		5	37,276.90
UCSX-210C-M7-NEW	1,079.00		1	1,079.00

- a. Paid Server: UCSX-210C-M7-U is preselected with 5 QTY under MLB and can be selected up to 7 QTY.

- b. Notice the UCSX-210C-M7-U ATO Status is “invalid” as further configuration needed.
- c. Click on “Edit Options” to enter the configurator.

Step 7.

UCSX Modular Server

UCSX-210C-M7-U

CPU
Memory
Drives

Product Configuration: UCSX-210C-M7-U part of UCSX-210C-M7-U RECTXCC Estimated Lead Time: 21 days Price List: Global Price List in (USD) 38

Warnings:

- 1: A selection from Infrastructure and Workload is required. Please adjust the selections. (CE200277)
- 2: A selection of either UCSX-ML-V5Q50G-D or UCSX-ML-V5D200G-D or UCSX-MLV5D200GV2D from Rear MEZZ - MLOM/PCI is required. Please adjust the selections. (CE200096)
- 3: At least 1 selection(s) from Processor 4th Gen or Processor 5th Gen is required. Please make the selection. (CE200375)
- 4: UCSX-210C-M7-U quantity 1 requires a minimum quantity of 1 from Security Options (CE100012)

Configuration Summary View Full Summary

Category	Qty	Extended List Price (USD)
Processor 4th Gen		
Processor 5th Gen		
Memory 4800		
Memory 5600		
Front MEZZ - Controller		
Rear MEZZ - MLOM/PCI		
Storage Drives		
SATA M.2		
NVMe Boot		
Total		6,376.38
Estimated Lead Time		21 days

Options: UCSX-210C-M7-U > Processor 4th Gen

SKU	Qty	Estimated Lead Time	Unit List Price (USD)
<input type="radio"/> UCSX-CPU-I8452Y Intel I8452Y 2GHz/300W 36C/67.5MB DDR5 4800MT/s	Qty	21 days	11,300.22
<input type="radio"/> UCSX-CPU-I8454H Intel I8454H 2.1GHz/270W 32C/82.5MB DDR5 4800MT/s	Qty	21 days	17,571.42
<input type="radio"/> UCSX-CPU-I8458P Intel I8458P 2.7GHz/350W 44C/82.5MB DDR5 4800MT/s	Qty	21 days	18,953.30
<input type="radio"/> UCSX-CPU-I8460H Intel I8460H 2.2GHz/330W 40C/105MB DDR5 4800MT/s	Qty	21 days	27,690.77
<input type="radio"/> UCSX-CPU-I8460Y+ Intel I8460Y+ 2GHz/300W 40C/105MB DDR5 4800MT/s	Qty	21 days	14,783.55

Buttons: Reset Configuration, Cancel, Done

- a. Configure UCSX-210C-M7-U by selecting peripherals from category window on the left.
- b. PIDs are listed in the window on the right. Some PIDs like CPUs, Memory and Drives are grouped according to type or series; select from the grouped options located above SKU window on the right.
- c. Follow warning messages to configure the minimum required option PIDs.
- d. Click on “Done” when completed.

Step 8.

- Note Status is now showing as “Valid”.
- Increase the quantity for multiples of same configuration.
- Click the “PLUS” to add and configure the same product with different option/quantities or select a different product.

Step 9.

- Click on “Edit Services/Subscriptions” to edit Term Duration for HW Support.

Note: It is recommended that Term Duration for HW Support must align with Software Subscription Duration.

Step 10.

The screenshot displays the configuration page for the service **UCSX-210C-M7-U**. At the top, a green box labeled **UCSX Modular Server** has a blue arrow pointing to another green box labeled **Services/Subscriptions**. The main interface shows the service details, including a price list of 3,237.00 USD. A message indicates that the duration has been successfully applied. In the **Service Options** section, the **Time Duration** is set to 36 months. A red arrow labeled 'a' points to the **Duration** input field. Below this, there are **Reset** and **Apply** buttons. A red arrow labeled 'b' points to the **Apply** button. At the bottom right, there is a **Configuration Summary** table showing the service price, and a red arrow labeled 'b' points to the **Done** button.

Service SKU	Product SKU	Unit List Price (USD)	Qty	Total List Price (USD)
Cisco Customer Experience Level 1 (1 ITEM) SERVICE PROGRAM	L1NCO (CX LEVEL 1 8X7XNCDOS) SUMMARY			
CON-L1NCO-UCSX023C CX LEVEL 1 8X7XNCDOS UCS X210c M7 Compute N... SERVICE SKU	UCSX-210C-M7-U UCS X210c M7 Compute Node 2S w/o CPU, Mem, Drv... PRODUCT SKU	3,237.00	1	3,237.00

- a. Enter the Term Duration.
- b. Click on “Apply” and “Done”

Step 11.

UCSX Modular Server

UCSX-210C-M7-NEW

Bundle Configuration: UCSX-M7-XDIRECTXCC
Estimated Lead Time: 35 days

Set service preferences for this configuration

1: CISCO INTERSIGHT requires a minimum of 1 component(s). Please add additional quantities as necessary. (CE100010)
2: The category CISCO INTERSIGHT is required. (CE100103)
3: Please note that you are using a promotional PID which is available ONLY IF qualified for the 'UCS X-Series X-Direct Xcelerate' Program. For details on the program, Pls review Sales Connect, contact your Cisco Account Manager or reach out to ask-ucsx@external.cisco.com. We encourage you NOT to book this PID if you do not qualify. Order will be on hold after booking to check for eligibility. (CE202322)

Available Components	Unit List Price (USD)
UCSX 9500 CHASSIS	
UCSX MODULAR SERVER	
UCSX-210C-M7-U UCS X210c M7 Compute Node 2S w/o CPU, Mem, Drv, Mezz 5 required Estimated Lead Time: 21 days	6,376.38
UCSX-210C-M7-NEW UCS X210c M7 R2L Free Compute Node 2S w/o CPU, Mem, Drv, Mezz 1 required Estimated Lead Time: 21 days	0.00
CISCO INTERSIGHT	

Product	Unit List Price (USD)	Adjusted List Price (USD)	Qty	Extended List Price (USD)
UCSX-9508-FREE UCS 9508 Free Chassis		5,471.88	1	9,608.46
UCSX-210C-M7-U UCS X210c M7 Compute Node 2S w/o CPU, Mem, Drv, Mezz		22,003.99	5	466,945.70
UCSX-210C-M7-NEW UCS X210c M7 R2L Free Compute Node 2S w/o CPU, Mem, Drv, Mezz		1,079.00	1	1,079.00

- Free Server: UCSX-210C-M7-NEW is preselected and can only be selected with 1 QTY.
- Notice the UCSX-210C-M7 -NEW ATO Status is "invalid" as further configuration needed.
- Click on "Edit Options" to enter the configurator.

Note: Configuration of at least 5 Paid Servers and 1 Free Server should be identical.

Step 12.

UCSX Modular Server

UCSX-210C-M7-NEW

Product Configuration: UCSX-210C-M7-NEW part of UCSX-M7-XDIRECTXCC
Estimated Lead Time: 21 days

1: A selection from Infrastructure and Workload is required. Please adjust the selections. (CE200277)
2: A selection of either UCSX-ML-V5Q50G-D or UCSX-ML-V5D200G-D or UCSX-MLV5D200GV2D from Rear MEZZ - MLOM/PCI is required. (CE200375)
3: At least 1 selection(s) from Processor 4th Gen or Processor 5th Gen is required. Please make the selection. (CE200375)
4: Please note that this order will be placed on a Compliance Hold. Please reach out to sac-support@cisco.com to check if this order meets eligibility criteria for hold removal. Note that the order will remain on compliance hold if you do not reach out to sac-support@cisco.com to request eligibility check. (CE202322)

Configuration Summary	Qty	Extended List Price (USD)
Processor 4th Gen		
Processor 5th Gen		
Memory 4800		
Memory 5600		
Front MEZZ - Controller		
Rear MEZZ - MLOM/PCI		
Storage Drives		
SATA M.2		
NVMe Boot		
Total		0.00
Estimated Lead Time		21 days

SKU	Qty	Estimated Lead Time	Unit List Price (USD)
UCSX-CPU-I8452Y Intel I8452Y 2GHz/300W 36C/67.5MB DDR5 4800MT/s		21 days	0.00
UCSX-CPU-I8454H Intel I8454H 2.1GHz/270W 32C/82.5MB DDR5 4800MT/s		21 days	0.00
UCSX-CPU-I8458P Intel I8458P 2.7GHz/350W 44C/82.5MB DDR5 4800MT/s		21 days	0.00
UCSX-CPU-I8460H Intel I8460H 2.2GHz/330W 40C/105MB DDR5 4800MT/s		21 days	0.00
UCSX-CPU-I8460Y+ Intel I8460Y+ 2GHz/300W 40C/105MB DDR5 4800MT/s		21 days	0.00

- Configure UCSX-210C-M7-NEW by selecting peripherals from category window on the left.
- PIDs are listed in the window on the right. Some PIDs like CPUs, Memory and Drives are grouped according to type or series; select from the grouped options located above SKU window on the right.
- Follow warning messages to configure the minimum required option PIDs.
- Click on “Done” when completed.

Step 13.

The screenshot displays the configuration interface for a UCSX Modular Server. At the top, a green box labeled 'UCSX Modular Server' has a blue arrow pointing to another green box labeled 'Services/Subscriptions'. Below this, a black box contains the text 'UCSX-210C-M7-NEW'. The main interface shows a bundle configuration for 'UCSX-M7-XDIRECTXCC' with an estimated lead time of 35 days and a total price of 477,633.16 USD. The configuration includes UCSX 9500 CHASSIS, UCSX MODULAR SERVER, and UCSX-210C-M7-NEW. The UCSX-210C-M7-NEW component is highlighted in red, and its status is shown as 'Valid'. A red arrow labeled 'a' points to the 'Valid' status, and another red arrow labeled 'b' points to the 'Edit Services/Subscriptions' link. A blue arrow at the top points from 'UCSX-210C-M7-NEW' to 'Services/Subscriptions'.

- Note Status is now showing as “Valid”.
- Click on “Edit Services/Subscriptions” to edit Term Duration for HW Support.

Note: It is recommended that Term Duration for HW Support must align with Software Subscription Duration.

Step 14.

UCSX Modular Server

Service Subscription: UCSX-210C-M7-NEW | Price List: Global Price List | Service Total: 3,237.00

UCSX-210C-M7-NEW → **Services/Subscriptions**

a (Duration: 36)

b (Apply)

Service SKU	Product SKU	Unit List Price (USD)	Qty	Total List Price (USD)
CON-L1NCO-UCSX221C CX LEVEL 1 8X7XNCDOS UCS X210c M7 Compute N...	UCSX-210C-M7-NEW UCS X210c M7 R2L Free Compute Node 2S w/o CPU, ...	3,237.00	1	3,237.00

b (Done)

- Enter the Term Duration.
- Click on “Apply” and “Done”

Step 15.

Cisco Intersight

Bundle Configuration: UCSX-M7-XDIRECTXCC | Estimated Lead Time: 35 days | Total: 479,791.16

CNDL-DESELECT-D

a (CNDL-DESELECT-D)

Product	Unit List Price (USD)	Adjusted List Price (USD)	Qty	Extended List Price (USD)
UCSX-9508-FREE UCS 9508 Free Chassis	5,471.88	5,471.88	1	9,608.46
UCSX-210C-M7-U UCS X210c M7 Compute Node 2S w/o CPU, Mem, Drv, Mezz	22,003.99	22,003.99	5	466,945.70
UCSX-210C-M7-NEW UCS X210c M7 R2L Free Compute Node 2S w/o CPU, Mem, Drv, Mez	3,237.00	3,237.00	1	3,237.00
CNDL-DESELECT-D Conditional Deselect	0.00	0.00	1	0.00

a (CNDL-DESELECT-D)

- CNDL-DESELECT-D is meant to select only if Customer has already purchased Cisco Intersight License via EA Contract or order is for Disti Fulfillment.
- Please note that Intersight is required selection and needed for the M7 Server to function. All orders with CNDL-DESELECT-D will be manually reviewed for Compliance.

Step 16.

Cisco Intersight

Product Configuration: CNDL-DESELECT-D part of UCSX-M7-XDIRECTXCC | Estimated Lead Time: 7 days | Price List: Global Price List (USD)

CNDL-DESELECT-D

Configuration Summary | View Full Summary

Category: Reason Codes | Qty: 1 | Extended List Price (USD): 0.00

Reason Codes

SKU	Qty	Estimated Lead Time	Unit List Price (USD)
<input checked="" type="radio"/> OPTOUT-DISTI-ONLY For Distl when ordering mandatory licenses separately	1	3 days	0.00
<input type="radio"/> OPTOUT-EA-ONLY License not needed: Customer already owns Licenses in an EA	1	3 days	0.00
<input type="radio"/> OPTOUT-ENTL-SWAP License not needed: Entitlements updated in SmartAccount. More	1	3 days	0.00

Clear Selection | Show Incompatible SKUs

Total: 0.00 | Estimated Lead Time: 7 days

Buttons: Reset Configuration, Cancel, Done

- Please select appropriate Reason Code

Step 17.

Bundle Configuration: UCSX-M7-XDIRECTXCC | Estimated Lead Time: 35 days | Price List: Global Price List (USD) | Total: 479,791.16

Available Components | Unit List Price (USD)

- UCSX 9500 CHASSIS: 0.30
- UCSX 9508-FREE: 0.30
- UCSX MODULAR SERVER
- CISCO INTERSIGHT

Selected Components

Product	Unit List Price (USD)	Adjusted List Price (USD)	Qty	Extended List Price (USD)
UCSX 9500 CHASSIS > 1 Selected (Min 1, Max 1)				
UCSX-9508-FREE Valid ⚠️		5,471.88	1	9,608.46
UCSX MODULAR SERVER > 6 Selected (Min 6, Max 8)				
UCSX-210C-M7-U Valid ⚠️		22,003.99	5	466,945.70
UCSX-210C-M7-NEW Valid ⚠️		3,237.00	1	3,237.00
CISCO INTERSIGHT > 1 Selected (Min 1, Max 1)				
CNDL-DESELECT-D Valid ⚠️		0.00	1	0.00

Buttons: Cancel, Done

- Configuration for MLB is completed when status of each Product is Valid and warning messages are cleared.
- Click on the “PLUS” to expand and view the selections made for each Product.
- Click on the “DONE” to complete the MLB Configuration.