



The bridge to possible

UCS X-Series Refuse to Lose M8 Offer Ordering Guide

Introduction

This ordering guide covers the ordering information for the below products:

The Cisco UCS X9508 chassis:

The Cisco UCS® X-Series Modular System begins with the Cisco UCS X9508 chassis, engineered to be adaptable and future ready. It is a standard, open system designed to deploy and automate faster in concert with your hybrid cloud environment.

With a midplane-free design, I/O connectivity for the X9508 chassis is accomplished with front-loading, vertically oriented compute nodes intersecting with horizontally oriented I/O connectivity modules in the rear of the chassis. A Unified Ethernet fabric is supplied with the Cisco UCS 9108 Intelligent Fabric Modules. Cisco UCS X-Fabric Technology interconnects enable connectivity between the compute and resource nodes using PCIe Gen4 and will supply other industry-standard protocols as standards emerge. Interconnections can be easily updated with new modules.

The 7 rack-unit (7RU) Cisco UCS X9508 chassis has 8 flexible slots that can house a combination of compute nodes and a pool of current and future I/O resources that may include GPU accelerators, disk storage, and nonvolatile memory.

UCS X215c M8 Compute Node:

The Cisco UCS X215c M8 Compute Node is integrated into the Cisco UCS X-Series Modular System. Up to eight compute nodes can reside in the 7-Rack-Unit (7RU) Cisco UCS X9508 Chassis, offering one of the highest densities of compute, IO, and storage per rack unit in the industry.

The Cisco UCS 6536 Fabric Interconnect (FI):

The Cisco UCS 6536 Fabric Interconnect (FI) is a core part of the Cisco Unified Computing System, providing both network connectivity and management capabilities for the system (Figure 2). The Cisco UCS 6536 Fabric Interconnect offer line-rate, low-latency, lossless 10/25/40/100 Gigabit Ethernet, Fibre Channel over Ethernet (FCoE), and Fibre Channel functions.

The Cisco UCS 6536 Fabric Interconnect provide the management and communication backbone for the Cisco UCS X-Series compute nodes, UCS X9508 X-series chassis, UCS B-Series Blade Servers, UCS 5108 B-Series Server Chassis, UCS Managed C-Series Rack Servers, and UCS S-Series Storage Servers. All servers attached to a Cisco UCS 6536 Fabric Interconnect become part of a single, highly available management domain. In addition, by supporting a unified fabric, Cisco UCS 6536 Fabric Interconnect provides both the LAN and SAN connectivity for all servers within its domain.

Purpose, Audience, and Scope

Purpose

This document describes how to order the UCS X-Series Refuse to Lose M8 Offer.

Scope

This ordering guide describes the information for:

- Ordering Structure of Cisco UCS X-Series Refuse to Lose M8 Offer.
- Catalog of Product IDs
- Ordering Server Hardware and Software options
- Links to additional resources

Audience

Buy Method Through Cisco (Eg: Direct Customer & Tier 1 Partners):

- Scenario 1: Customer Without Enterprise Agreement for Cisco Intersight Software License
- Scenario 2: Customer With Enterprise Agreement for Cisco Intersight Software License

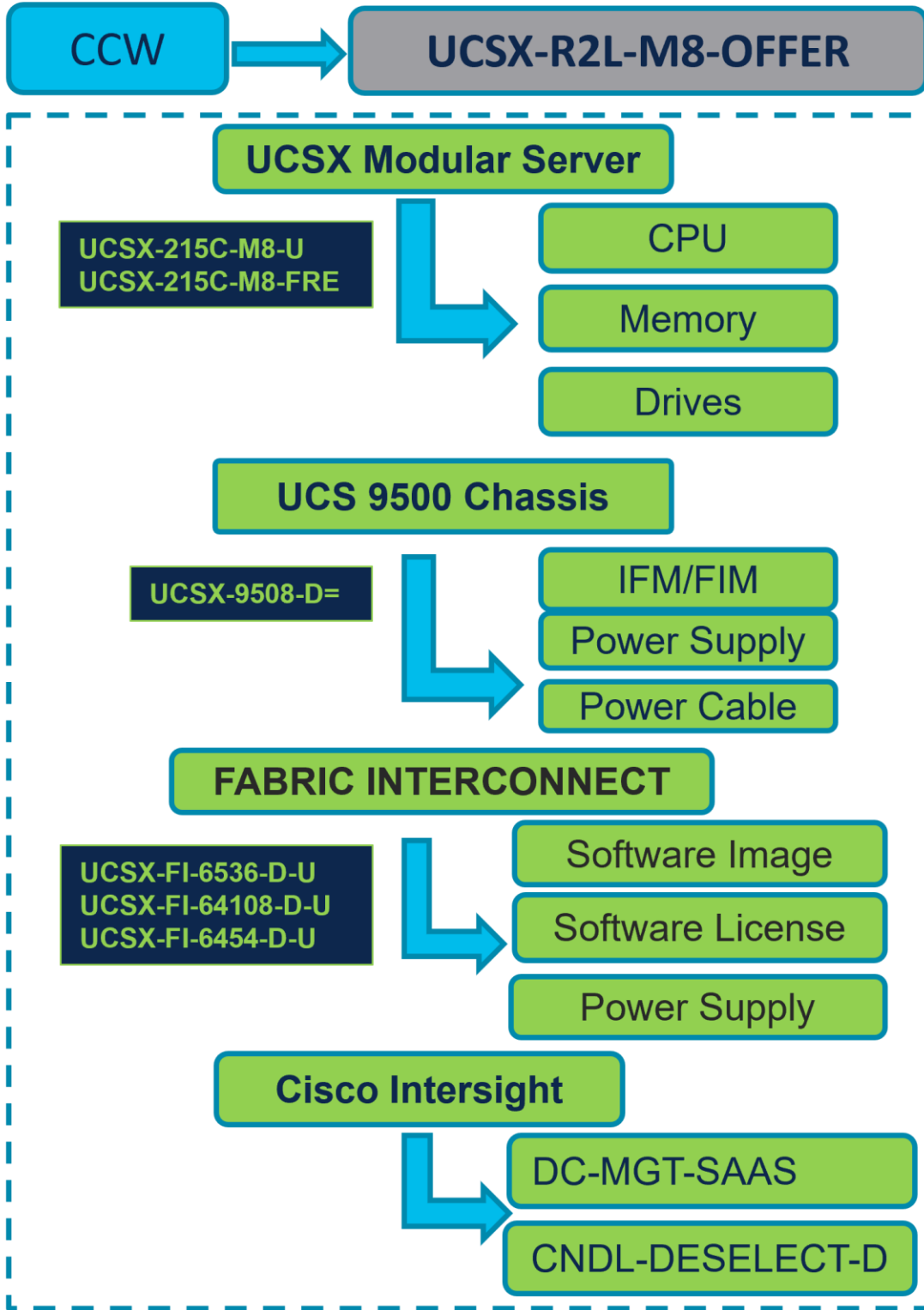
Buy Method Through Distributor (Eg: Tier 1 & Tier 2 Partners):

- Scenario 1: Customer Without Enterprise Agreement for Cisco Intersight Software License
- Scenario 2: Customer With Enterprise Agreement for Cisco Intersight Software License

Ordering Structure of UCS X-Series Refuse to Lose M8 Offer

UCSX Refuse to Lose M8 Offer

***Products Not available to order standalone. Can be ordered only under MLB**



Catalog of Product IDs (PIDs)

Note: For a complete list of part numbers for the see the [Cisco UCS X215c M8 Compute Node Spec Sheet](#), [Cisco UCS X9508 Chassis Spec Sheet](#)

Table 1. PID of Major Line Bundle (MLB)

Product ID (PID)	Description
UCSX-R2L-M8-OFFER	UCS-X Refuse to Lose M8 Offer

Table 2. Cisco Hardware Major Line PIDs

Product ID (PID)	Description
UCSX-9508-D	UCS X9508 Chassis Configured
UCSX-215C-M8-U (Paid Node) UCSX-215C-M8-FRE (Free Node)	Cisco UCS X215c M8 Compute Node without CPU, memory, drive bays, drives, VIC adapter, or mezzanine adapters (ordered as a UCS X9508 chassis option)
UCSX-FI-6536D-U	XCellerate offer for Fabric Interconnect 6536 for IMM
UCSX-FI-64108-D-U	XCellerate offer for Fabric Interconnect 64108
UCSX-FI-6454-D-U	XCellerate offer for Fabric Interconnect 6454

Table 3. Cisco Intersight Major Line PIDs

Product ID (PID)	Description
DC-MGT-SAAS	Cisco Intersight SaaS
CNDL-DESELECT-D	Conditional Deselect

Step By Step Ordering Process

Buy Method Through Cisco (Eg: Direct Customer & Tier 1 Partners)

Scenario 1: Customer Without Enterprise Agreement for Cisco Intersight Software License

Step 1.



Add by SKU Description and Product Family ← a ← Import Saved Configuration ⓘ 💡 📱 👛 Estimate Preferences ▾ ⋮

Lines View ☰ ☰ Apply Success Track Manage Groups Remove Selected Lines More Actions ▾ Zero List Price Items Hide Show 🔍 Search Estimate Line Items ⌕

	Hardware, Software and Services	Estimated Lead Time (Days)	Unit List Price (USD)	Qty	Unit Net Price (USD)	Discounts (%)	Extended Net Price (USD)
<input type="checkbox"/>	1.0 UCSX-R2L-M8-OFFER ⚠ Invalid as of 08-Aug-2024 12:19:41 PDT UCSX Refuse to Lose M8 Offer	Not Applicable	0.00	1	0.00	0.00	0.00

b → Select Options Validate Recommended Content Add Note Add Subtotal Copy Remove Line

- a. In CCW, search for MLB PID and click on “Add”
- b. Click on “Select Options” to enter the configurator.

Step 2.

UCSX Modular Server

UCSX-215C-M8-U

CPU

Memory

Drives

Bundle Configuration
UCSX-R2L-M8-OFFER

Estimated Lead Time
182 days

Global Price List (USD)
29,843.50

Set service preferences for this configuration

1: CISCO INTERSIGHT requires a minimum of 1 component(s). Please add additional quantities as necessary. (CE100010)
2: The category CISCO INTERSIGHT is required. (CE100103)
3: Please note that this order will be placed on a Compliance Hold. Please reach out to sac-support@cisco.com to check if this order meets eligibility criteria for hold removal. Note that the order will remain on compliance hold if you do not reach out to sac-support@cisco.com to request eligibility check. (CE202322)
4: Please note that each UCSX 9508 Chassis can consume maximum 8 Servers. If You have more number of Servers selected than number of Chassis currently you have can consume, consider selecting Additional Spare Chassis: UCSX-9508-D- (CE202322)

Available Components	Unit List Price (USD)	UCSX MODULAR SERVER	Product	Unit List Price (USD)	Adjusted List Price (USD)	Quantity	Extended List Price (USD)
UCSX-215C-M8-U UCS X215c M8 Compute Node 2S 3 required Estimated Lead Time: 182 days	8,542.50	UCSX-215C-M8-U Invalid	UCS X215c M8 Compute Node 2S	9,621.50	9,621.50	3	28,864.50
UCSX-215C-M8-FRE UCS X215c M8 R2L Free Compute Node 2S 1 required Estimated Lead Time: --	0.00	UCSX-215C-M8-FRE	UCS X215c M8 R2L Free Compute Node 2S	1,079.00	1,079.00	1	1,079.00

- a. Paid Node: UCSX-215C-M8-U is preselected with QTY 3 and can be selected in QTY of 3,6,9,12,15,18,21,24,27,30.....300.
- a. Notice the UCSX-215C-M8-U ATO Status is invalid as further configuration needed.
- b. Select 'Edit Options' to enter the configurator.

Step 3.

UCSX Modular Server

UCSX-215C-M8-U

CPU
Memory
Drives

Product Configuration: UCSX-215C-M8-U part of UCSX-R... OFFER
Estimated Lead Time: 182 days
Price List: Global
Total (USD): 8,542.50

Warnings:

- 1: A selection from Infrastructure and Workload is required. Please adjust the selections. (CE200277)
- 2: A selection of either UCSX-ML-V5Q50G-D or UCSX-MLV5D200GV2D from Rear MEZZ - MLOM/PCI is required. Please adjust the selections. (CE200096)
- 3: UCSX-215C-M8-U quantity 1 requires a minimum quantity of 1 from Processor (CE100012)
- 4: UCSX-215C-M8-U quantity 1 requires a minimum quantity of 1 from Security Options (CE100012)

Configuration Summary

Category	Qty	Extended List Price (USD)
Processor		
Memory		
Front MEZZ - Controller		
Rear MEZZ - MLOM/PCI		
Storage Drives		
SATA M.2		
NVMe Boot		
Security Options		
XSeries ComputeNode SW		
Total		8,542.50
Estimated Lead Time		182 days

Processor Selection Table:

SKU	Qty	Estimated Lead Time	Unit List Price (USD)
UCSX-CPU-A9654 AMD 9654 2.4GHz 360W 96C/384MB Cache DDR5 4800MT/s	Qty	182 days	22,661.77
UCSX-CPU-A9124 AMD 9124 3.0GHz 200W 16C/64MB Cache DDR5 4800MT/s	Qty	45 days	3,543.27
UCSX-CPU-A9224 AMD 9224 2.5GHz 200W 24C/64MB Cache DDR5 4800MT/s	Qty	45 days	5,320.59
UCSX-CPU-A9254 AMD 9254 2.9GHz 200W 24C/128MB Cache DDR5 4800MT/s	Qty	182 days	6,552.21
UCSX-CPU-A9334 AMD 9334 2.7GHz 210W 32C/128MB Cache DDR5 4800MT/s	Qty	182 days	8,390.16

- Configure UCSX-215C-M8-U by selecting peripherals from category window on the left.
- PIDs are listed in the window on the right. Some PIDs like Memory and Drives are grouped according to type or series; select from the grouped options located above SKU window on the right.
- Follow warning messages to configure the minimum required option PIDs.
- Select Done when completed.

Step 4.

UCSX Modular Server

UCSX-215C-M8-U

CPU

Memory

Drives

Bundle Configuration: UCSX-R2L-M8-OFFER
 Estimated Lead Time: 182 days
 Price List: Global Price List (USD)

Set service preferences for this configuration

1: CISCO INTERSIGHT requires a minimum of 1 component(s). Please add additional quantities as necessary. (CE100010)
 2: The category CISCO INTERSIGHT is required. (CE100103)
 3: Please note that this order will be placed on a Compliance Hold. Please reach out to sac-support@cisco.com to check if this order meets eligibility criteria for hold removal. Note that the order will remain on compliance hold if you do not reach out to sac-support@cisco.com to request eligibility check. (CE202322)
 4: Please note that each UCSX 9508 Chassis can consume maximum 8 Servers. If you have more number of Servers selected than number of Chassis currently you have can consume, consider selecting Additional Spare Chassis: UCSX-9508-D-. (CE202322)

Available Components	Unit List Price (USD)	Product	Unit List Price (USD)	Adjusted List Price (USD)	Quantity	Extended List Price (USD)
UCSX-215C-M8-U UCS X215c M8 Compute Node 2S 3 required Estimated Lead Time: 182 days	8,542.50	UCSX-215C-M8-U Valid	19,534.46	19,534.46	3	265,328.79
UCSX-215C-M8-FRE UCS X215c M8 R2L Free Compute Node 2S 1 required	0.00	UCSX-215C-M8-FRE Invalid	1,079.00	1,079.00	1	1,079.00

- a. Note Status is now showing as Valid.
- a. Increase the quantity for multiples of same configuration.
- b. Click the “PLUS” to add and configure the same product with different option/quantities or select a different product.

Step 5.

UCSX Modular Server

UCSX-215C-M8-U → **Services/Subscriptions**

Bundle Configuration: UCSX-R2L-M8-OFFER
 Estimated Lead Time: 182 days
 Price List: Global Price List (USD)
 Total: 266,407.79

Set service preferences for this configuration

1: CISCO INTERSIGHT requires a minimum of 1 component(s). Please add additional quantities as necessary. (CE100010)
 2: The category CISCO INTERSIGHT is required. (CE100103)
 3: Please note that this order will be placed on a Compliance Hold. Please reach out to sac-support@cisco.com to check if this order meets eligibility criteria for hold removal. Note that the order will remain on compliance hold if you do not reach out to sac-support@cisco.com to request eligibility check. (CE202322)
 4: Please note that each UCSX 9508 Chassis can consume maximum 8 Servers. If you have more number of Servers selected than number of Chassis currently you have can consume, consider selecting Additional Spare Chassis: UCSX-9508-D-. (CE202322)

Available Components	Unit List Price (USD)
UCSX MODULAR SERVER	
UCSX-215C-M8-U UCS X215c M8 Compute Node 2S 3 required Estimated Lead Time: 182 days	8,542.50
UCSX-215C-M8-FRE UCS X215c M8 R2L Free Compute Node 2S 1 required Estimated Lead Time: --	0.00
UCS 9500 CHASSIS	
FABRIC INTERCONNECT	
CISCO INTERSIGHT	

Product	Unit List Price (USD)	Adjusted List Price (USD)	Qty	Extended List Price (USD)
UCSX-215C-M8-U Valid UCS X215c M8 Compute Node 2S Add Custom Name Edit Options Edit Services/Subscriptions Remove Line		19,534.46	3	265,328.79
UCSX-215C-M8-FRE Invalid UCS X215c M8 R2L Free Compute Node 2S Add Custom Name Edit Options Edit Services/Subscriptions Remove Line		1,079.00	1	1,079.00

UCSX MODULAR SERVER > 4 Selected (Min 4, Max 400)

UCS 9500 CHASSIS > 0 Selected (Min 0, Max 99)

FABRIC INTERCONNECT > 0 Selected (Min 0, Max 99999)

CISCO INTERSIGHT > 0 Selected (Min 1, Max 1)

Check Path Translation

a. Click on “Edit Services/Subscriptions” to edit Term Duration for HW Support.

Note: It is recommended that Term Duration for HW Support must align with Software Subscription Duration.

Step 6.

UCSX Modular Server

Service Subscription: UCSX-215C-M8-U Price List: UCSX-215C-M8-U Service Price: 3,237.00

Services/Subscriptions

Service Options

Choose Service Level from: All Service Programs

Time Duration: Duration (selected) Delay service start to Co-Term service to

Duration: (labeled 'a')

(labeled 'b')

Service SKU	Product SKU	Unit List Price (USD)	Qty	Total List Price (USD)
Cisco Customer Experience Level 1 (1 ITEM)	L1NCO (CX LEVEL 1 8X7XNCDOS)			
CON-L1NCO-UCSX2CMU	UCSX-215C-M8-U	3,237.00	1	3,237.00

Configuration Summary All prices shown in USD

(labeled 'b')

- a. Enter the Term Duration
- a. Click on “Apply” and “Done”

Step 7.

The screenshot displays the Cisco UCS configuration interface. At the top, a green box labeled "UCSX Modular Server" has an arrow pointing to a dark blue box labeled "UCSX-215C-M8-FRE". To the right, three green boxes labeled "CPU", "Memory", and "Drives" are stacked vertically. The main interface shows a bundle configuration for "UCSX-R2L-M8-OFFER" with an estimated lead time of 182 days and a global price of 2,881.79. Below this, there are service preference warnings and a table of available components. The table lists two UCSX-215C-M8 models: UCSX-215C-M8-U (Unit List Price: 8,542.50, Qty: 3, Extended List Price: 271,802.79) and UCSX-215C-M8-FRE (Unit List Price: 0.00, Qty: 1, Extended List Price: 1,079.00). The UCSX-215C-M8-FRE row is marked as "Invalid" with a red 'b' annotation. A red 'a' points to the quantity field for the free node, and a red 'c' points to the "Edit Options" link for the free node. The interface also shows sections for UCS 9500 CHASSIS, FABRIC INTERCONNECT, and CISCO INTERSIGHT.

- Free Node: UCSX-215C-M8-FRE is preselected with QTY 1 and can be selected in QTY of **(QTY of Paid Node: UCSX-215C-M8-U / 3)**.
- Notice the UCSX-215C-M8-FRE ATO Status is invalid as further configuration needed.
- Click on 'Edit Option' to enter the configurator.

Note: Configuration of Paid Node and Free Node should be identical.

Step 8.

UCSX Modular Server

UCSX-215C-M8-FRE → **CPU**
Memory
Drives

Product Configuration: UCSX-215C-M8-FRE part of UCSX-P3L-M8-OFFER
Estimated Lead Time: 21 days
Price List: Global Price List in US Dollars

Configuration Summary

Category	Qty	Extended List Price (USD)
Processor		
Memory		
Front MEZZ - Controller		
Rear MEZZ - MLOM/PCI		
Storage Drives		
SATA M.2		
NVMe Boot		
Security Options		
XSeries ComputeNode SW		
Total		0.00
Estimated Lead Time		21 days

Processor Options

SKU	Qty	Estimated Lead Time	Unit List Price (USD)
UCSX-CPU-A9654	Qty	182 days	0.00
UCSX-CPU-A9124	Qty	45 days	0.00
UCSX-CPU-A9224	Qty	45 days	0.00
UCSX-CPU-A9254	Qty	182 days	0.00
UCSX-CPU-A9334	Qty	182 days	0.00

Warnings:

- A selection from Infrastructure and Workload is required. Please adjust the selections. (CE200277)
- A selection of either UCSX-ML-V5Q50G-D or UCSX-MLV5D200GV2D from Rear MEZZ - MLOM/PCI is required. Please adjust the selections. (CE200096)
- UCSX-215C-M8-FRE quantity 1 requires a minimum quantity of 1 from Processor (CE100012)
- UCSX-215C-M8-FRE quantity 1 requires a minimum quantity of 1 from Security Options (CE100012)

Buttons: Cancel, Done

- a. Configure UCSX-215C-M8-FRE by selecting peripherals from category window on the left.
- a. PIDs are listed in the window on the right. Some PIDs like Memory and storage drives are grouped according to type or series; select from the grouped options located above SKU window on the right.
- b. Follow warning messages to configure the minimum required option PIDs.
- c. Click on “Done” when completed.

Step 9.

UCSX Modular Server

UCSX-215C-M8-FRE

CPU

Memory

Drives

Bundle Configuration: UCSX-R2L-M8-OFFER
Estimated Lead Time: 182 days
Price List: Global Price List (USD)

Set service preferences for this configuration

1: CISCO INTERSIGHT requires a minimum of 1 component(s). Please add additional quantities as necessary. (CE100010)
2: The category CISCO INTERSIGHT is required. (CE100103)
3: Please note that this order will be placed on a Compliance Hold. Please reach out to sac-support@cisco.com to check if this order meets eligibility criteria for hold removal. Note that the order will remain on compliance hold if you do not reach out to sac-support@cisco.com to request eligibility check. (CE202322)
4: Please note that each UCSX 9508 Chassis can consume maximum 8 Servers. If you have more number of Servers selected than number of Chassis currently you have can consume, consider selecting Additional Spare Chassis: UCSX-9508-D- (CE202322)

Product	Unit List Price (USD)	Adjusted List Price (USD)	Qty	Extended List Price (USD)
UCSX-215C-M8-U Valid		21,692.46	3	271,802.79
UCSX-215C-M8-FRE Valid		1,079.00	1	1,079.00

Available Components

Component	Unit List Price (USD)
UCSX-215C-M8-U	8,542.50
UCSX-215C-M8-FRE	0.00

UCS 9500 CHASSIS > 0 Selected (Min 0, Max 99)

FABRIC INTERCONNECT > 0 Selected (Min 0, Max 99999)

CISCO INTERSIGHT > 0 Selected (Min 1, Max 1)

- Note Status is now showing as “Valid”.
- Increase the quantity for multiples of same configuration.
- Click the “PLUS” to add and configure the same product with different option/quantities or select a different product.

Step 10.

UCSX Modular Server

↓

UCSX-215C-M8-FRE → **Services/Subscriptions**

Bundle Configuration: UCSX-R2L-M8-OFFER | Estimated Lead Time: 182 days | Price List: Global Price List (USD) | 272,861.79

Set service preferences for this configuration Cancel Done

1: CISCO INTERSIGHT requires a minimum of 1 component(s). Please add additional quantities as necessary. (CE100010)
2: The category CISCO INTERSIGHT is required. (CE100103)
3: Please note that this order will be placed on a Compliance Hold. Please reach out to sac-support@cisco.com to check if this order meets eligibility criteria for hold removal. Note that the order will remain on compliance hold if you do not reach out to sac-support@cisco.com to request eligibility check. (CE202322)
4: Please note that each UCSX 9508 Chassis can consume maximum 8 Servers. If you have more number of Servers selected than number of Chassis currently you have can consume, consider selecting Additional Spare Chassis. UCSX-9508-D-. (CE202322)

Available Components	Unit List Price (USD)
UCSX MODULAR SERVER	
UCSX-215C-M8-U UCS X215c M8 Compute Node 2S 3 required Estimated Lead Time: 182 days	8,542.50
UCSX-215C-M8-FRE UCS X215c M8 R2L Free Compute Node 2S 1 required Estimated Lead Time: --	0.00
UCS 9500 CHASSIS	
FABRIC INTERCONNECT	
CISCO INTERSIGHT	

UCSX MODULAR SERVER > 4 Selected (Min 4, Max 400)	Unit List Price (USD)	Adjusted List Price (USD)	Qty	Extended List Price (USD)
UCSX-215C-M8-U Valid UCS X215c M8 Compute Node 2S Add Custom Name Edit Options Edit Services/Subscriptions Remove Line		21,692.46	3	271,802.79
UCSX-215C-M8-FRE Valid a UCS X215c M8 R2L Free Compute Node 2S Add Custom Name Edit Options Edit Services/Subscriptions Remove Line		1,079.00	1	1,079.00

UCS 9500 CHASSIS > 0 Selected (Min 0, Max 99)
Add a UCS 9500 CHASSIS from the left panel

FABRIC INTERCONNECT > 0 Selected (Min 0, Max 99999)
Add a FABRIC INTERCONNECT from the left panel

CISCO INTERSIGHT > 0 Selected (Min 1, Max 1)
Add a CISCO INTERSIGHT from the left panel

[Check Path Translation](#)

a. Click on “Edit Services/Subscriptions” to edit Term Duration for HW Support.

Note: It is recommended that Term Duration for HW Support must align with Software Subscription Duration.

Step 11.

UCSX Modular Server

Service Subscription: UCSX-215C-M8-FRE Price: 3,237.00 (USD)

Services/Subscriptions

Service Non Serviceable Products

The duration that you entered has been successfully applied to all the services. (C0329)

Service Options

Choose Service Level from: All Service Programs

Search by Name & Description

Note: Cisco may still install another compatible service if required. Compatible services are the services that come with primary service and are based on products.

Time Duration:

- Duration
- Delay service start to
- Co-Term service to

Duration: 36

Buttons: Reset, Apply

Service SKU	Product SKU	Unit List Price (USD)	Qty	Total List Price (USD)
Cisco Customer Experience Level 1 (1 ITEM) SERVICE PROGRAM CON-L1NCO-UCSX2FRE CX LEVEL 1 8X7XNCDOS UCS X215c M8 R2L Free C... SERVICE SKU Change Service Remove Service	L1NCO (CX LEVEL 1 8X7XNCDOS) SUMMARY UCSX-215C-M8-FRE UCS X215c M8 R2L Free Compute Node 2S PRODUCT SKU	3,237.00	1	3,237.00

Buttons: Remove All Services, Remove All Additional Services

Configuration Summary: All prices shown in USD

Services

Buttons: Cancel, Done

- a. Enter the Term Duration.
- b. Click on “Apply” and “Done”

Step 12.

UCS 9500 Chassis

UCSX-9508-D=

IFM

Power Supply

Power Cable

Bundle Configuration: UCSX-R2L-M8-OFFER
 Estimated Lead Time: 182 days

Set service preferences for this configuration

1: CISCO INTERSIGHT requires a minimum of 1 component(s). Please add additional quantities as necessary. (CE100010)
 2: The category CISCO INTERSIGHT is required. (CE100103)
 3: Please note that this order will be placed on a Compliance Hold. Please reach out to sac-support@cisco.com to check if this order meets eligibility criteria for hold removal. Note that the order will remain on compliance hold if you do not reach out to sac-support@cisco.com to request eligibility check. (CE202322)
 4: Please note that each UCSX 9508 Chassis can consume maximum 8 Servers. If You have more number of Servers selected than number of Chassis currently you have can consume, consider selecting Additional Spare Chassis: UCSX-9508-D= (CE202322)

Available Components	Unit List Price (USD)
UCSX MODULAR SERVER	
UCS 9500 CHASSIS	
UCSX-9508-D= UCS 9508 Chassis Estimated Lead Time: 21 days	8,530.96
FABRIC INTERCONNECT	
CISCO INTERSIGHT	

Product	Unit List Price (USD)	Adjusted List Price (USD)	Qty	Extended List Price (USD)
UCSX-215C-M8-U UCS X215c M8 Compute Node 2S		21,692.46	3	271,802.79
UCSX-215C-M8-FRE UCS X215c M8 R2L Free Compute Node 2S		3,237.00	1	3,237.00

- a. Please note that each UCSX 9508 Chassis can consume maximum 8 Servers. If You have more number of Servers selected than number of Chassis currently you have can consume, consider selecting Additional Spare Chassis: UCSX-9508-D=

Step 13.

Fabric Interconnect

UCSX-FI-6536-D-U
UCSX-FI-64108-D-U
UCSX-FI-6454-D-U

Software Image
Software License
Power Supply

Bundle Configuration: UCSX-R2L-M8-OFFER
Estimated Lead Time: 182 days
Price List: Global Price List (USD) 275,039.79

Set service preferences for this configuration

1: CISCO INTERSIGHT requires a minimum of 1 component(s). Please add additional quantities as necessary. (CE100010)
2: The category CISCO INTERSIGHT is required. (CE100103)
3: Please note that this order will be placed on a Compliance Hold. Please reach out to sac-support@cisco.com to check if this order meets eligibility criteria for hold removal. Note that the order will remain on compliance hold if you do not reach out to sac-support@cisco.com to request eligibility check. (CE202322)
4: Please note that each UCSX 9508 Chassis can consume maximum 8 Servers. If you have more number of Servers selected than number of Chassis currently you have can consume, consider selecting Additional Spare Chassis: UCSX-9508-D= (CE202322)

Available Components	Unit List Price (USD)
UCSX MODULAR SERVER	
UCS 9500 CHASSIS	
FABRIC INTERCONNECT	
UCSX-FI-6536-D-U Fabric Interconnect 6536 for IMM Estimated Lead Time: 21 days	22,110.00
UCSX-FI-64108-D-U UCS Fabric Interconnect 64108 Estimated Lead Time: 21 days	41,938.65
UCSX-FI-6454-D-U UCS Fabric Interconnect 6454 Estimated Lead Time: 21 days	29,034.45
CISCO INTERSIGHT	

Product	Unit List Price (USD)	Adjusted List Price (USD)	Qty	Extended List Price (USD)
UCSX-215C-M8-U UCS X215c M8 Compute Node 2S		21,692.46	3	271,802.79
UCSX-215C-M8-FRE UCS X215c M8 R2L Free Compute Node 2S		3,237.00	1	3,237.00

UCSX MODULAR SERVER > 4 Selected (Min 4, Max 400)

UCS 9500 CHASSIS > 0 Selected (Min 0, Max 99)

FABRIC INTERCONNECT > 0 Selected (Min 0, Max 99999)

CISCO INTERSIGHT > 0 Selected (Min 1, Max 1)

b. Fabric Interconnect (FI) is an optional selection under this MLB

c. You can select the required FI accordingly.

Step 14.

Cisco Intersight → **DC-MGT-SAAS**

Bundle Configuration: UCSX-R2L-M8-OFFER | Estimated Lead Time: 182 days | Price List: Global Price List (USD) | 275,039.79

Set service preferences for this configuration

1: The quantity of Cisco Intersight Infrastructure Services under Offer: DC-MGT-SAAS should be equal to the quantity of Server selected. Please adjust the quantity. (CE200648)
2: Please note that this order will be placed on a Compliance Hold. Please reach out to sac-support@cisco.com to check if this order meets eligibility criteria for hold removal. Note that the order will remain on compliance hold if you do not reach out to sac-support@cisco.com to request eligibility check. (CE202322)
3: Please note that each UCSX 9508 Chassis can consume maximum 8 Servers. If you have more number of Servers selected than number of Chassis currently you have can consume, consider selecting Additional Spare Chassis: UCSX-9508-D= (CE202322)

DC-MGT-SAAS has been added to the bundle category CISCO INTERSIGHT.

Available Components	Unit List Price (USD)
UCSX MODULAR SERVER	
UCS 9500 CHASSIS	
FABRIC INTERCONNECT	
CISCO INTERSIGHT	
DC-MGT-SAAS Cisco Intersight SaaS	+
CNDL-DESELECT-D Conditional Deselect Estimated Lead Time: --	+

Product	Unit List Price (USD)	Adjusted List Price (USD)	Qty	Extended List Price (USD)
UCSX-215C-M8-U Valid UCS X215c M8 Compute Node 2S Add Custom Name Edit Options Edit Services/Subscriptions Remove Line		21,692.46	3	271,802.79
UCSX-215C-M8-FRE Valid UCS X215c M8 R2L Free Compute Node 2S Add Custom Name Edit Options Edit Services/Subscriptions Remove Line		3,237.00	1	3,237.00

Add a UCSX MODULAR SERVER from the left panel

Add a UCS 9500 CHASSIS from the left panel

Add a FABRIC INTERCONNECT from the left panel

Product	Unit List Price (USD)	Adjusted List Price (USD)	Qty	Extended List Price (USD)
DC-MGT-SAAS Invalid Cisco Intersight SaaS Add Custom Name Edit Options Remove Line		0.00	1	0.00

Requested Start Date: 11-Aug-2024 | Requested For: 36 Months From 11-Aug-2024 To 10-Aug-2027 12 Months On 11-Aug-2027 | Automatically Renews For: | Billing Frequency: Prepaid Term

- a. It is recommended that Term Duration for HW Support align with Software Subscription Duration.
- b. Intersight is a required selection, if you have not previously purchased Cisco Intersight Software. Please make selection by clicking “PLUS”. Click on Edit Options to configure.

Step 15.

Cisco Intersight

➔
DC-MGT-SAAS

Offer Configuration DC-MGT-SAAS(Part of UCSX-R2L-M8-OFFER)	Estimated Lead Time NA	Price List Global Price List (USD)	Total (USD) 0.00
Requested Terms and Billing			
Requested Start Date 11-Aug-2024	Requested For 36 Months From 11-Aug-2024 To 10-Aug-2027	Automatically Renews For 12 Months On 11-Aug-2027	Billing Frequency Prepaid Term

i Cisco will apply a standard lead time to your requested start date based on the selected product. Cisco may not be able to honor the requested start date (RSD). In some cases, our systems may require additional lead-time to provision your services. Submitting a RSD that is too early could cause customer subscription billing issues. Verify the requested start date with your implementation team that aligns with customer deployment readiness. (C0742)

2: Your subscription will start and be eligible to be invoiced: i) 30 days or less (7 days for A-FLEX/A-FLEX-3/A-WHOLESALE) after Cisco notifies you that any portion of the subscription is ready for you to provision OR, ii) the day any portion of the subscription is provisioned by Cisco, whichever of the two events happens first. (C01007)

REQUESTED FOR **36 Months** From 11-Aug-2024 To 10-Aug-2027

Requested Start Date Day Month Year 11 Aug 2024 ← a <p><small>Enter any date up between 08-Aug-2024 and 05-Nov-2024</small></p>	End Date <input checked="" type="radio"/> Effective For 36 Months ← b <small>Enter any whole month value from 1-96</small> <input type="radio"/> Co-Term to an End Date Day Month Year 10 Aug 2027 ← b <small>Enter any date up between 08-Nov-2024 and 10-Aug-2032</small>
--	--

Automatically Renews For 12 Months On 11-Aug-2027 Auto Renewal ← b <input checked="" type="checkbox"/> On 12 Months	Billing Frequency Prepaid Term ← b <input checked="" type="radio"/> Prepaid Term <input type="radio"/> Annual Billing <input type="radio"/> Quarterly Billing <input type="radio"/> Monthly Billing
---	--

Cancel
Save Changes

- a. **Requested Start Date (RSD)** is now dependent on HW Ship Date and will automatically starts when the HW ships. If you change the **RSD**, the Software will start either on the **RSD** you picked or the HW Ship Date whichever is later.
- b. **End Date** (duration in months) is defaulted to **36 Months**, **Auto Renewal** (on/off) is defaulted to **On** and **Billing Frequency** is defaulted to **Prepaid Term**. You can still change the setting accordingly.

Step 16.

Offer Configuration: DC-MGT-SAAS(Part of UCSX-R2L-M8-OFFER) | Estimated Lead Time: NA | Global Price List (USD): 0.00

Requested Terms and Billing

Requested Start Date: 11-Aug-2024 | Requested For: 36 Months From 11-Aug-2024 To 10-Aug-2027 | Automatically Renews For: 12 Months On 11-Aug-2027 | Billing Frequency: Prepaid Term

Configuration Summary

Cisco Intersight 2.0 Infrastructure Services

SKU	Qty	List Price
SVS-DCM-SUPT-BAS	1 Each	\$0.00 Per Each/Month
Total		\$0.00

Buttons: Restore Configuration, Cancel, Review Changes

DC-MGT-SAAS > Cisco Intersight 2.0 Infrastructure Services

Device	SKU	Description	Unit List Price (USD)	Action
Qty	DC-MGT-IS-SAAS-ES SA	Infrastructure Services SaaS/CVA - Essentials	Enter Qty to see List Price Per Device/Month	🗑️
Qty	DC-MGT-IS-SAAS-AD SA	Infrastructure Services SaaS/CVA - Advantage	Enter Qty to see List Price Per Device/Month	🗑️
Qty	DC-MGT-IS-PVAPP-ES SA	Infrastructure Services PVA - Essentials	Enter Qty to see List Price Per Device/Month	🗑️
Qty	DC-MGT-IS-PVAPP-AD SA	Infrastructure Services PVA - Advantage	Enter Qty to see List Price Per Device/Month	🗑️

Add-Ons

Device	SKU	Description	Unit List Price (USD)	Action
Qty	DC-MGT-IS-UCSD	UCS Director - 1 Server License (includes Network, Storage)	Enter Qty to see List Price Per Device/Month	🗑️

- a. The quantity of Cisco Intersight 2.0 Infrastructure Services License under Offer: DC-MGT-SAAS should be equal to the quantity of Server selected. Enter the quantity.

Step 17.

Cisco Intersight

➔
DC-MGT-SAAS

Offer Configuration DC-MGT-SAAS(Part of UCSX-R2L-M8-OFFER)	Estimated Lead Time NA	Price List Global Price List (USD)	Total (USD) 5,040.00
--	---------------------------	---------------------------------------	-------------------------

Requested Terms and Billing

Requested Start Date 11-Aug-2024	Requested For 36 Months From 11-Aug-2024 To 10-Aug-2027	Automatically Renews For 12 Months On 11-Aug-2027	Billing Frequency Prepaid Term
-------------------------------------	--	--	-----------------------------------

Please note that Cisco recommends Solution Support with Intersight which solves complex issues on average 44% faster than product support. For complete details, please refer to the following URL: <https://www.cisco.com/c/en/us/customer-experience/support/solution-support.html> (CE202322)

Your subscription will start and be eligible to be invoiced: i) 30 days or less (7 days for A-FLEX/A-FLEX-3/A-WHOLESALE) after Cisco notifies you that any portion of the subscription is ready for you to provision OR, ii) the day any portion of the subscription is provisioned by Cisco, whichever of the two events happens first. (C01007)

Configuration Summary

SKU	Qty	List Price	
Cisco Intersight 2.0 Infrastructure Services			
DC-MGT-IS-SAAS-ES	4 <small>Device</small>	\$35.00 <small>Per Device/Month</small>	
Cisco Intersight Workload Optimizer (IWO) - SaaS			
Cisco Intersight Support			
SVS-DCM-SUPT-BAS	1 <small>Each</small>	\$0.00 <small>Per Each/Month</small>	
Total		\$5,040.00	

Restore Configuration
Cancel
Review Changes

DC-MGT-SAAS > Cisco Intersight Support

Each	SKU	Description	Unit List Price (USD)	Action
<input type="text" value="Qty"/>	SVS-SSTCS-DCMGMT <small>SA</small>	Solution Support for DC Mgmt	Enter Qty to see List Price <small>Per Each/Month</small>	
<input type="text" value="Qty"/>	SVS-L1DCS-INTER <small>SA</small>	CXL1 for INTERSIGHT	Enter Qty to see List Price <small>Per Each/Month</small>	
<input type="text" value="Qty"/>	SVS-L2DCS-INTER <small>SA</small>	CXL2 for INTERSIGHT	Enter Qty to see List Price <small>Per Each/Month</small>	
<input type="text" value="1"/>	SVS-DCM-SUPT-BAS	Basic Support for DCM	\$0.00 <small>Per Each/Month</small>	

- a. The Cisco Intersight License comes with separate Support. Basic Embedded Support is the default selection. It is recommended that Customer should upgrade to Solution Support or CX Success Track L1 or L2 for the HW.

Step 18.

- a. Configuration for MLB is completed when status of each Product is Valid and warning messages are cleared.
- b. Click on the “PLUS” to expand and view the selections made for each Product.
- c. Click on the “DONE” to complete the MLB Configuration.

Scenario 2: Customer With Enterprise Agreement for Cisco Intersight Software License

Step 1.



Add by SKU Description and Product Family ← a ← Import Saved Configuration ⓘ 💡 📱 👛 Estimate Preferences ▾ ⋮

Lines View ☰ ☰ Apply Success Track Manage Groups Remove Selected Lines More Actions ▾ Zero List Price Items Hide Show 🔍 Search Estimate Line Items ⌕

	Hardware, Software and Services	Estimated Lead Time (Days)	Unit List Price (USD)	Qty	Unit Net Price (USD)	Discounts (%)	Extended Net Price (USD)
☑	1.0 UCSX-R2L-M8-OFFER ⚠ Invalid as of 08-Aug-2024 12:19:41 PDT UCSX Refuse to Lose M8 Offer	Not Applicable	0.00	1	0.00	0.00	0.00

b → Select Options Validate Recommended Content Add Note Add Subtotal Copy Remove Line

- a. In CCW, search for MLB PID and click on “Add”
- b. Click on “Select Options” to enter the configurator.

Step 2.

UCSX Modular Server

UCSX-215C-M8-U

CPU

Memory

Drives

Bundle Configuration: UCSX-R2L-M8-OFFER
Estimated Lead Time: 182 days
Global Price List (USD): 29,843.50

Set service preferences for this configuration

1: CISCO INTERSIGHT requires a minimum of 1 component(s). Please add additional quantities as necessary. (CE100010)
2: The category CISCO INTERSIGHT is required. (CE100103)
3: Please note that this order will be placed on a Compliance Hold. Please reach out to sac-support@cisco.com to check if this order meets eligibility criteria for hold removal. Note that the order will remain on compliance hold if you do not reach out to sac-support@cisco.com to request eligibility check. (CE202322)
4: Please note that each UCSX 9508 Chassis can consume maximum 8 Servers. If You have more number of Servers selected than number of Chassis currently you have can consume, consider selecting Additional Spare Chassis: UCSX-9508-D- (CE202322)

Available Components	Unit List Price (USD)
UCSX MODULAR SERVER	
UCSX-215C-M8-U UCS X215c M8 Compute Node 2S 3 required Estimated Lead Time: 182 days	8,542.50
UCSX-215C-M8-FRE UCS X215c M8 R2L Free Compute Node 2S 1 required Estimated Lead Time: --	0.00
UCS 9500 CHASSIS	
FABRIC INTERCONNECT	
CISCO INTERSIGHT	

UCSX MODULAR SERVER	Product	Unit List Price (USD)	Adjusted List Price (USD)	QTY	Extended List Price (USD)
Invalid	UCSX-215C-M8-U UCS X215c M8 Compute Node 2S	9,621.50	9,621.50	3	28,864.50
	UCSX-215C-M8-FRE UCS X215c M8 R2L Free Compute Node 2S	1,079.00	1,079.00	1	1,079.00

- Paid Node: UCSX-215C-M8-U is preselected with QTY 3 and can be selected in QTY of 3,6,9,12,15,18,21,24,27,30.....300.
- Notice the UCSX-215C-M8-U ATO Status is invalid as further configuration needed.
- Select 'Edit Options' to enter the configurator.

Step 3.

UCSX Modular Server

↓

UCSX-215C-M8-U **CPU**
Memory
Drives

Product Configuration: UCSX-215C-M8-U part of UCSX-R... OFFER Estimated Lead Time: 182 days Price List: Global Total (USD): 8,542.50

Warnings:

- 1: A selection from Infrastructure and Workload is required. Please adjust the selections. (CE200277)
- 2: A selection of either UCSX-ML-V5Q50G-D or UCSX-MLV5D200GV2D from Rear MEZZ - MLOM/PCI is required. Please adjust the selections. (CE200096)
- 3: UCSX-215C-M8-U quantity 1 requires a minimum quantity of 1 from Processor (CE100012)
- 4: UCSX-215C-M8-U quantity 1 requires a minimum quantity of 1 from Security Options (CE100012)

Configuration Summary View Full Summary

Category	Qty	Extended List Price (USD)
Processor		
Memory		
Front MEZZ - Controller		
Rear MEZZ - MLOM/PCI		
Storage Drives		
SATA M.2		
NVMe Boot		
Security Options		
XSeries ComputeNode SW		
Total		8,542.50
Estimated Lead Time		182 days

UCSX-215C-M8-U > Processor

SKU	Qty	Estimated Lead Time	Unit List Price (USD)
<input type="radio"/> UCSX-CPU-A9654 <small>PLM</small> AMD 9654 2.4GHz 360W 96C/384MB Cache DDR5 4800MT/s	Qty	182 days	22,661.77
<input type="radio"/> UCSX-CPU-A9124 <small>PLM</small> AMD 9124 3.0GHz 200W 16C/64MB Cache DDR5 4800MT/s	Qty	45 days	3,543.27
<input type="radio"/> UCSX-CPU-A9224 <small>PLM</small> AMD 9224 2.5GHz 200W 24C/64MB Cache DDR5 4800MT/s	Qty	45 days	5,320.59
<input type="radio"/> UCSX-CPU-A9254 <small>PLM</small> AMD 9254 2.9GHz 200W 24C/128MB Cache DDR5 4800MT/s	Qty	182 days	6,552.21
<input type="radio"/> UCSX-CPU-A9334 <small>PLM</small> AMD 9334 2.7GHz 210W 32C/128MB Cache DDR5 4800MT/s	Qty	182 days	8,390.16

Reset Configuration Cancel Done

- Configure UCSX-215C-M8-U by selecting peripherals from category window on the left.
- PIDs are listed in the window on the right. Some PIDs like Memory and Drives are grouped according to type or series; select from the grouped options located above SKU window on the right.
- Follow warning messages to configure the minimum required option PIDs.
- Select Done when completed.

Step 4.

UCSX Modular Server

UCSX-215C-M8-U

CPU
Memory
Drives

Bundle Configuration: UCSX-R2L-M8-OFFER
Estimated Lead Time: 182 days
Price List: Global Price List (USD)

Set service preferences for this configuration

1: CISCO INTERSIGHT requires a minimum of 1 component(s). Please add additional quantities as necessary. (CE100010)
 2: The category CISCO INTERSIGHT is required. (CE100103)
 3: Please note that this order will be placed on a Compliance Hold. Please reach out to sac-support@cisco.com to check if this order meets eligibility criteria for hold removal. Note that the order will remain on compliance hold if you do not reach out to sac-support@cisco.com to request eligibility check. (CE202322)
 4: Please note that each UCSX 9508 Chassis can consume maximum 8 Servers. If you have more number of Servers selected than number of Chassis currently you have can consume, consider selecting Additional Spare Chassis: UCSX-9508-D-. (CE202322)

Available Components	Unit List Price (USD)	Product	Unit List Price (USD)	Adjusted List Price (USD)	Quantity	Extended List Price (USD)
UCSX-215C-M8-U UCS X215c M8 Compute Node 2S 3 required Estimated Lead Time: 182 days	8,542.50	UCSX-215C-M8-U Valid	19,534.46	19,534.46	3	265,328.79
UCSX-215C-M8-FRE UCS X215c M8 R2L Free Compute Node 2S 1 required	0.00	UCSX-215C-M8-FRE Invalid	1,079.00	1,079.00	1	1,079.00

- Note Status is now showing as Valid.
- Increase the quantity for multiples of same configuration.
- Click the “PLUS” to add and configure the same product with different option/quantities or select a different product.

Step 5.

UCSX Modular Server

UCSX-215C-M8-U → **Services/Subscriptions**

Bundle Configuration: UCSX-R2L-M8-OFFER
 Estimated Lead Time: 182 days
 Price List: Global Price List (USD)
 Total: 266,407.79

Set service preferences for this configuration

1: CISCO INTERSIGHT requires a minimum of 1 component(s). Please add additional quantities as necessary. (CE100010)
 2: The category CISCO INTERSIGHT is required. (CE100103)
 3: Please note that this order will be placed on a Compliance Hold. Please reach out to sac-support@cisco.com to check if this order meets eligibility criteria for hold removal. Note that the order will remain on compliance hold if you do not reach out to sac-support@cisco.com to request eligibility check. (CE202322)
 4: Please note that each UCSX 9508 Chassis can consume maximum 8 Servers. If you have more number of Servers selected than number of Chassis currently you have can consume, consider selecting Additional Spare Chassis: UCSX-9508-D-. (CE202322)

Available Components	Unit List Price (USD)
UCSX-215C-M8-U UCS X215c M8 Compute Node 2S 3 required Estimated Lead Time: 182 days	8,542.50
UCSX-215C-M8-FRE UCS X215c M8 R2L Free Compute Node 2S 1 required Estimated Lead Time: --	0.00

Product	Unit List Price (USD)	Adjusted List Price (USD)	Qty	Extended List Price (USD)
UCSX-215C-M8-U Valid UCS X215c M8 Compute Node 2S Add Custom Name Edit Options Edit Services/Subscriptions Remove Line		19,534.46	3	265,328.79
UCSX-215C-M8-FRE Invalid UCS X215c M8 R2L Free Compute Node 2S Add Custom Name Edit Options Edit Services/Subscriptions Remove Line		1,079.00	1	1,079.00

UCSX MODULAR SERVER > 4 Selected (Min 4, Max 400)

UCS 9500 CHASSIS > 0 Selected (Min 0, Max 99)

FABRIC INTERCONNECT > 0 Selected (Min 0, Max 99999)

CISCO INTERSIGHT > 0 Selected (Min 1, Max 1)

Check Path Translation

a. Click on “Edit Services/Subscriptions” to edit Term Duration for HW Support.

Note: It is recommended that Term Duration for HW Support must align with Software Subscription Duration.

Step 6.

UCSX Modular Server

Service Subscription: UCSX-215C-M8-U Price List: UCSX-215C-M8-U Service Price: 3,237.00

Services/Subscriptions

Service Options

Choose Service Level from: All Service Programs

Time Duration: Duration (selected) Delay service start to Co-Term service to

Duration: **a**

b

Service SKU	Product SKU	Unit List Price (USD)	Qty	Total List Price (USD)
Cisco Customer Experience Level 1 (1 ITEM) SERVICE PROGRAM	L1NCO (CX LEVEL 1 8X7XNCDOS) SUMMARY			
CON-L1NCO-UCSX2CMU CX LEVEL 1 8X7XNCDOS UCS X215c M8 Compute N...	UCSX-215C-M8-U UCS X215c M8 Compute Node 2S	3,237.00	1	3,237.00

Configuration Summary All prices shown in USD

b

- a. Enter the Term Duration
- b. Click on “Apply” and “Done”

Step 7.

The screenshot displays the Cisco UCS configuration interface. At the top, a green box labeled "UCSX Modular Server" has an arrow pointing to a table of selected components. Above the table, a dark blue box contains "UCSX-215C-M8-FRE". To the right, three green boxes are stacked vertically, labeled "CPU", "Memory", and "Drives".

The interface shows a bundle configuration for "UCSX-R2L-M8-OFFER" with an estimated lead time of 182 days and a global price of 2,881.79. Below this, there are service preference warnings and a list of available components. The "Available Components" list includes:

- UCSX-215C-M8-U (Unit List Price: 8,542.50, Estimated Lead Time: 182 days)
- UCSX-215C-M8-FRE (Unit List Price: 0.00, Estimated Lead Time: --)
- UCS 9500 CHASSIS
- FABRIC INTERCONNECT
- CISCO INTERSIGHT

The main table shows the following selected items:

Product	Unit List Price (USD)	Adjusted List Price (USD)	Qty	Extended List Price (USD)
UCSX-215C-M8-U Valid		21,692.46	3	271,802.79
UCSX-215C-M8-FRE Invalid	1,079.00	1,079.00	1	1,079.00

Annotations 'a', 'b', and 'c' are placed on the interface:

- 'a' points to the quantity field for UCSX-215C-M8-FRE.
- 'b' points to the 'Invalid' status of UCSX-215C-M8-FRE.
- 'c' points to the 'Edit Options' link for UCSX-215C-M8-FRE.

- Free Node: UCSX-215C-M8-FRE is preselected with QTY 1 and can be selected in QTY of **(QTY of Paid Node: UCSX-215C-M8-U / 3)**.
- Notice the UCSX-215C-M8-FRE ATO Status is invalid as further configuration needed.
- Click on 'Edit Option' to enter the configurator.

Note: Configuration of Paid Node and Free Node should be identical.

Step 8.

UCSX Modular Server

UCSX-215C-M8-FRE → **CPU**, **Memory**, **Drives**

Product Configuration: UCSX-215C-M8-FRE part of UCSX-215C-M8-OFFER | Estimated Lead Time: 21 days | Price List: Global Price List in US Dollars

Warnings:

- 1: A selection from Infrastructure and Workload is required. Please adjust the selections. (CE200277)
- 2: A selection of either UCSX-ML-V5Q50G-D or UCSX-MLV5D200GV2D from Rear MEZZ - MLOM/PCI is required. Please adjust the selections. (CE200096)
- 3: UCSX-215C-M8-FRE quantity 1 requires a minimum quantity of 1 from Processor (CE100012)
- 4: UCSX-215C-M8-FRE quantity 1 requires a minimum quantity of 1 from Security Options (CE100012)

Configuration Summary

Category	Qty	Extended List Price (USD)
Processor		
Memory		
Front MEZZ - Controller		
Rear MEZZ - MLOM/PCI		
Storage Drives		
SATA M.2		
NVMe Boot		
Security Options		
XSeries ComputeNode SW		
Total		0.00
Estimated Lead Time		21 days

Processor Options Table:

SKU	Qty	Estimated Lead Time	Unit List Price (USD)
UCSX-CPU-A9654	Qty	182 days	0.00
UCSX-CPU-A9124	Qty	45 days	0.00
UCSX-CPU-A9224	Qty	45 days	0.00
UCSX-CPU-A9254	Qty	182 days	0.00
UCSX-CPU-A9334	Qty	182 days	0.00

Buttons: Cancel, Done

- Configure UCSX-215C-M8-FRE by selecting peripherals from category window on the left.
- PIDs are listed in the window on the right. Some PIDs like Memory and storage drives are grouped according to type or series; select from the grouped options located above SKU window on the right.
- Follow warning messages to configure the minimum required option PIDs.
- Click on “Done” when completed.

Step 9.

UCSX Modular Server

↓

CPU
Memory
Drives

Bundle Configuration: UCSX-R2L-M8-OFFER
Estimated Lead Time: 182 days
Price List: Global Price List (USD)

Set service preferences for this configuration

Available Components

Component	Unit List Price (USD)
UCSX-215C-M8-U UCS X215c M8 Compute Node 2S 3 required Estimated Lead Time: 182 days	8,542.50
UCSX-215C-M8-FRE UCS X215c M8 R2L Free Compute Node 2S 1 required Estimated Lead Time: --	0.00

UCSX MODULAR SERVER > 4 Selected (Min 4, Max 400)

Product	Unit List Price (USD)	Adjusted List Price (USD)	Qty	Extended List Price (USD)
UCSX-215C-M8-U Valid UCS X215c M8 Compute Node 2S Add Custom Name Edit Options Edit Services/Subscriptions Remove Line		21,692.46	3	271,802.79
UCSX-215C-M8-FRE Valid UCS X215c M8 R2L Free Compute Node 2S Add Custom Name Edit Options Edit Services/Subscriptions Remove Line		1,079.00	1	1,079.00

UCS 9500 CHASSIS > 0 Selected (Min 0, Max 99)
FABRIC INTERCONNECT > 0 Selected (Min 0, Max 99999)
CISCO INTERSIGHT > 0 Selected (Min 1, Max 1)

- a. Note Status is now showing as “Valid”.
- b. Increase the quantity for multiples of same configuration.
- c. Click the “PLUS” to add and configure the same product with different option/quantities or select a different product.

Step 10.

UCSX Modular Server

↓

UCSX-215C-M8-FRE → **Services/Subscriptions**

Bundle Configuration: UCSX-R2L-M8-OFFER | Estimated Lead Time: 182 days | Price List: Global Price List (USD) | 272,861.79

Set service preferences for this configuration Cancel Done

1: CISCO INTERSIGHT requires a minimum of 1 component(s). Please add additional quantities as necessary. (CE100010)
2: The category CISCO INTERSIGHT is required. (CE100103)
3: Please note that this order will be placed on a Compliance Hold. Please reach out to sac-support@cisco.com to check if this order meets eligibility criteria for hold removal. Note that the order will remain on compliance hold if you do not reach out to sac-support@cisco.com to request eligibility check. (CE202322)
4: Please note that each UCSX 9508 Chassis can consume maximum 8 Servers. If you have more number of Servers selected than number of Chassis currently you have can consume, consider selecting Additional Spare Chassis. UCSX-9508-D-. (CE202322)

Available Components	Unit List Price (USD)
UCSX MODULAR SERVER	
UCSX-215C-M8-U UCS X215c M8 Compute Node 2S 3 required Estimated Lead Time: 182 days	8,542.50
UCSX-215C-M8-FRE UCS X215c M8 R2L Free Compute Node 2S 1 required Estimated Lead Time: --	0.00
UCS 9500 CHASSIS	
FABRIC INTERCONNECT	
CISCO INTERSIGHT	

UCSX MODULAR SERVER > 4 Selected (Min 4, Max 400)	Unit List Price (USD)	Adjusted List Price (USD)	Qty	Extended List Price (USD)
UCSX-215C-M8-U Valid UCS X215c M8 Compute Node 2S Add Custom Name Edit Options Edit Services/Subscriptions Remove Line		21,692.46	3	271,802.79
UCSX-215C-M8-FRE Valid a UCS X215c M8 R2L Free Compute Node 2S Add Custom Name Edit Options Edit Services/Subscriptions Remove Line		1,079.00	1	1,079.00

UCS 9500 CHASSIS > 0 Selected (Min 0, Max 99)
Add a UCS 9500 CHASSIS from the left panel

FABRIC INTERCONNECT > 0 Selected (Min 0, Max 99999)
Add a FABRIC INTERCONNECT from the left panel

CISCO INTERSIGHT > 0 Selected (Min 1, Max 1)
Add a CISCO INTERSIGHT from the left panel

[Check Path Translation](#)

a. Click on “Edit Services/Subscriptions” to edit Term Duration for HW Support.

Note: It is recommended that Term Duration for HW Support must align with Software Subscription Duration.

Step 11.

UCSX Modular Server

Service Subscription UCSX-215C-M8-FRE Price 3,237.00 (USD) **Services/Subscriptions**

UCSX-215C-M8-FRE

You may receive additional discounts because you selected two or more years of service. To review your discounts you can go to the Order or Quoting discount pages. (C0124)

Service Non Serviceable Products

The duration that you entered has been successfully applied to all the services. (C0329)

Service Options

Choose Service Level from All Service Programs

Search by Name & Description

Note: Cisco may still install another compatible service if required. Compatible services are the services that come with primary service and are based on products.

and/or

Time Duration

Duration

Delay service start to

Co-Term service to

Duration 36 **a**

Reset **b** Apply

Service SKU	Product SKU	Unit List Price (USD)	Qty	Total List Price (USD)
Cisco Customer Experience Level 1 (1 ITEM) SERVICE PROGRAM	L1NCO (CX LEVEL 1 8X7XNCDOS) SUMMARY		Duration 36 Months	
CON-L1NCO-UCSX2FRE CX LEVEL 1 8X7XNCDOS UCS X215c M8 R2L Free C... SERVICE SKU	UCSX-215C-M8-FRE UCS X215c M8 R2L Free Compute Node 2S PRODUCT SKU	3,237.00	1	3,237.00

Change Service | Remove Service

Remove All Services Remove All Additional Services

Configuration Summary All prices shown in USD

Services **b**

Cancel Done

- a. Enter the Term Duration.
- b. Click on “Apply” and “Done”

Step 12.

UCS 9500 Chassis

UCSX-9508-D=

IFM

Power Supply

Power Cable

Bundle Configuration: UCSX-R2L-M8-OFFER
 Estimated Lead Time: 182 days

Set service preferences for this configuration

1: CISCO INTERSIGHT requires a minimum of 1 component(s). Please add additional quantities as necessary. (CE100010)
 2: The category CISCO INTERSIGHT is required. (CE100103)
 3: Please note that this order will be placed on a Compliance Hold. Please reach out to sac-support@cisco.com to check if this order meets eligibility criteria for hold removal. Note that the order will remain on compliance hold if you do not reach out to sac-support@cisco.com to request eligibility check. (CE202322)
 4: Please note that each UCSX 9508 Chassis can consume maximum 8 Servers. If You have more number of Servers selected than number of Chassis currently you have can consume, consider selecting Additional Spare Chassis: UCSX-9508-D=. (CE202322)

Available Components	Unit List Price (USD)	UCSX MODULAR SERVER > 4 Selected (Min 4, Max 400)	Unit List Price (USD)	Adjusted List Price (USD)	Qty	Extended List Price (USD)
UCSX MODULAR SERVER		UCSX-215C-M8-U Valid		21,692.46	3	271,802.79
UCS 9500 CHASSIS		UCS X215c M8 Compute Node 2S				
UCSX-9508-D= UCS 9508 Chassis	8,530.96	UCSX-215C-M8-FRE Valid	3,237.00		1	3,237.00
		UCS X215c M8 R2L Free Compute Node 2S				
		Add a UCSX MODULAR SERVER from the left panel				
		UCS 9500 CHASSIS > 0 Selected (Min 0, Max 99)				
		Add a UCS 9500 CHASSIS from the left panel				
		FABRIC INTERCONNECT > 0 Selected (Min 0, Max 99999)				
		Add a FABRIC INTERCONNECT from the left panel				
		CISCO INTERSIGHT > 0 Selected (Min 1, Max 1)				
		Add a CISCO INTERSIGHT from the left panel				

- a. Please note that each UCSX 9508 Chassis can consume maximum 8 Servers. If You have more number of Servers selected than number of Chassis currently you have can consume, consider selecting Additional Spare Chassis: UCSX-9508-D=

Step 13.

Fabric Interconnect

UCSX-FI-6536-D-U
UCSX-FI-64108-D-U
UCSX-FI-6454-D-U

Software Image
Software License
Power Supply

Bundle Configuration: UCSX-R2L-M8-OFFER
Estimated Lead Time: 182 days
Price List: Global Price List (USD) 275,039.79

Set service preferences for this configuration

1: CISCO INTERSIGHT requires a minimum of 1 component(s). Please add additional quantities as necessary. (CE100010)
2: The category CISCO INTERSIGHT is required. (CE100103)
3: Please note that this order will be placed on a Compliance Hold. Please reach out to sac-support@cisco.com to check if this order meets eligibility criteria for hold removal. Note that the order will remain on compliance hold if you do not reach out to sac-support@cisco.com to request eligibility check. (CE202322)
4: Please note that each UCSX 9508 Chassis can consume maximum 8 Servers. If you have more number of Servers selected than number of Chassis currently you have can consume, consider selecting Additional Spare Chassis: UCSX-9508-D= (CE202322)

Available Components	Unit List Price (USD)
UCSX MODULAR SERVER	
UCS 9500 CHASSIS	
FABRIC INTERCONNECT	
UCSX-FI-6536-D-U Fabric Interconnect 6536 for IMM Estimated Lead Time: 21 days	22,110.00
UCSX-FI-64108-D-U UCS Fabric Interconnect 64108 Estimated Lead Time: 21 days	41,938.65
UCSX-FI-6454-D-U UCS Fabric Interconnect 6454 Estimated Lead Time: 21 days	29,034.45
CISCO INTERSIGHT	

Product	Unit List Price (USD)	Adjusted List Price (USD)	Qty	Extended List Price (USD)
UCSX-215C-M8-U Valid UCS X215c M8 Compute Node 2S Add Custom Name Edit Options Edit Services/Subscriptions Remove Line		21,692.46	3	271,802.79
UCSX-215C-M8-FRE Valid UCS X215c M8 R2L Free Compute Node 2S Add Custom Name Edit Options Edit Services/Subscriptions Remove Line		3,237.00	1	3,237.00

UCSX MODULAR SERVER > 4 Selected (Min 4, Max 400)

UCS 9500 CHASSIS > 0 Selected (Min 0, Max 99)

FABRIC INTERCONNECT > 0 Selected (Min 0, Max 99999)

CISCO INTERSIGHT > 0 Selected (Min 1, Max 1)

- Fabric Interconnect (FI) is an optional selection under this MLB
- You can select the required FI accordingly.

Step 14.

Cisco Intersight

Bundle Configuration: UCSX-R2L-M8-OFFER | Estimated Lead Time: 182 days | Price: Global Price List (USD) | Total: **CNDL-DESELECT-D**

Set service preferences for this configuration

1: Please note that this order will be placed on a Compliance Hold. Please reach out to sac-support@cisco.com to check if this order meets eligibility criteria for hold removal. Note that the order will remain on compliance hold if you do not reach out to sac-support@cisco.com to request eligibility check. (CE202322)

2: Please note that each UCSX 9508 Chassis can consume maximum 8 Servers. If you have more number of Servers selected than number of Chassis currently you have can consume, consider selecting Additional Spare Chassis: UCSX-9508-D= (CE202322)

3: Please note that Intersight is required selection and needed for the M7 Server to function. All orders with CNDL-DESELECT-D will be manually reviewed for Compliance. (CE202322)

CNDL-DESELECT-D has been added to the bundle category CISCO INTERSIGHT.

Available Components	Unit List Price (USD)
UCSX MODULAR SERVER	
UCS 9500 CHASSIS	
FABRIC INTERCONNECT	
CISCO INTERSIGHT	
DC-MGT-SAAS Cisco Intersight SaaS	0.00
CNDL-DESELECT-D Conditional Deselect Estimated Lead Time: 7 days	0.00

Product	Unit List Price (USD)	Adjusted List Price (USD)	Qty	Extended List Price (USD)
UCSX MODULAR SERVER > 4 Selected (Min 4, Max 400)				
UCSX-215C-M8-U Valid		21,692.46	3	271,802.79
UCS X215c M8 Compute Node 2S				
Add Custom Name Edit Options Edit Services/Subscriptions Remove Line				
UCSX-215C-M8-FRE Valid		3,237.00	1	3,237.00
UCS X215c M8 R2L Free Compute Node 2S				
Add Custom Name Edit Options Edit Services/Subscriptions Remove Line				
Add a UCSX MODULAR SERVER from the left panel				
UCS 9500 CHASSIS > 0 Selected (Min 0, Max 99)				
Add a UCS 9500 CHASSIS from the left panel				
FABRIC INTERCONNECT > 0 Selected (Min 0, Max 99999)				
Add a FABRIC INTERCONNECT from the left panel				
CISCO INTERSIGHT > 1 Selected (Min 1, Max 1)				
CNDL-DESELECT-D Invalid		0.00	1	0.00
Conditional Deselect				
Add Custom Name Select Options Remove Line				

- a. **CNDL-DESELECT-D** is meant to select only if Customer has already purchased Cisco Intersight License via EA Contract or order is for Disti Fulfillment.
- b. Please note that Intersight is required selection and needed for the M8 Server to function. All orders with CNDL-DESELECT-D will be manually reviewed for Compliance.

Step 15.

Cisco Intersight

→ **CNDL-DESELECT-D**

Product Configuration: CNDL-DESELECT-D part of UCSX-R2L-M8-OFFER Estimated Lead Time: 7 days Price List: Global Price List in US Dollars (USD) Total (USD): 0.00

Configuration Summary [View Full Summary](#)

Category	Qty	Extended List Price (USD)
Reason Codes		
OPTOUT-EA-ONLY	1	0.00

Total 0.00
Estimated Lead Time 7 days

[Reset Configuration](#) [Cancel](#) [Done](#)

CNDL-DESELECT-D > Reason Codes

Reason Codes

SKU	Qty	Estimated Lead Time	Unit List Price (USD)
<input type="radio"/> OPTOUT-DISTI-ONLY <small>For Disti when ordering mandatory licenses separately</small>	1	3 days	0.00
<input checked="" type="radio"/> OPTOUT-EA-ONLY <small>License not needed: Customer already owns Licenses in an EA</small>	1	3 days	0.00
<input type="radio"/> OPTOUT-ENTL-SWAP <small>License not needed: Entitlements updated in Smart Account. More</small>	1	3 days	0.00

[Clear Selection](#) | [Show Incompatible SKUs](#)

a. Please select appropriate Reason Code

Step 16.

- a. Configuration for MLB is completed when status of each Product is Valid and warning messages are cleared.
- b. Click on the “PLUS” to expand and view the selections made for each Product.
- c. Click on the “DONE” to complete the MLB Configuration.

Buy Method Through Distributor (Eg: Direct Customer & Tier 1 Partners)

Scenario 1: Customer Without Enterprise Agreement for Cisco Intersight Software License

Step 1.



← a
← Import Saved Configuration
ⓘ
💡
📱
💰
Estimate Preferences ▾
⋮

Lines View ☰
Apply Success Track
Manage Groups
Remove Selected Lines
More Actions ▾
Zero List Price Items
Hide Show
🔍 Search Estimate Line Items
⌂

	Hardware, Software and Services	Estimated Lead Time (Days)	Unit List Price (USD)	Qty	Unit Net Price (USD)	Discounts (%)	Extended Net Price (USD)
<input type="checkbox"/>	1.0 UCSX-R2L-M8-OFFER ⚠ Invalid as of 08-Aug-2024 12:19:41 PDT UCSX Refuse to Lose M8 Offer	Not Applicable	0.00	1	0.00	0.00	0.00

b →
Select Options
Validate
Recommended Content
Add Note
Add Subtotal
Copy
Remove Line

- a. In CCW, search for MLB PID and click on “Add”
- b. Click on “Select Options” to enter the configurator.

Step 2.

UCSX Modular Server

UCSX-215C-M8-U

CPU

Memory

Drives

Bundle Configuration: UCSX-R2L-M8-OFFER
Estimated Lead Time: 182 days
Global Price List (USD): 29,843.50

Set service preferences for this configuration

1: CISCO INTERSIGHT requires a minimum of 1 component(s). Please add additional quantities as necessary. (CE100010)
2: The category CISCO INTERSIGHT is required. (CE100103)
3: Please note that this order will be placed on a Compliance Hold. Please reach out to sac-support@cisco.com to check if this order meets eligibility criteria for hold removal. Note that the order will remain on compliance hold if you do not reach out to sac-support@cisco.com to request eligibility check. (CE202322)
4: Please note that each UCSX 9508 Chassis can consume maximum 8 Servers. If You have more number of Servers selected than number of Chassis currently you have can consume, consider selecting Additional Spare Chassis: UCSX-9508-D- (CE202322)

Available Components	Unit List Price (USD)
UCSX MODULAR SERVER	
UCSX-215C-M8-U UCS X215c M8 Compute Node 2S 3 required Estimated Lead Time: 182 days	8,542.50
UCSX-215C-M8-FRE UCS X215c M8 R2L Free Compute Node 2S 1 required Estimated Lead Time: --	0.00
UCS 9500 CHASSIS	
FABRIC INTERCONNECT	
CISCO INTERSIGHT	

UCSX MODULAR SERVER	Product	Unit List Price (USD)	Adjusted List Price (USD)	QTY	Extended List Price (USD)
Invalid	UCSX-215C-M8-U UCS X215c M8 Compute Node 2S	9,621.50	9,621.50	3	28,864.50
	UCSX-215C-M8-FRE UCS X215c M8 R2L Free Compute Node 2S	1,079.00	1,079.00	1	1,079.00

- Paid Node: UCSX-215C-M8-U is preselected with QTY 3 and can be selected in QTY of 3,6,9,12,15,18,21,24,27,30.....300.
- Notice the UCSX-215C-M8-U ATO Status is invalid as further configuration needed.
- Select 'Edit Options' to enter the configurator.

Step 3.

UCSX Modular Server

UCSX-215C-M8-U

CPU
Memory
Drives

Product Configuration: UCSX-215C-M8-U part of UCSX-R... OFFER
Estimated Lead Time: 182 days
Price List: Global
Total (USD): 8,542.50

Configuration Summary

Category	Qty	Extended List Price (USD)
Processor		
Memory		
Front MEZZ - Controller		
Rear MEZZ - MLOM/PCI		
Storage Drives		
SATA M.2		
NVMe Boot		
Security Options		
XSeries ComputeNode SW		
Total		8,542.50
Estimated Lead Time		182 days

Processor Options

SKU	Qty	Estimated Lead Time	Unit List Price (USD)
UCSX-CPU-A9654 AMD 9654 2.4GHz 360W 96C/384MB Cache DDR5 4800MT/s	Qty	182 days	22,661.77
UCSX-CPU-A9124 AMD 9124 3.0GHz 200W 16C/64MB Cache DDR5 4800MT/s	Qty	45 days	3,543.27
UCSX-CPU-A9224 AMD 9224 2.5GHz 200W 24C/64MB Cache DDR5 4800MT/s	Qty	45 days	5,320.59
UCSX-CPU-A9254 AMD 9254 2.9GHz 200W 24C/128MB Cache DDR5 4800MT/s	Qty	182 days	6,552.21
UCSX-CPU-A9334 AMD 9334 2.7GHz 210W 32C/128MB Cache DDR5 4800MT/s	Qty	182 days	8,390.16

- a. Configure UCSX-215C-M8-U by selecting peripherals from category window on the left.
- b. PIDs are listed in the window on the right. Some PIDs like Memory and Drives are grouped according to type or series; select from the grouped options located above SKU window on the right.
- c. Follow warning messages to configure the minimum required option PIDs.
- d. Select Done when completed.

Step 4.

UCSX Modular Server

UCSX-215C-M8-U CPU
Memory
Drives

Bundle Configuration: UCSX-R2L-M8-OFFER Estimated Lead Time: 182 days Price List: Global Price List (USD)

Set service preferences for this configuration Cancel Done

Warnings:

- 1: CISCO INTERSIGHT requires a minimum of 1 component(s). Please add additional quantities as necessary. (CE100010)
- 2: The category CISCO INTERSIGHT is required. (CE100103)
- 3: Please note that this order will be placed on a Compliance Hold. Please reach out to sac-support@cisco.com to check if this order meets eligibility criteria for hold removal. Note that the order will remain on compliance hold if you do not reach out to sac-support@cisco.com to request eligibility check. (CE202322)
- 4: Please note that each UCSX 9508 Chassis can consume maximum 8 Servers. If you have more number of Servers selected than number of Chassis currently you have can consume, consider selecting Additional Spare Chassis: UCSX-9508-D-. (CE202322)

Available Components	Unit List Price (USD)	UCSX MODULAR SERVER > 4 Selected (Min 4, Max 400)	Unit List Price (USD)	Adjusted List Price (USD)	Quantity	Extended List Price (USD)
UCSX-215C-M8-U UCS X215c M8 Compute Node 2S 3 required Estimated Lead Time: 182 days	8,542.50	UCSX-215C-M8-U Valid	19,534.46	19,534.46	3	265,328.79
UCSX-215C-M8-FRE UCS X215c M8 R2L Free Compute Node 2S 1 required	0.00	UCSX-215C-M8-FRE Invalid	1,079.00	1,079.00	1	1,079.00

- Note Status is now showing as Valid.
- Increase the quantity for multiples of same configuration.
- Click the “PLUS” to add and configure the same product with different option/quantities or select a different product.

Step 5.

UCSX Modular Server

UCSX-215C-M8-U → **Services/Subscriptions**

Bundle Configuration: UCSX-R2L-M8-OFFER
 Estimated Lead Time: 182 days
 Price List: Global Price List (USD)
 Total: 266,407.79

Set service preferences for this configuration

1: CISCO INTERSIGHT requires a minimum of 1 component(s). Please add additional quantities as necessary. (CE100010)
 2: The category CISCO INTERSIGHT is required. (CE100103)
 3: Please note that this order will be placed on a Compliance Hold. Please reach out to sac-support@cisco.com to check if this order meets eligibility criteria for hold removal. Note that the order will remain on compliance hold if you do not reach out to sac-support@cisco.com to request eligibility check. (CE202322)
 4: Please note that each UCSX 9508 Chassis can consume maximum 8 Servers. If you have more number of Servers selected than number of Chassis currently you have can consume, consider selecting Additional Spare Chassis: UCSX-9508-D-. (CE202322)

Available Components	Unit List Price (USD)
UCSX-215C-M8-U UCS X215c M8 Compute Node 2S 3 required Estimated Lead Time: 182 days	8,542.50
UCSX-215C-M8-FRE UCS X215c M8 R2L Free Compute Node 2S 1 required Estimated Lead Time: --	0.00

Product	Unit List Price (USD)	Adjusted List Price (USD)	Qty	Extended List Price (USD)
UCSX-215C-M8-U Valid UCS X215c M8 Compute Node 2S Add Custom Name Edit Options Edit Services/Subscriptions Remove Line		19,534.46	3	265,328.79
UCSX-215C-M8-FRE Invalid UCS X215c M8 R2L Free Compute Node 2S Add Custom Name Edit Options Edit Services/Subscriptions Remove Line		1,079.00	1	1,079.00

UCSX MODULAR SERVER > 4 Selected (Min 4, Max 400)

UCS 9500 CHASSIS > 0 Selected (Min 0, Max 99)

FABRIC INTERCONNECT > 0 Selected (Min 0, Max 99999)

CISCO INTERSIGHT > 0 Selected (Min 1, Max 1)

Check Path Translation

a. Click on “Edit Services/Subscriptions” to edit Term Duration for HW Support.

Note: It is recommended that Term Duration for HW Support must align with Software Subscription Duration.

Step 6.

UCSX Modular Server

Service Subscription: UCSX-215C-M8-U Price List: UCSX-215C-M8-U Service Price: 3,237.00

Services/Subscriptions

Service Options

Choose Service Level from: All Service Programs

Time Duration: Duration (selected) Delay service start to Co-Term service to

Duration: **a**

b

Service SKU	Product SKU	Unit List Price (USD)	Qty	Total List Price (USD)
Cisco Customer Experience Level 1 (1 ITEM) SERVICE PROGRAM	L1NCO (CX LEVEL 1 8X7XNCDOS) SUMMARY			
CON-L1NCO-UCSX2CMU CX LEVEL 1 8X7XNCDOS UCS X215c M8 Compute N...	UCSX-215C-M8-U UCS X215c M8 Compute Node 2S	3,237.00	1	3,237.00

b

- a. Enter the Term Duration
- b. Click on “Apply” and “Done”

Step 7.

The screenshot displays the Cisco UCS configuration interface. At the top, a green box labeled "UCSX Modular Server" has an arrow pointing to a table of selected components. Above the table, a dark blue box contains "UCSX-215C-M8-FRE". To the right, three green boxes are stacked vertically, labeled "CPU", "Memory", and "Drives".

The table below shows the configuration details:

Product	Unit List Price (USD)	Adjusted List Price (USD)	Qty	Extended List Price (USD)
UCSX-215C-M8-U Valid UCS X215c M8 Compute Node 2S	8,542.50	21,692.46	3	271,802.79
UCSX-215C-M8-FRE Invalid UCS X215c M8 R2L Free Compute Node 2S	0.00	1,079.00	1	1,079.00

Annotations: 'a' points to the quantity field for UCSX-215C-M8-FRE; 'b' points to the 'Invalid' status; 'c' points to the 'Edit Options' link.

- a. Free Node: UCSX-215C-M8-FRE is preselected with QTY 1 and can be selected in QTY of **(QTY of Paid Node: UCSX-215C-M8-U / 3)**.
- b. Notice the UCSX-215C-M8-FRE ATO Status is invalid as further configuration needed.
- c. Click on 'Edit Option' to enter the configurator.

Note: Configuration of Paid Node and Free Node should be identical.

Step 8.

UCSX Modular Server

UCSX-215C-M8-FRE → **CPU**, **Memory**, **Drives**

Product Configuration: UCSX-215C-M8-FRE part of UCSX-215C-M8-OFFER
 Estimated Lead Time: 21 days
 Price List: Global Price List in US Dollars

Configuration Summary

Category	Qty	Extended List Price (USD)
Processor		
Memory		
Front MEZZ - Controller		
Rear MEZZ - MLOM/PCI		
Storage Drives		
SATA M.2		
NVMe Boot		
Security Options		
XSeries ComputeNode SW		
Total		0.00
Estimated Lead Time		21 days

Processor Options Table:

SKU	Qty	Estimated Lead Time	Unit List Price (USD)
UCSX-CPU-A9654	Qty	182 days	0.00
UCSX-CPU-A9124	Qty	45 days	0.00
UCSX-CPU-A9224	Qty	45 days	0.00
UCSX-CPU-A9254	Qty	182 days	0.00
UCSX-CPU-A9334	Qty	182 days	0.00

- Configure UCSX-215C-M8-FRE by selecting peripherals from category window on the left.
- PIDs are listed in the window on the right. Some PIDs like Memory and storage drives are grouped according to type or series; select from the grouped options located above SKU window on the right.
- Follow warning messages to configure the minimum required option PIDs.
- Click on “Done” when completed.

Step 9.

UCSX Modular Server

UCSX-215C-M8-FRE

CPU

Memory

Drives

Bundle Configuration: UCSX-R2L-M8-OFFER
 Estimated Lead Time: 182 days
 Price List: Global Price List (USD)

Set service preferences for this configuration

1: CISCO INTERSIGHT requires a minimum of 1 component(s). Please add additional quantities as necessary. (CE100010)
 2: The category CISCO INTERSIGHT is required. (CE100103)
 3: Please note that this order will be placed on a Compliance Hold. Please reach out to sac-support@cisco.com to check if this order meets eligibility criteria for hold removal. Note that the order will remain on compliance hold if you do not reach out to sac-support@cisco.com to request eligibility check. (CE202322)
 4: Please note that each UCSX 9508 Chassis can consume maximum 8 Servers. If you have more number of Servers selected than number of Chassis currently you have can consume, consider selecting Additional Spare Chassis: UCSX-9508-D- (CE202322)

Product	Unit List Price (USD)	Adjusted List Price (USD)	Qty	Extended List Price (USD)
UCSX-215C-M8-U Valid	8,542.50	21,692.46	3	271,802.79
UCSX-215C-M8-FRE Valid	0.00	1,079.00	1	1,079.00

Available Components

- UCSX MODULAR SERVER
 - UCSX-215C-M8-U UCS X215c M8 Compute Node 2S 3 required Estimated Lead Time: 182 days
 - UCSX-215C-M8-FRE UCS X215c M8 R2L Free Compute Node 2S 1 required Estimated Lead Time: --
- UCS 9500 CHASSIS
- FABRIC INTERCONNECT
- CISCO INTERSIGHT

UCSX MODULAR SERVER > 4 Selected (Min 4, Max 400)

UCS 9500 CHASSIS > 0 Selected (Min 0, Max 99)

FABRIC INTERCONNECT > 0 Selected (Min 0, Max 99999)

CISCO INTERSIGHT > 0 Selected (Min 1, Max 1)

- Note Status is now showing as “Valid”.
- Increase the quantity for multiples of same configuration.
- Click the “PLUS” to add and configure the same product with different option/quantities or select a different product.

Step 10.

UCSX Modular Server

↓

UCSX-215C-M8-FRE → **Services/Subscriptions**

Bundle Configuration: UCSX-R2L-M8-OFFER | Estimated Lead Time: 182 days | Price List: Global Price List (USD) | 272,861.79

Set service preferences for this configuration Cancel Done

1: CISCO INTERSIGHT requires a minimum of 1 component(s). Please add additional quantities as necessary. (CE100010)
2: The category CISCO INTERSIGHT is required. (CE100103)
3: Please note that this order will be placed on a Compliance Hold. Please reach out to sac-support@cisco.com to check if this order meets eligibility criteria for hold removal. Note that the order will remain on compliance hold if you do not reach out to sac-support@cisco.com to request eligibility check. (CE202322)
4: Please note that each UCSX 9508 Chassis can consume maximum 8 Servers. If you have more number of Servers selected than number of Chassis currently you have can consume, consider selecting Additional Spare Chassis. UCSX-9508-D-. (CE202322)

Available Components	Unit List Price (USD)	UCSX MODULAR SERVER > 4 Selected (Min 4, Max 400)	Unit List Price (USD)	Adjusted List Price (USD)	Qty	Extended List Price (USD)
UCSX-215C-M8-U UCS X215c M8 Compute Node 2S 3 required Estimated Lead Time: 182 days	8,542.50	UCSX-215C-M8-U Valid UCS X215c M8 Compute Node 2S	21,692.46	21,692.46	3	271,802.79
UCSX-215C-M8-FRE UCS X215c M8 R2L Free Compute Node 2S 1 required Estimated Lead Time: --	0.00	UCSX-215C-M8-FRE Valid a UCS X215c M8 R2L Free Compute Node 2S	1,079.00	1,079.00	1	1,079.00
UCS 9500 CHASSIS		Add a UCSX MODULAR SERVER from the left panel				
FABRIC INTERCONNECT		Add a UCS 9500 CHASSIS from the left panel				
CISCO INTERSIGHT		Add a FABRIC INTERCONNECT from the left panel				
		Add a CISCO INTERSIGHT from the left panel				

Check Path Translation

a. Click on “Edit Services/Subscriptions” to edit Term Duration for HW Support.

Note: It is recommended that Term Duration for HW Support must align with Software Subscription Duration.

Step 11.

UCSX Modular Server

Service Subscription: UCSX-215C-M8-FRE
Price: 3,237.00 (USD)

Services/Subscriptions

You may receive additional discounts because you selected two or more years of service. To review your discounts you can go to the Order or Quoting discount pages. (C0124)

The duration that you entered has been successfully applied to all the services. (C0329)

Service Options

Choose Service Level from: All Service Programs

Search by Name & Description

Note: Cisco may still install another compatible service if required. Compatible services are the services that come with primary service and are based on products.

Time Duration: Duration, Delay service start to, Co-Term service to

Duration: 36

Reset Apply

Service SKU	Product SKU	Unit List Price (USD)	Qty	Total List Price (USD)
Cisco Customer Experience Level 1 (1 ITEM) SERVICE PROGRAM	L1NCO (CX LEVEL 1 8X7XNCDOS) SUMMARY		Duration 36 Months	
CON-L1NCO-UCSX2FRE CX LEVEL 1 8X7XNCDOS UCS X215c M8 R2L Free C... SERVICE SKU	UCSX-215C-M8-FRE UCS X215c M8 R2L Free Compute Node 2S PRODUCT SKU	3,237.00	1	3,237.00

Remove All Services Remove All Additional Services

Configuration Summary All prices shown in USD

Services

Cancel Done

- a. Enter the Term Duration.
- b. Click on “Apply” and “Done”

Step 12.

UCS 9500 Chassis

UCSX-9508-D=

IFM

Power Supply

Power Cable

Bundle Configuration: UCSX-R2L-M8-OFFER
Estimated Lead Time: 182 days

Set service preferences for this configuration

1: CISCO INTERSIGHT requires a minimum of 1 component(s). Please add additional quantities as necessary. (CE100010)
 2: The category CISCO INTERSIGHT is required. (CE100103)
 3: Please note that this order will be placed on a Compliance Hold. Please reach out to sac-support@cisco.com to check if this order meets eligibility criteria for hold removal. Note that the order will remain on compliance hold if you do not reach out to sac-support@cisco.com to request eligibility check. (CE202322)
 4: Please note that each UCSX 9508 Chassis can consume maximum 8 Servers. If You have more number of Servers selected than number of Chassis currently you have can consume, consider selecting Additional Spare Chassis: UCSX-9508-D=. (CE202322)

Available Components	Unit List Price (USD)	UCSX MODULAR SERVER > 4 Selected (Min 4, Max 400)	Unit List Price (USD)	Adjusted List Price (USD)	Qty	Extended List Price (USD)
UCSX-9508-D= UCS 9508 Chassis Estimated Lead Time: 21 days	8,530.96	UCSX-215C-M8-U Valid	21,692.46	21,692.46	3	271,802.79
		UCSX-215C-M8-FRE Valid	3,237.00	3,237.00	1	3,237.00

- a. Please note that each UCSX 9508 Chassis can consume maximum 8 Servers. If You have more number of Servers selected than number of Chassis currently you have can consume, consider selecting Additional Spare Chassis: UCSX-9508-D=

Step 13.

Fabric Interconnect

UCSX-FI-6536-D-U
UCSX-FI-64108-D-U
UCSX-FI-6454-D-U

Software Image
Software License
Power Supply

Bundle Configuration: UCSX-R2L-M8-OFFER
Estimated Lead Time: 182 days
Price List: Global Price List (USD) 275,039.79

Set service preferences for this configuration

1: CISCO INTERSIGHT requires a minimum of 1 component(s). Please add additional quantities as necessary. (CE100010)
2: The category CISCO INTERSIGHT is required. (CE100103)
3: Please note that this order will be placed on a Compliance Hold. Please reach out to sac-support@cisco.com to check if this order meets eligibility criteria for hold removal. Note that the order will remain on compliance hold if you do not reach out to sac-support@cisco.com to request eligibility check. (CE202322)
4: Please note that each UCSX 9508 Chassis can consume maximum 8 Servers. If you have more number of Servers selected than number of Chassis currently you have can consume, consider selecting Additional Spare Chassis: UCSX-9508-D= (CE202322)

Available Components	Unit List Price (USD)
UCSX MODULAR SERVER	
UCS 9500 CHASSIS	
FABRIC INTERCONNECT	
UCSX-FI-6536-D-U Fabric Interconnect 6536 for IMM Estimated Lead Time: 21 days	22,110.00
UCSX-FI-64108-D-U UCS Fabric Interconnect 64108 Estimated Lead Time: 21 days	41,938.65
UCSX-FI-6454-D-U UCS Fabric Interconnect 6454 Estimated Lead Time: 21 days	29,034.45
CISCO INTERSIGHT	

Product	Unit List Price (USD)	Adjusted List Price (USD)	Qty	Extended List Price (USD)
UCSX-215C-M8-U UCS X215c M8 Compute Node 2S		21,692.46	3	271,802.79
UCSX-215C-M8-FRE UCS X215c M8 R2L Free Compute Node 2S		3,237.00	1	3,237.00

- Fabric Interconnect (FI) is an optional selection under this MLB
- You can select the required FI accordingly.

Step 14.

Cisco Intersight

CNDL-DESELECT-D

Bundle Configuration: UCSX-R2L-M8-OFFER
 Estimated Lead Time: 182 days
 Price List: Global Price List (USD)
 Total: 0.00

Set service preferences for this configuration

1: Please note that this order will be placed on a Compliance Hold. Please reach out to sac-support@cisco.com to check if this order meets eligibility criteria for hold removal. Note that the order will remain on compliance hold if you do not reach out to sac-support@cisco.com to request eligibility check. (CE202322)
 2: Please note that each UCSX 9508 Chassis can consume maximum 8 Servers. If You have more number of Servers selected than number of Chassis currently you have can consume, consider selecting Additional Spare Chassis: UCSX-9508-D= (CE202322)
 3: Please note that Intersight is required selection and needed for the M7 Server to function. All orders with CNDL-DESELECT-D will be manually reviewed for Compliance. (CE202322)

CNDL-DESELECT-D has been added to the bundle category CISCO INTERSIGHT.

Available Components

Component	Unit List Price (USD)
UCSX MODULAR SERVER	
UCS 9500 CHASSIS	
FABRIC INTERCONNECT	
CISCO INTERSIGHT	
DC-MGT-SAAS Cisco Intersight SaaS	0.00
CNDL-DESELECT-D Conditional Deselect Estimated Lead Time: 7 days	0.00

UCSX MODULAR SERVER > 4 Selected (Min 4, Max 400)

Product	Unit List Price (USD)	Adjusted List Price (USD)	Qty	Extended List Price (USD)
UCSX-215C-M8-U Valid UCS X215c M8 Compute Node 2S		21,692.46	3	271,802.79
UCSX-215C-M8-FRE Valid UCS X215c M8 R2L Free Compute Node 2S		3,237.00	1	3,237.00

UCS 9500 CHASSIS > 0 Selected (Min 0, Max 99)

FABRIC INTERCONNECT > 0 Selected (Min 0, Max 99999)

CISCO INTERSIGHT > 1 Selected (Min 1, Max 1)

Product	Unit List Price (USD)	Adjusted List Price (USD)	Qty	Extended List Price (USD)
CNDL-DESELECT-D Invalid Conditional Deselect		0.00	1	0.00

- a. **CNDL-DESELECT-D** is meant to select only if Customer has already purchased Cisco Intersight License via EA Contract or order is for Disti Fulfillment.

Note: Please note that Intersight is required selection and needed for the M8 Server to function. All orders with CNDL-DESELECT-D will be manually reviewed for Compliance.

Step 15.

Cisco Intersight

CNDL-DESELECT-D

Product Configuration: CNDL-DESELECT-D part of UCSX-R2L-M8-OFFER | Estimated Lead Time: 7 days | Price List: Global Price List in US Dollars (USD) | Total (USD): 0.00

Configuration Summary [View Full Summary](#)

Category	Qty	Extended List Price (USD)
Reason Codes		
OPTOUT-DISTI-ONLY	1	0.00

Reason Codes

SKU	Qty	Estimated Lead Time	Unit List Price (USD)
<input checked="" type="radio"/> OPTOUT-DISTI-ONLY For Disti when ordering mandatory licenses separately	1	3 days	0.00
<input type="radio"/> OPTOUT-EA-ONLY License not needed: Customer already owns Licenses in an EA	1	3 days	0.00
<input type="radio"/> OPTOUT-ENTL-SWAP License not needed: Entitlements updated in Smart Account. More	1	3 days	0.00

[Clear Selection](#) | [Show Incompatible SKUs](#)

Total: 0.00 | Estimated Lead Time: 7 days

[Reset Configuration](#) | [Cancel](#) | [Done](#)

a. Please select appropriate Reason Code

Step 16.

Bundle Configuration: UCSX-R2L-M8-OFFER | Estimated Lead Time: 182 days | Price List: Global Price List (USD) | Total: 275,039.79

Set service preferences for this configuration | Cancel Done

1: Please note that this order will be placed on a Compliance Hold. Please reach out to sac-support@cisico.com to check if this order meets eligibility criteria for hold removal. Note that the order will remain on compliance hold if you do not reach out to sac-support@cisico.com to request eligibility check. (CE202322)

2: Please note that each UCSX 9508 Chassis can consume maximum 8 Servers. If You have more number of Servers selected than number of Chassis currently you have can consume, consider selecting Additional Spare Chassis: UCSX-9508-D-. (CE202322)

3: Please note that Intersight is required selection and needed for the M7 Server to function. All orders with CNDL-DESELECT-D will be manually reviewed for Compliance. (CE202322)

Available Components | Unit List Price (USD)

- UCSX MODULAR SERVER
 - UCSX-215C-M8-U | 8,542.50 | UCS X215c M8 Compute Node 2S 3 required | Estimated Lead Time: 182 days
 - UCSX-215C-M8-FRE | 0.00 | UCS X215c M8 R2L Free Compute Node 2S 1 required | Estimated Lead Time: --
- UCS 9500 CHASSIS
- FABRIC INTERCONNECT
- CISCO INTERSIGHT

UCSX MODULAR SERVER > 4 Selected (Min 4, Max 400)

Product	Unit List Price (USD)	Adjusted List Price (USD)	Qty	Extended List Price (USD)
UCSX-215C-M8-U Valid		21,692.46	3	271,802.79
UCS X215c M8 Compute Node 2S				
UCSX-215C-M8-FRE Valid	3,237.00		1	3,237.00
UCS X215c M8 R2L Free Compute Node 2S				

UCS 9500 CHASSIS > 0 Selected (Min 0, Max 99999)

FABRIC INTERCONNECT > 0 Selected (Min 0, Max 99999)

CISCO INTERSIGHT > 1 Selected (Min 1, Max 1)

Product	Unit List Price (USD)	Adjusted List Price (USD)	Qty	Extended List Price (USD)
CNDL-DESELECT-D Valid		0.00	1	0.00
Conditional Deselect				

- Configuration for MLB is completed when status of each Product is Valid and warning messages are cleared.
- Click on the “PLUS” to expand and view the selections made for each Product.
- Click on the “DONE” to complete the MLB Configuration.

Step 17.

Cisco Intersight → **DC-MGT-SAAS**

by SKU Description and Product Family | Import Saved Configuration | Estimate Preferences

Lines View | Apply Success Track | Manage Groups | Remove Selected Lines | More Actions

Zero List Price Items | Hide Show | Search Estimate Line Items

Hardware, Software and Services	Estimated Lead Time (Days)	Unit List Price (USD)	Qty	Unit Net Price (USD)	Discounts (%)	Extended Net Price (USD)
1.0 UCSX-R2L-M8-OFFER Valid as of 08-Aug-2024 02:04:29 PDT UCSX Refuse to Lose M8 Offer	35	31,305.63	1	31,305.63	0.00	586,710.18

Edit Options | Validate | Recommended Content | Add Note | Add Subtotal | Copy | Remove Line

- a. Configuration of UCSX-M8-XCCELERATE is now Valid and Line No. 1.0 represents HW only Configuration.
- b. Intersight is a required selection, if you have not previously purchased Cisco Intersight Software and needs to added in Line 2.0 which will represent SW only Configuration.

Step 18.

Cisco Intersight

→

DC-MGT-SAAS

a → Add by SKU Description and Product Family [← Import Saved Configuration] [Lightbulb] [Mobile] [Share] Estimate Preferences ▾ [More]

Lines View [Menu] Apply Success Track Manage Groups Remove Selected Lines More Actions ▾ Zero List Price Items
Hide Show Search Estimate Line Items [Clear]

	Hardware, Software and Services	Estimated Lead Time (Days)	Unit List Price (USD)	Qty	Unit Net Price (USD)	Discounts (%)	Extended Net Price (USD)
<input type="checkbox"/>	1.0 UCSX-R2L-M8-OFFER Valid as of 08-Aug-2024 02:04:29 PDT UCSX Refuse to Lose M8 Offer	35	31,305.63	1	31,305.63	0.00	586,710.18
Edit Options Validate Recommended Content Add Note Add Subtotal Copy Remove Line							
<input type="checkbox"/>	2.0 DC-MGT-SAAS Valid as of 08-Aug-2024 02:07:37 PDT Cisco Intersight SaaS	3	0.00	1	0.00	0.00	0.00
b → Edit Options Validate Recommended Content Add Note Add Subtotal Copy Remove Line Additional Details [Chevron]							

- a. In CCW, search for DC-MGT-SAAS and click on “ADD”.
- b. Intersight is a required selection, if you have not previously purchased Cisco Intersight Software. Click on Select Options to enter the configurator.

Step 19.

Cisco Intersight

Cisco Intersight SaaS
DC-MGT-SAAS NEW

DC-MGT-SAAS

Current Terms and Billings

Requested Start Date 11-Aug-2024	Automatically Renews For ⓘ 12 Months on 11-Aug-2027
Requested For 36 Months From 11-Aug-2024 To 10-Aug-2027	Billing Frequency Prepaid Term

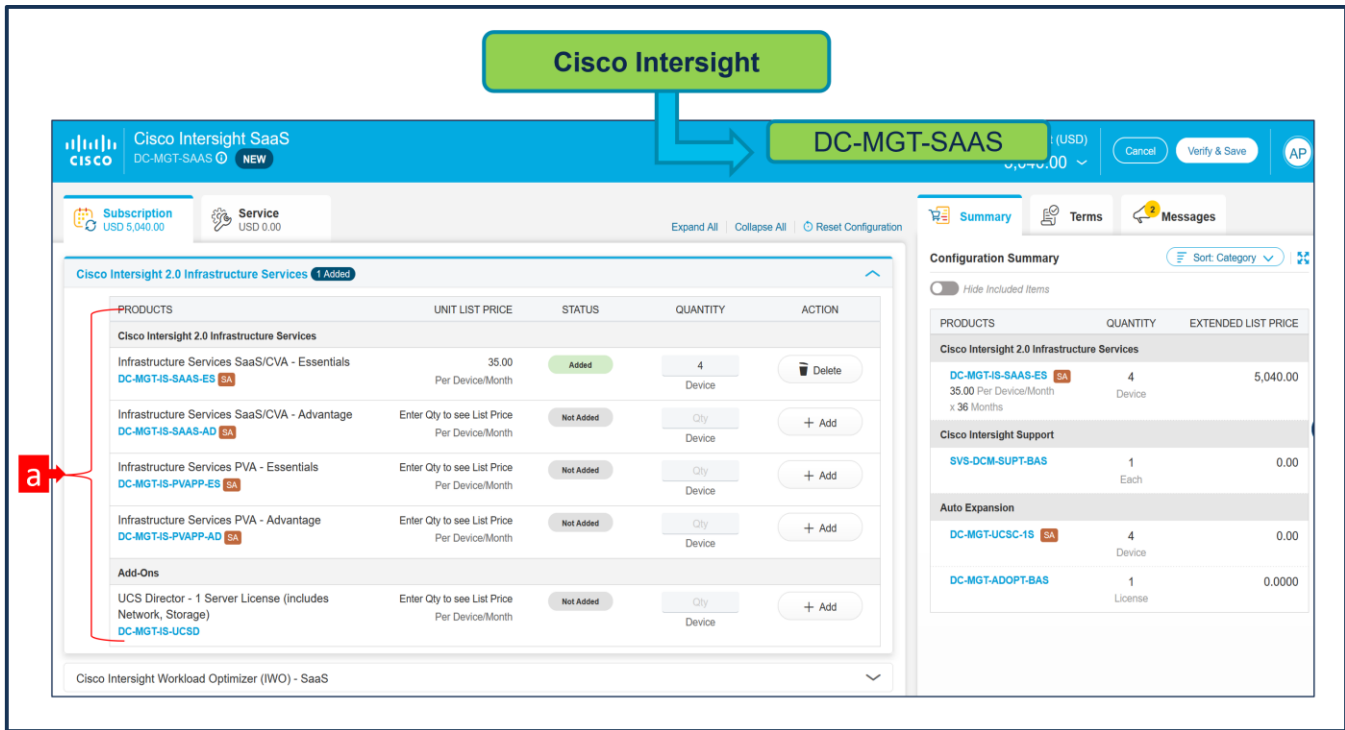
New Terms and Billing

Requested For > 36 Months from 11-Aug-2024 to 10-Aug-2027

<p>a → Requested Start Date 11 Aug 2024 <input type="text"/></p> <p><small>Enter a date between 08-Aug-2024 & 05-Nov-2024.</small></p>	<p>b → Auto Renewal <input checked="" type="checkbox"/> On</p> <p>Automatically Renews For ⓘ 12 Months on 11-Aug-2027 <small>Enter any whole month value from 0-12</small></p>
	<p>b → Billing Frequency ⓘ Prepaid Term</p> <p>End Date</p> <p>b → <input checked="" type="radio"/> Effective For 36 Months <small>Enter whole month count from 1 to 96</small></p> <p><input type="radio"/> Co-Term to an End Date ⓘ</p>

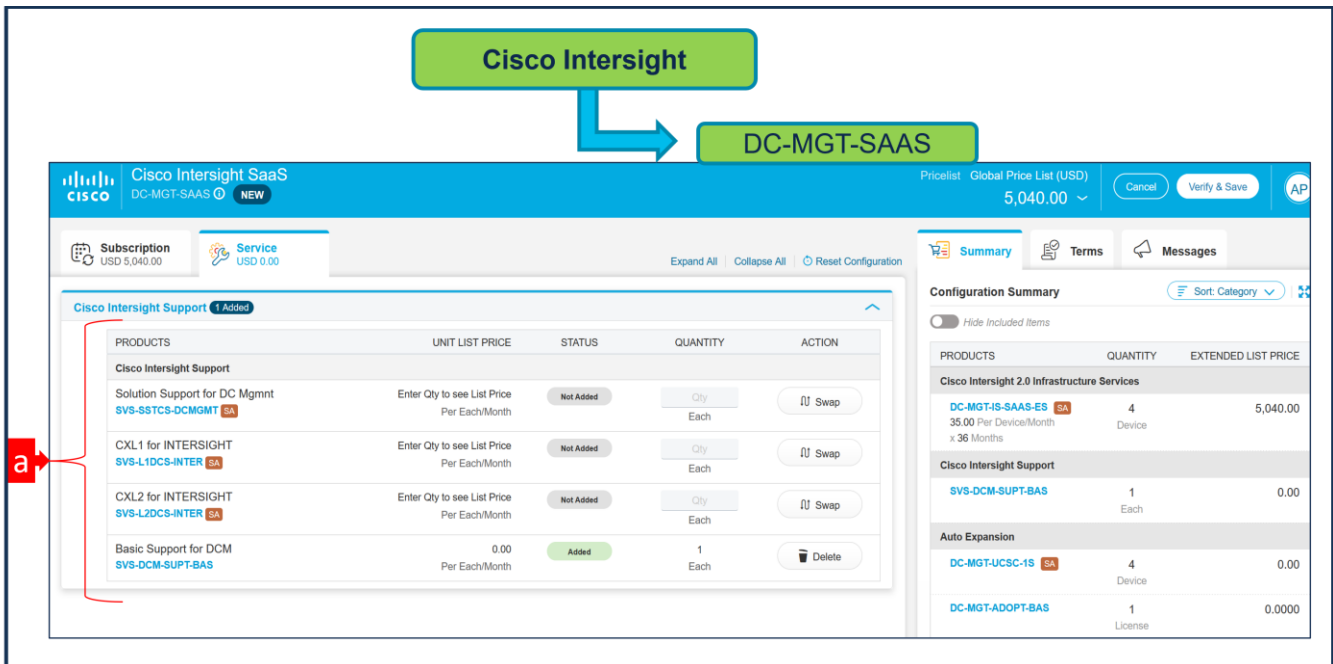
- a. **Requested Start Date (RSD)** It is recommended that when you book your SaaS Product, you select a Request Start Date (RSD) 90 days into the future.
- b. **End Date** (duration in months) is defaulted to **36 Months**, **Auto Renewal** (on/off) is defaulted to **On** and **Billing Frequency** is defaulted to **Prepaid Term**. You can still change the setting accordingly.

Step 20.



- a. The quantity of Cisco Intersight 2.0 Infrastructure Services License under Offer: DC-MGT-SAAS should be equal to the quantity of Server selected. Enter the quantity.

Step 21.



- a. The Cisco Intersight License comes with separate Support. Basic Embedded Support is the default selection. It is recommended that Customer should upgrade to Solution Support or CX Success Track L1 or L2 for the HW.

Step 22.

Item ID	Description	Valid as of	Estimated Lead Time (Days)	Unit List Price (USD)	Qty	Unit Net Price (USD)	Discounts (%)	Extended Net Price (USD)
1.0	UCSX-R2L-M8-OFFER UCSX Refuse to Lose M8 Offer	Valid as of 08-Aug-2024 02:04:29 PDT	35	31,305.63	1	31,305.63	0.00	586,710.18
2.0	DC-MGT-SAAS Cisco Intersight SaaS	Valid as of 08-Aug-2024 02:13:49 PDT	3	140.00	1	140.00	0.00	5,040.00

- Configuration for UCSX-M8-XCELERATE and DC-MGT-SAAS is now completed, and status of each Product is Valid.
- Click on the “PLUS” to expand and view the selections made for each Product

Scenario 2: Customer With Enterprise Agreement for Cisco Intersight Software License

Step 1.

CCW → UCSX-R2L-M8-OFFER

Item ID	Description	Validity	Estimated Lead Time (Days)	Unit List Price (USD)	Qty	Unit Net Price (USD)	Discounts (%)	Extended Net Price (USD)
1.0	UCSX-R2L-M8-OFFER UCSX Refuse to Lose M8 Offer	Invalid as of 08-Aug-2024 12:19:41 PDT	Not Applicable	0.00	1	0.00	0.00	0.00

- In CCW, search for MLB PID and click on “Add”
- Click on “Select Options” to enter the configurator.

Step 2.

UCSX Modular Server

UCSX-215C-M8-U

CPU

Memory

Drives

Bundle Configuration: UCSX-R2L-M8-OFFER
 Estimated Lead Time: 182 days
 Global Price List (USD): 29,843.50

Set service preferences for this configuration

1: CISCO INTERSIGHT requires a minimum of 1 component(s). Please add additional quantities as necessary. (CE100010)
 2: The category CISCO INTERSIGHT is required. (CE100103)
 3: Please note that this order will be placed on a Compliance Hold. Please reach out to sac-support@cisco.com to check if this order meets eligibility criteria for hold removal. Note that the order will remain on compliance hold if you do not reach out to sac-support@cisco.com to request eligibility check. (CE202322)
 4: Please note that each UCSX 9508 Chassis can consume maximum 8 Servers. If You have more number of Servers selected than number of Chassis currently you have can consume, consider selecting Additional Spare Chassis: UCSX-9508-D- (CE202322)

Available Components	Unit List Price (USD)
UCSX MODULAR SERVER	
UCSX-215C-M8-U UCS X215c M8 Compute Node 2S 3 required Estimated Lead Time: 182 days	8,542.50
UCSX-215C-M8-FRE UCS X215c M8 R2L Free Compute Node 2S 1 required Estimated Lead Time: --	0.00
UCS 9500 CHASSIS	
FABRIC INTERCONNECT	
CISCO INTERSIGHT	

UCSX MODULAR SERVER	Product	Unit List Price (USD)	Adjusted List Price (USD)	QTY	Extended List Price (USD)
Invalid	UCSX-215C-M8-U UCS X215c M8 Compute Node 2S	9,621.50	9,621.50	3	28,864.50
	UCSX-215C-M8-FRE UCS X215c M8 R2L Free Compute Node 2S	1,079.00	1,079.00	1	1,079.00

- Paid Node: UCSX-215C-M8-U is preselected with QTY 3 and can be selected in QTY of 3,6,9,12,15,18,21,24,27,30.....300.
- Notice the UCSX-215C-M8-U ATO Status is invalid as further configuration needed.
- Select 'Edit Options' to enter the configurator.

Step 3.

UCSX Modular Server

↓

UCSX-215C-M8-U

↓

CPU
Memory
Drives

Product Configuration: UCSX-215C-M8-U part of UCSX-R... OFFER
Estimated Lead Time: 182 days
Price List: Global
Total (USD): 8,542.50

Configuration Summary

Category	Qty	Extended List Price (USD)
Processor		
Memory		
Front MEZZ - Controller		
Rear MEZZ - MLOM/PCI		
Storage Drives		
SATA M.2		
NVMe Boot		
Security Options		
XSeries ComputeNode SW		
Total		8,542.50
Estimated Lead Time		182 days

Processor Options

SKU	Qty	Estimated Lead Time	Unit List Price (USD)
UCSX-CPU-A9654 AMD 9654 2.4GHz 360W 96C/384MB Cache DDR5 4800MT/s	Qty	182 days	22,661.77
UCSX-CPU-A9124 AMD 9124 3.0GHz 200W 16C/64MB Cache DDR5 4800MT/s	Qty	45 days	3,543.27
UCSX-CPU-A9224 AMD 9224 2.5GHz 200W 24C/64MB Cache DDR5 4800MT/s	Qty	45 days	5,320.59
UCSX-CPU-A9254 AMD 9254 2.9GHz 200W 24C/128MB Cache DDR5 4800MT/s	Qty	182 days	6,552.21
UCSX-CPU-A9334 AMD 9334 2.7GHz 210W 32C/128MB Cache DDR5 4800MT/s	Qty	182 days	8,390.16

- a. Configure UCSX-215C-M8-U by selecting peripherals from category window on the left.
- b. PIDs are listed in the window on the right. Some PIDs like Memory and Drives are grouped according to type or series; select from the grouped options located above SKU window on the right.
- c. Follow warning messages to configure the minimum required option PIDs.
- d. Select Done when completed.

Step 4.

UCSX Modular Server

UCSX-215C-M8-U → **CPU**, **Memory**, **Drives**

Bundle Configuration: UCSX-R2L-M8-OFFER | Estimated Lead Time: 182 days | Price List: Global Price List (USD)

Set service preferences for this configuration Cancel Done

Warnings:

- 1: CISCO INTERSIGHT requires a minimum of 1 component(s). Please add additional quantities as necessary. (CE100010)
- 2: The category CISCO INTERSIGHT is required. (CE100103)
- 3: Please note that this order will be placed on a Compliance Hold. Please reach out to sac-support@cisco.com to check if this order meets eligibility criteria for hold removal. Note that the order will remain on compliance hold if you do not reach out to sac-support@cisco.com to request eligibility check. (CE202322)
- 4: Please note that each UCSX 9508 Chassis can consume maximum 8 Servers. If you have more number of Servers selected than number of Chassis currently you have can consume, consider selecting Additional Spare Chassis: UCSX-9508-D-. (CE202322)

Available Components	Unit List Price (USD)	UCSX MODULAR SERVER > 4 Selected (Min 4, Max 400)	Unit List Price (USD)	Adjusted List Price (USD)	Quantity	Extended List Price (USD)
UCSX-215C-M8-U UCS X215c M8 Compute Node 2S 3 required Estimated Lead Time: 182 days	8,542.50	UCSX-215C-M8-U Valid	19,534.46	3	265,328.79	
UCSX-215C-M8-FRE UCS X215c M8 R2L Free Compute Node 2S 1 required	0.00	UCSX-215C-M8-FRE Invalid	1,079.00	1	1,079.00	

UCS 9500 CHASSIS > 0 Selected (Min 0, Max 99)
FABRIC INTERCONNECT > 0 Selected (Min 0, Max 99999)
CISCO INTERSIGHT > 0 Selected (Min 1, Max 1)

- Note Status is now showing as Valid.
- Increase the quantity for multiples of same configuration.
- Click the “PLUS” to add and configure the same product with different option/quantities or select a different product.

Step 5.

UCSX Modular Server

UCSX-215C-M8-U → **Services/Subscriptions**

Bundle Configuration: UCSX-R2L-M8-OFFER
 Estimated Lead Time: 182 days
 Price List: Global Price List (USD)
 Total: 266,407.79

Set service preferences for this configuration

1: CISCO INTERSIGHT requires a minimum of 1 component(s). Please add additional quantities as necessary. (CE100010)
 2: The category CISCO INTERSIGHT is required. (CE100103)
 3: Please note that this order will be placed on a Compliance Hold. Please reach out to sac-support@cisco.com to check if this order meets eligibility criteria for hold removal. Note that the order will remain on compliance hold if you do not reach out to sac-support@cisco.com to request eligibility check. (CE202322)
 4: Please note that each UCSX 9508 Chassis can consume maximum 8 Servers. If you have more number of Servers selected than number of Chassis currently you have can consume, consider selecting Additional Spare Chassis: UCSX-9508-D-. (CE202322)

Available Components	Unit List Price (USD)
UCSX MODULAR SERVER	
UCSX-215C-M8-U UCS X215c M8 Compute Node 2S 3 required Estimated Lead Time: 182 days	8,542.50
UCSX-215C-M8-FRE UCS X215c M8 R2L Free Compute Node 2S 1 required Estimated Lead Time: --	0.00
UCS 9500 CHASSIS	
FABRIC INTERCONNECT	
CISCO INTERSIGHT	

Product	Unit List Price (USD)	Adjusted List Price (USD)	Qty	Extended List Price (USD)
UCSX-215C-M8-U Valid UCS X215c M8 Compute Node 2S Add Custom Name Edit Options Edit Services/Subscriptions Remove Line		19,534.46	3	265,328.79
UCSX-215C-M8-FRE Invalid UCS X215c M8 R2L Free Compute Node 2S Add Custom Name Edit Options Edit Services/Subscriptions Remove Line		1,079.00	1	1,079.00

UCSX MODULAR SERVER > 4 Selected (Min 4, Max 400)

UCS 9500 CHASSIS > 0 Selected (Min 0, Max 99)

FABRIC INTERCONNECT > 0 Selected (Min 0, Max 99999)

CISCO INTERSIGHT > 0 Selected (Min 1, Max 1)

Check Path Translation

a. Click on “Edit Services/Subscriptions” to edit Term Duration for HW Support.

Note: It is recommended that Term Duration for HW Support must align with Software Subscription Duration.

Step 6.

UCSX Modular Server

Service Subscription: UCSX-215C-M8-U Price List: UCSX-215C-M8-U Service Price: 3,237.00

Services/Subscriptions

Service Options

Choose Service Level from: All Service Programs

Time Duration: Duration (selected) Delay service start to Co-Term service to

Duration: **a**

b

Service SKU	Product SKU	Unit List Price (USD)	Qty	Total List Price (USD)
Cisco Customer Experience Level 1 (1 ITEM)	L1NCO (CX LEVEL 1 8X7XNCDOS)			
CON-L1NCO-UCSX2CMU	UCSX-215C-M8-U	3,237.00	1	3,237.00

b

- a. Enter the Term Duration
- b. Click on “Apply” and “Done”

Step 7.

The screenshot shows the Cisco UCS configuration interface. At the top, a green box labeled "UCSX Modular Server" has an arrow pointing to a table of selected components. Above the table, a dark blue box contains "UCSX-215C-M8-FRE". To the right, three green boxes are stacked vertically, labeled "CPU", "Memory", and "Drives".

The table below shows the configuration details:

Product	Unit List Price (USD)	Adjusted List Price (USD)	Qty	Extended List Price (USD)
UCSX-215C-M8-U Valid UCS X215c M8 Compute Node 2S	8,542.50	21,692.46	3	271,802.79
UCSX-215C-M8-FRE Invalid UCS X215c M8 R2L Free Compute Node 2S	0.00	1,079.00	1	1,079.00

Annotations: 'a' points to the quantity field for UCSX-215C-M8-FRE (value 1). 'b' points to the 'Invalid' status icon for UCSX-215C-M8-FRE. 'c' points to the 'Edit Options' link for UCSX-215C-M8-FRE.

- Free Node: UCSX-215C-M8-FRE is preselected with QTY 1 and can be selected in QTY of **(QTY of Paid Node: UCSX-215C-M8-U / 3)**.
- Notice the UCSX-215C-M8-FRE ATO Status is invalid as further configuration needed.
- Click on 'Edit Option' to enter the configurator.

Note: Configuration of Paid Node and Free Node should be identical.

Step 8.

UCSX Modular Server

UCSX-215C-M8-FRE → **CPU**
Memory
Drives

Product Configuration: UCSX-215C-M8-FRE part of UCSX-P3L-M8-OFFER
Estimated Lead Time: 21 days
Price List: Global Price List in US Dollars

Configuration Summary

Category	Qty	Extended List Price (USD)
Processor		
Memory		
Front MEZZ - Controller		
Rear MEZZ - MLOM/PCI		
Storage Drives		
SATA M.2		
NVMe Boot		
Security Options		
XSeries ComputeNode SW		
Total		0.00
Estimated Lead Time		21 days

Processor Options

SKU	Qty	Estimated Lead Time	Unit List Price (USD)
UCSX-CPU-A9654	Qty	182 days	0.00
UCSX-CPU-A9124	Qty	45 days	0.00
UCSX-CPU-A9224	Qty	45 days	0.00
UCSX-CPU-A9254	Qty	182 days	0.00
UCSX-CPU-A9334	Qty	182 days	0.00

Warnings:

- A selection from Infrastructure and Workload is required. Please adjust the selections. (CE200277)
- A selection of either UCSX-ML-V5Q50G-D or UCSX-MLV5D200GV2D from Rear MEZZ - MLOM/PCI is required. Please adjust the selections. (CE200096)
- UCSX-215C-M8-FRE quantity 1 requires a minimum quantity of 1 from Processor (CE100012)
- UCSX-215C-M8-FRE quantity 1 requires a minimum quantity of 1 from Security Options (CE100012)

Buttons: Cancel, Done

- Configure UCSX-215C-M8-FRE by selecting peripherals from category window on the left.
- PIDs are listed in the window on the right. Some PIDs like Memory and storage drives are grouped according to type or series; select from the grouped options located above SKU window on the right.
- Follow warning messages to configure the minimum required option PIDs.
- Click on “Done” when completed.

Step 9.

UCSX Modular Server

UCSX-215C-M8-FRE

CPU
Memory
Drives

Bundle Configuration: UCSX-R2L-M8-OFFER
Estimated Lead Time: 182 days
Price List: Global Price List (USD)

Set service preferences for this configuration

Available Components

Component	Unit List Price (USD)
UCSX-215C-M8-U UCS X215c M8 Compute Node 2S 3 required Estimated Lead Time: 182 days	8,542.50
UCSX-215C-M8-FRE UCS X215c M8 R2L Free Compute Node 2S 1 required Estimated Lead Time: --	0.00

UCSX MODULAR SERVER > 4 Selected (Min 4, Max 400)

Product	Unit List Price (USD)	Adjusted List Price (USD)	Qty	Extended List Price (USD)
UCSX-215C-M8-U Valid UCS X215c M8 Compute Node 2S Add Custom Name Edit Options Edit Services/Subscriptions Remove Line		21,692.46	3	271,802.79
UCSX-215C-M8-FRE Valid UCS X215c M8 R2L Free Compute Node 2S Add Custom Name Edit Options Edit Services/Subscriptions Remove Line		1,079.00	1	1,079.00

UCS 9500 CHASSIS > 0 Selected (Min 0, Max 99)
FABRIC INTERCONNECT > 0 Selected (Min 0, Max 99999)
CISCO INTERSIGHT > 0 Selected (Min 1, Max 1)

- Note Status is now showing as “Valid”.
- Increase the quantity for multiples of same configuration.
- Click the “PLUS” to add and configure the same product with different option/quantities or select a different product.

Step 10.

UCSX Modular Server

↓

UCSX-215C-M8-FRE → **Services/Subscriptions**

Bundle Configuration: UCSX-R2L-M8-OFFER | Estimated Lead Time: 182 days | Price List: Global Price List (USD) | 272,861.79

Set service preferences for this configuration Cancel Done

1: CISCO INTERSIGHT requires a minimum of 1 component(s). Please add additional quantities as necessary. (CE100010)
2: The category CISCO INTERSIGHT is required. (CE100103)
3: Please note that this order will be placed on a Compliance Hold. Please reach out to sac-support@cisco.com to check if this order meets eligibility criteria for hold removal. Note that the order will remain on compliance hold if you do not reach out to sac-support@cisco.com to request eligibility check. (CE202322)
4: Please note that each UCSX 9508 Chassis can consume maximum 8 Servers. If you have more number of Servers selected than number of Chassis currently you have can consume, consider selecting Additional Spare Chassis. UCSX-9508-D-. (CE202322)

Available Components	Unit List Price (USD)
UCSX MODULAR SERVER	
UCSX-215C-M8-U UCS X215c M8 Compute Node 2S 3 required Estimated Lead Time: 182 days	8,542.50
UCSX-215C-M8-FRE UCS X215c M8 R2L Free Compute Node 2S 1 required Estimated Lead Time: --	0.00
UCS 9500 CHASSIS	
FABRIC INTERCONNECT	
CISCO INTERSIGHT	

UCSX MODULAR SERVER > 4 Selected (Min 4, Max 400)	Unit List Price (USD)	Adjusted List Price (USD)	Qty	Extended List Price (USD)
UCSX-215C-M8-U Valid UCS X215c M8 Compute Node 2S Add Custom Name Edit Options Edit Services/Subscriptions Remove Line		21,692.46	3	271,802.79
UCSX-215C-M8-FRE Valid a UCS X215c M8 R2L Free Compute Node 2S Add Custom Name Edit Options Edit Services/Subscriptions Remove Line		1,079.00	1	1,079.00

UCS 9500 CHASSIS > 0 Selected (Min 0, Max 99)
Add a UCS 9500 CHASSIS from the left panel

FABRIC INTERCONNECT > 0 Selected (Min 0, Max 99999)
Add a FABRIC INTERCONNECT from the left panel

CISCO INTERSIGHT > 0 Selected (Min 1, Max 1)
Add a CISCO INTERSIGHT from the left panel

[Check Path Translation](#)

a. Click on “Edit Services/Subscriptions” to edit Term Duration for HW Support.

Note: It is recommended that Term Duration for HW Support must align with Software Subscription Duration.

Step 11.

UCSX Modular Server

Service Subscription UCSX-215C-M8-FRE Price **UCSX-215C-M8-FRE** (USD) **Services/Subscriptions**
 Global Price List in USD Dollars (USD) 3,237.00

1 You may receive additional discounts because you selected two or more years of service. To review your discounts you can go to the Order or Quoting discount pages. (C0124)

Service Non Serviceable Products

2 The duration that you entered has been successfully applied to all the services. (C0329)

Service Options

Choose Service Level from All Service Programs

Search by Name & Description

Note: Cisco may still install another compatible service if required. Compatible services are the services that come with primary service and are based on products.

and/or

Time Duration

Duration

Delay service start to

Co-Term service to

Duration **a**

36

b

Reset Apply

Service SKU	Product SKU	Unit List Price (USD)	Qty	Total List Price (USD)
Cisco Customer Experience Level 1 (1 ITEM) SERVICE PROGRAM CON-L1NCO-UCSX2FRE CX LEVEL 1 8X7XNCDOS UCS X215c M8 R2L Free C... SERVICE SKU Change Service Remove Service	L1NCO (CX LEVEL 1 8X7XNCDOS) SUMMARY UCSX-215C-M8-FRE UCS X215c M8 R2L Free Compute Node 2S PRODUCT SKU	3,237.00	1	3,237.00

Remove All Services Remove All Additional Services

Configuration Summary All prices shown in USD

Services **b**

Cancel Done

- a. Enter the Term Duration.
- b. Click on “Apply” and “Done”

Step 12.

UCS 9500 Chassis

UCSX-9508-D=

IFM

Power Supply

Power Cable

Bundle Configuration: UCSX-R2L-M8-OFFER
Estimated Lead Time: 182 days

Set service preferences for this configuration

1: CISCO INTERSIGHT requires a minimum of 1 component(s). Please add additional quantities as necessary. (CE100010)
 2: The category CISCO INTERSIGHT is required. (CE100103)
 3: Please note that this order will be placed on a Compliance Hold. Please reach out to sac-support@cisco.com to check if this order meets eligibility criteria for hold removal. Note that the order will remain on compliance hold if you do not reach out to sac-support@cisco.com to request eligibility check. (CE202322)
 4: Please note that each UCSX 9508 Chassis can consume maximum 8 Servers. If You have more number of Servers selected than number of Chassis currently you have can consume, consider selecting Additional Spare Chassis: UCSX-9508-D=. (CE202322)

Available Components	Unit List Price (USD)	UCSX MODULAR SERVER > 4 Selected (Min 4, Max 400)	Unit List Price (USD)	Adjusted List Price (USD)	Qty	Extended List Price (USD)
UCSX MODULAR SERVER		UCSX-215C-M8-U Valid		21,692.46	3	271,802.79
UCS 9500 CHASSIS		UCS X215c M8 Compute Node 2S				
UCSX-9508-D= UCS 9508 Chassis	8,530.96	UCSX-215C-M8-FRE Valid	3,237.00		1	3,237.00
		UCS X215c M8 R2L Free Compute Node 2S				
		Add a UCSX MODULAR SERVER from the left panel				
		UCS 9500 CHASSIS > 0 Selected (Min 0, Max 99)				
		Add a UCS 9500 CHASSIS from the left panel				
		FABRIC INTERCONNECT > 0 Selected (Min 0, Max 99999)				
		Add a FABRIC INTERCONNECT from the left panel				
		CISCO INTERSIGHT > 0 Selected (Min 1, Max 1)				
		Add a CISCO INTERSIGHT from the left panel				

- a. Please note that each UCSX 9508 Chassis can consume maximum 8 Servers. If You have more number of Servers selected than number of Chassis currently you have can consume, consider selecting Additional Spare Chassis: UCSX-9508-D=

Step 13.

Fabric Interconnect

UCSX-FI-6536-D-U
UCSX-FI-64108-D-U
UCSX-FI-6454-D-U

Software Image
Software License
Power Supply

Bundle Configuration: UCSX-R2L-M8-OFFER
Estimated Lead Time: 182 days
Price List: Global Price List (USD) 275,039.79

Set service preferences for this configuration

1: CISCO INTERSIGHT requires a minimum of 1 component(s). Please add additional quantities as necessary. (CE100010)
2: The category CISCO INTERSIGHT is required. (CE100103)
3: Please note that this order will be placed on a Compliance Hold. Please reach out to sac-support@cisco.com to check if this order meets eligibility criteria for hold removal. Note that the order will remain on compliance hold if you do not reach out to sac-support@cisco.com to request eligibility check. (CE202322)
4: Please note that each UCSX 9508 Chassis can consume maximum 8 Servers. If you have more number of Servers selected than number of Chassis currently you have can consume, consider selecting Additional Spare Chassis: UCSX-9508-D= (CE202322)

Available Components	Unit List Price (USD)
UCSX MODULAR SERVER	
UCS 9500 CHASSIS	
FABRIC INTERCONNECT	
UCSX-FI-6536-D-U Fabric Interconnect 6536 for IMM Estimated Lead Time: 21 days	22,110.00
UCSX-FI-64108-D-U UCS Fabric Interconnect 64108 Estimated Lead Time: 21 days	41,938.65
UCSX-FI-6454-D-U UCS Fabric Interconnect 6454 Estimated Lead Time: 21 days	29,034.45
CISCO INTERSIGHT	

Product	Unit List Price (USD)	Adjusted List Price (USD)	Qty	Extended List Price (USD)
UCSX-215C-M8-U UCS X215c M8 Compute Node 2S		21,692.46	3	271,802.79
UCSX-215C-M8-FRE UCS X215c M8 R2L Free Compute Node 2S		3,237.00	1	3,237.00

- Fabric Interconnect (FI) is an optional selection under this MLB
- You can select the required FI accordingly.

Step 14.

Bundle Configuration
UCSX-R2L-M8-OFFER

Estimated Lead Time
182 days

Price List
Global Price List (USD)
275,039.79

Set service preferences for this configuration

1: Please note that this order will be placed on a Compliance Hold. Please reach out to sac-support@cisco.com to check if this order meets eligibility criteria for hold removal. Note that the order will remain on compliance hold if you do not reach out to sac-support@cisco.com to request eligibility check. (CE202322)

2: Please note that each UCSX 9508 Chassis can consume maximum 8 Servers. If you have more number of Servers selected than number of Chassis currently you have can consume, consider selecting Additional Spare Chassis: UCSX-9508-D=, (CE202322)

3: Please note that Intersight is required selection and needed for the M7 Server to function. All orders with CNDL-DESELECT-D will be manually reviewed for Compliance. (CE202322)

CNDL-DESELECT-D has been added to the bundle category CISCO INTERSIGHT.

Available Components	Unit List Price (USD)
UCSX MODULAR SERVER	
UCS 9500 CHASSIS	
FABRIC INTERCONNECT	
CISCO INTERSIGHT	
DC-MGT-SAAS Cisco Intersight SaaS	0.00
CNDL-DESELECT-D Conditional Deselect Estimated Lead Time: 7 days	0.00

Product	Unit List Price (USD)	Adjusted List Price (USD)	Qty	Extended List Price (USD)
UCSX-215C-M8-U Valid		21,692.46	3	271,802.79
UCS X215c M8 Compute Node 2S				
Add Custom Name Edit Options Edit Services/Subscriptions Remove Line				
UCSX-215C-M8-FRE Valid		3,237.00	1	3,237.00
UCS X215c M8 R2L Free Compute Node 2S				
Add Custom Name Edit Options Edit Services/Subscriptions Remove Line				
Add a UCSX MODULAR SERVER from the left panel				
UCS 9500 CHASSIS > 0 Selected (Min 0, Max 99)				
Add a UCS 9500 CHASSIS from the left panel				
FABRIC INTERCONNECT > 0 Selected (Min 0, Max 99999)				
Add a FABRIC INTERCONNECT from the left panel				
CISCO INTERSIGHT > 1 Selected (Min 1, Max 1)				
Product	Unit List Price (USD)	Adjusted List Price (USD)	Qty	Extended List Price (USD)
CNDL-DESELECT-D Invalid		0.00	1	0.00
Conditional Deselect				
Add Custom Name Select Options Remove Line				

- a. CNDL-DESELECT-D is meant to select only if Customer has already purchased Cisco Intersight License via EA Contract or order is for Disti Fulfillment.

Note: Please note that Intersight is required selection and needed for the M8 Server to function. All orders with CNDL-DESELECT-D will be manually reviewed for Compliance.

Step 15.

Cisco Intersight

CNDL-DESELECT-D

Product Configuration: CNDL-DESELECT-D part of UCSX-R2L-M8-OFFER
 Estimated Lead Time: 7 days
 Price List: Global Price List in US Dollars (USD)
 Total (USD): 0.00

Configuration Summary [View Full Summary](#)

Category	Qty	Extended List Price (USD)
Reason Codes		
OPTOUT-DISTI-ONLY	1	0.00

Total: 0.00
 Estimated Lead Time: 7 days

[Reset Configuration](#) [Cancel](#) [Done](#)

Reason Codes

SKU	Qty	Estimated Lead Time	Unit List Price (USD)
<input checked="" type="radio"/> OPTOUT-DISTI-ONLY For Distl when ordering mandatory licenses separately	1	3 days	0.00
<input type="radio"/> OPTOUT-EA-ONLY License not needed: Customer already owns Licenses in an EA	1	3 days	0.00
<input type="radio"/> OPTOUT-ENTL-SWAP License not needed: Entitlements updated in Smart Account. More	1	3 days	0.00

[Clear Selection](#) | [Show Incompatible SKUs](#)

a. Please select appropriate Reason Code

Step 16.

Bundle Configuration: UCSX-R2L-M8-OFFER
 Estimated Lead Time: 182 days
 Price List: Global Price List (USD)
 Total: 275,039.79

[Cancel](#) [Done](#)

Set service preferences for this configuration

Available Components **Unit List Price (USD)**

- UCSX MODULAR SERVER**
 - UCSX-215C-M8-U 8,542.50
UCS X215c M8 Compute Node 2S 3 required
Estimated Lead Time: 182 days
 - UCSX-215C-M8-FRE 0.00
UCS X215c M8 R2L Free Compute Node 2S 1 required
Estimated Lead Time: --
- UCS 9500 CHASSIS
- FABRIC INTERCONNECT
- CISCO INTERSIGHT

UCSX MODULAR SERVER > 4 Selected (Min 4, Max 400)

Product	Unit List Price (USD)	Adjusted List Price (USD)	Qty	Extended List Price (USD)
<input checked="" type="checkbox"/> UCSX-215C-M8-U Valid UCS X215c M8 Compute Node 2S Add Custom Name Edit Options Edit Services/Subscriptions Remove Line	21,692.46	21,692.46	3	271,802.79
<input checked="" type="checkbox"/> UCSX-215C-M8-FRE Valid UCS X215c M8 R2L Free Compute Node 2S Add Custom Name Edit Options Edit Services/Subscriptions Remove Line	3,237.00	3,237.00	1	3,237.00

UCS 9500 CHASSIS > 0 Selected (Min 0, Max 99)

FABRIC INTERCONNECT > 0 Selected (Min 0, Max 99999)

CISCO INTERSIGHT > 1 Selected (Min 1, Max 1)

Product	Unit List Price (USD)	Adjusted List Price (USD)	Qty	Extended List Price (USD)
<input checked="" type="checkbox"/> CNDL-DESELECT-D Valid Conditional Deselect Add Custom Name Edit Options Remove Line	0.00	0.00	1	0.00

- a. Configuration for MLB is completed when status of each Product is Valid and warning messages are cleared.
- b. Click on the “PLUS” to expand and view the selections made for each Product.
- c. Click on the “DONE” to complete the MLB Configuration.