

Get to Know the Sx350 Series Fully Managed Switches



Introduction

The Cisco Sx350 Series Fully Managed Switches are standalone switches that provide Fast Ethernet (FE)/Gigabit Ethernet (GE) and Small Form-Factor Pluggable (SFP) 2 Combo + PoE ports on specific models. The switches come with new generation highly-integrated packet processor for Carrier Ethernet and Small-Medium Enterprise (SME) applications with full wire-speed performance.

The web-based utility allows you to deploy and manage your network efficiently. Setting up and troubleshooting can be done easily with easy-to-use tools such as Cisco Discovery Protocol (CDP), FindIT, and Cisco Smartports, which let your network automatically detect and configure all connected Cisco devices.

This article aims to show the features of the Sx350 Series Fully Managed Switches.

Product Features

- Link Flap Prevention
- Supports auto detect 100M or 1000M Small SFP modules and auto configure the correct speed.
- The speed of SFP ports can be manually configured
 - USB port that allows the following:
- Backing up of configuration files
- Loading of new image or configuration files
 - Quality of Service (QoS)
- Egress policy
- Egress Access Control List (ACL)
- 2 Rates 3 Colors (2R3C)
 - Port Monitor/Switched Port Analyzer (SPAN)
- 7-session SPAN
- Policy-based Flow Mirroring

- Switch Management
- Command Line Interface (CLI) Output modifier
- Bonjour IPv6 Support
 - Web-based utility
- Search
- Wizards: ACL
- Save icon
- Syslog Popup
- Show tech-support
 - Traffic Monitoring
- Counters History/Counters Graph
- sFlow v5
 - PHY-
- 88E1680 – Integrated Octal 10/100/1000 Mbps Energy Efficient Ethernet Transceiver
- 88E3680 – Integrated Octal 10/100 Mbps Energy Efficient Ethernet Transceiver
- 88E1543 – Combo port support
 - DRAM – 512 MB (DDR3)
 - Flash – 256 MB NAND Flash
 - Protocol Based Virtual Local Area Network (VLAN)
 - IP Subnet-Based VLAN
 - Logging aggregation disabled by default
 - PD port support
 - New PoE chipset allows devices to function as power client and request specific power consumption
- PoE controller embedded in Network ASIC (AC3) allows faster communication speed between the Network-ASIC and the PoE-chip
- Two Combo ports that consist of one RJ45 interface and one Mini-GBIC (SFP) interface
 - Rest of the ports are PSE: af/at.
 - Console/Terminal Port (RJ45) for device management and debug
- Asynchronous data of eight data bits
- One-stop bit
- No parity
- Default Baud rate is 115200 bps
 - USB 2.0 port support
- FAT32 for read/write
- NTFS for read-only

Power over Ethernet (PoE) Switches

- **SF350-48P 48-Port 10/100 Managed Switch**
- 48 FE + 4 GE (2 SFP + 2 Combo)
- AT/AF PoE/Power Sourcing Equipment (PSE) on 48 FE ports

- PoE Budget 375W

- **SF350-48MP 48-Port 10/100 Managed Switch**

- 48 FE + 4 GE (2 SFP + 2 Combo)

- AT/AF PoE on 48 FE ports

- PoE Budget 740W

- **SG350-28P – 28-Port GigabitPoE Managed Switch**

- 24 GE + 4 GE (2 SFP + 2 Combo)

- AT/AF PoE on 24 GE ports

- PoE Budget 185W

- **SG350-28MP– 28-Port Gigabit PoE Managed Switch**

- 24 GE + 4 GE (2 SFP + 2 Combo)

- AT/AF PoE on 24 GE ports

- PoE Budget 375W

- **SG350-10P – 10-Port Gigabit Managed Switch**

- 8 GE + 2 GE (2 Combo)

- AT/AF PoE (PSE) on 8 GE

- Budget 62W + 2 Powered-Device (PD) ports

- **SG350-10MP 10-Port Gigabit Managed Switch**

- 8 GE + 2 GE (2 Combo)

- AT/AF PoE (PSE) on 8 GE

- Budget 124W + 2 PD ports

- **SG355-10P 10-Port Gigabit Managed Switch**

- 8 GE + 2 GE (2 Combo)

- AT/AF PoE (PSE) on 8 GE

- Budget 62W + 2 PD ports

Non-PoE Switches

- **SG350-10 10-Port Gigabit Managed Switch**

- 8 GE + 2 GE (2 Combo)

- 1 PD port AT/AF

- **SG350-28 28-Port Gigabit Managed Switch**

- 24 GE + 4 GE (2 SFP + 2 Combo)

- SF350-48 48-Port Gigabit Managed Switch

- 48 FE + 4 GE (2 SFP + 2 Combo)

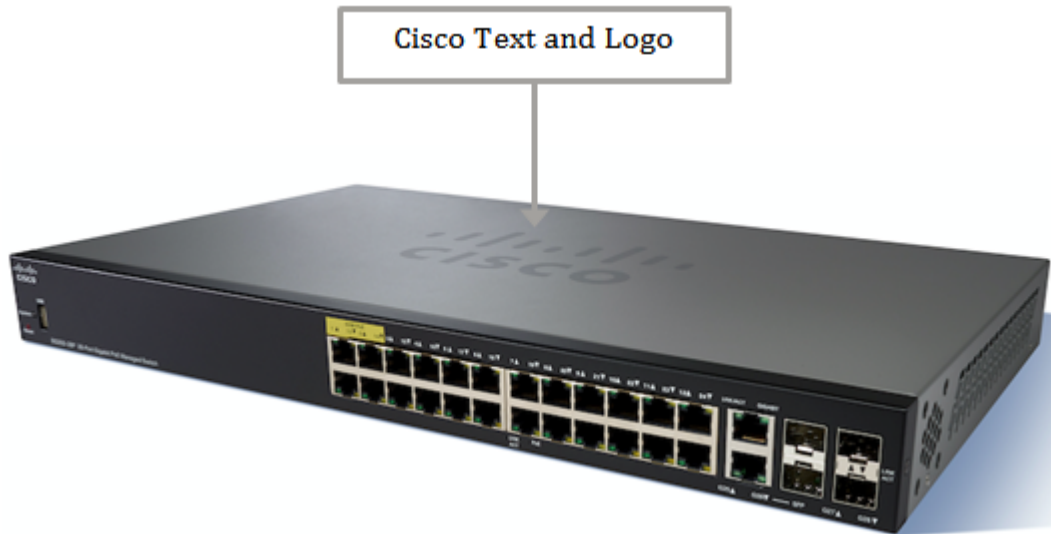
Note: To know more about the product and hardware specifications of the Sx350 Series Fully Managed Switches, click [here](#).

Product Views

Note: The actual appearance of the switches may vary depending on the exact model of your device. The images below are taken from the SG350-28P.

Top View

The Cisco text and logo can be seen at the top of the device.



Front View

At the front panel of the device, the System LED, Reset button, and all the ports can be seen. Specifically, these ports are the USB port, RJ45 ports with their LED indicators, and SFP ports. The number of ports and the availability of the LED indicators vary depending on the exact model of your switch.



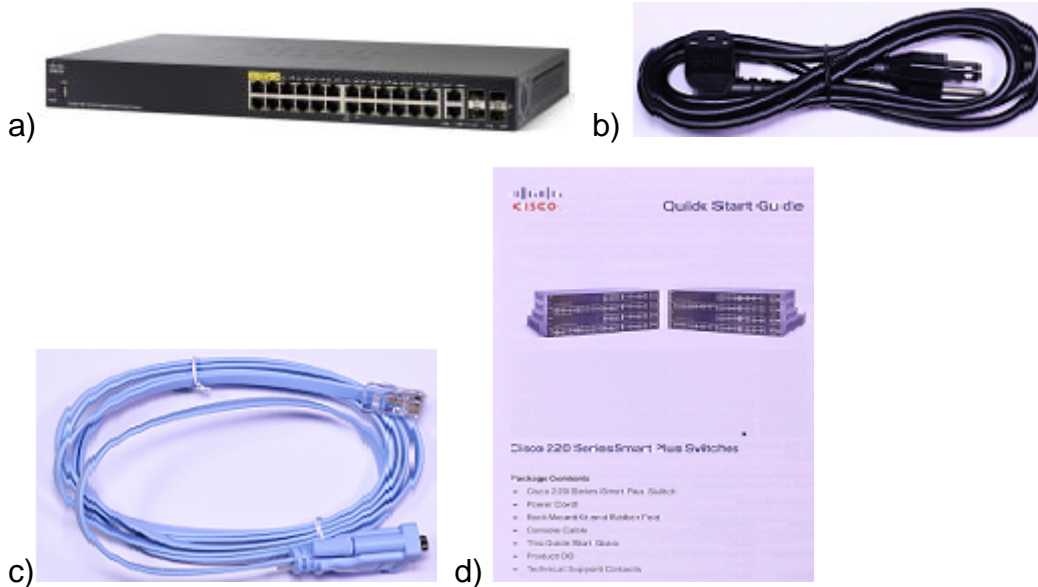
Back View

The Power and Console ports are located at the back of the device. The Console port connects the switch to the serial port of the computer using the supplied console cable.



Package Contents

Note: The actual appearance of the items below may vary depending on the exact model of your device.





- a) Sx350 Series Managed Switch
- b) Power Cord
- c) Console cable
- d) Quick Start Guide




Minimum Requirements

- A router that has PoE support, PoE injector, or AC power adapter
- Category 5 Ethernet network cable
- TCP/IP, network adapter, and operating system (such as Microsoft Windows, Linux, or Mac OS X) installed on each computer in the network
- Java-enabled web browser for the web-based configuration such as Mozilla Firefox 20 or later; Google Chrome 23 or later; Safari 5.1 or later

Technical Details

Reset button	Resets the device to default settings	N/A	N/A	N/A
USB	File management	N/A	N/A	N/A
System	Dual colors LED	System	<p>GREEN</p> <ul style="list-style-type: none"> • OFF – System OFF • Solid – System is ON and Ready • Blinking – 	

			<p>Booting/System Self-Test or acquiring IP address</p> <p>AMBER</p> <ul style="list-style-type: none"> • Blinking – detect hardware failed 	
Non-PoE Switches: 10/100M RJ45	Link/Act and Speed	Left LED LINK/ACT	<p>Green</p> <ul style="list-style-type: none"> • OFF – No link is detected • ON – Link is detected • Blinking – Rx/Tx Data 	
		Right LED Speed	<p>Green</p> <ul style="list-style-type: none"> • OFF – 10M link is detected or no link • Solid – 100M link is detected 	
Non-PoE Switches: 10/1000M RJ45	Link/Act and Speed	Left LED LINK/ACT	<p>GREEN</p> <ul style="list-style-type: none"> • OFF – No link is detected • ON – Link is detected • Blinking – Rx/Tx Data 	
		Right LED Speed	<p>GREEN</p> <ul style="list-style-type: none"> • OFF – 10M/100M Link is detected or no link • Solid – 1000M link is detected 	
PoE	Link/Act and	Left LED	GREEN	

RJ45 Ports	PoE	LINK/ACT	<ul style="list-style-type: none"> • OFF – No link is detected • ON – Link is detected • Blinking – Rx/Tx Data 	
		Right LED PoE	AMBER <ul style="list-style-type: none"> • OFF – No PD detected • Solid – 802.3 af/at PD is detected • Blinking – Negotiation 	
Combo Ports	Link/Act and Speed SFP ports share with RJ45	Left LED LINK/ACT	GREEN <ul style="list-style-type: none"> • OFF – No link is detected • ON – Link is detected • Blinking – Rx/Tx Data 	
		Right LED Speed	GREEN <ul style="list-style-type: none"> • OFF – 10M/100M link is detected or no link • Solid – 1000M link is detected 	
SFP ports	Dedicated Mini-GBIC Port	Left LED LINK/ACT	GREEN <ul style="list-style-type: none"> • OFF – No link is detected • ON – Link is detected • Blinking – Rx/Tx Data 	

		Right LED LINK/ACT	GREEN <ul style="list-style-type: none">• OFF – No link is detected• ON – Link is detected• Blinking – Rx/Tx Data	
--	--	--------------------------	---	--

Related Contents

[Configure ACL on an Sx350 Series Managed Switch using the Access Control List \(ACL\) Configuration Wizard](#)

[Configure Initial Settings on a Switch using the Getting Started Wizard](#)