



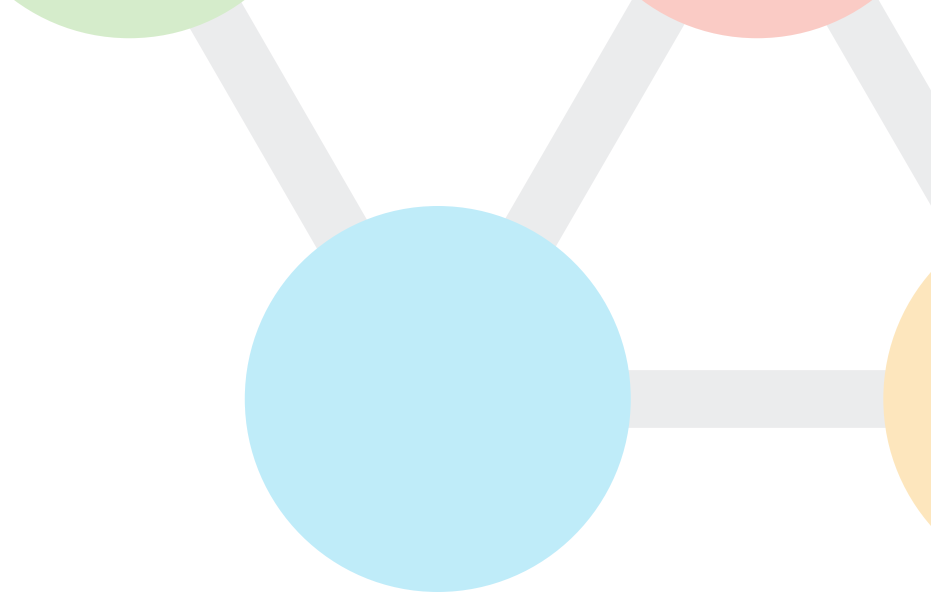
ARCHIVED DOCUMENT

This document is archived and should only be used as a historical reference and should not be used for new deployments for one of the following reasons:

- The topics in the document are now covered by more recent content.
- Information in the document is outdated. There are no plans to update the content.

For the latest guides, please refer to:

<https://cisco.com/go/cvd>



CISCO VALIDATED DESIGN

Intelligent WAN Deployment Guide

October 2016

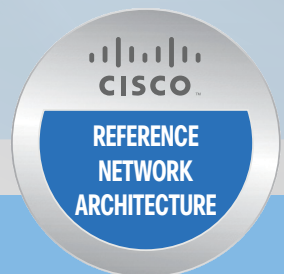


Table of Contents

Deploying the Cisco Intelligent WAN.....	1
Deployment Details	1
Configuring an IOS Certificate Authority.....	2
Configuring DMVPN Hub Router	5
Configuring the Firewall and DMZ Switch.....	28
Configuring Remote-Site DMVPN Router.....	39
Adding Second DMVPN for a Single-Router Remote Site.....	59
Adding LTE fallback DMVPN for a Single-Router Remote Site	70
Modifying the First Router for Dual Router Design.....	83
Configuring Second DMVPN Router at Remote Site	93
Deploying an IWAN Remote-Site Distribution Layer	117
Configuring Remote-Site Router for Distribution Layer.....	117
Configuring Second Router for Remote-Site Distribution Layer	127
Deploying IWAN Performance Routing.....	135
Configuring Hub Master Controller.....	138
Configuring PfR for Hub Location.....	143
Configuring PfR for Remote Site Locations	153
Configuring Hub Master Controller High Availability.....	163
Configuring Hub Border Router Scalability	172
Deploying a Second Data Center Location.....	185
Configuring Transit Border Routers	187
Configuring Transit Master Controller	208
Configuring PfR for Transit Location.....	213
Configuring Remote-Site Routers for Transit Site BRs	217

Deploying Multiple WAN Transports	222
Configuring Border Routers for Multiple WAN Transports.....	223
Configuring PfR for Multiple WAN Transports.....	241
Configuring Remote-Site Routers for Multiple WAN Transports	243
Deploying IWAN Quality of Service	259
Configuring QoS for DMVPN Routers.....	259
Applying DMVPN QoS Policy to DMVPN Hub Routers.....	266
Applying QoS Configurations to Remote Site Routers.....	271
Deploying IWAN Monitoring	276
Configuring Flexible NetFlow for IWAN Monitoring.....	276
Appendix A: Product List	286
Appendix B: Technical Feature Supplement	290
Front Door VRF for DMVPN	290
Appendix C: Common Sections	294
Configure the platform base features.....	294
Configure IKEv2 and IPsec for a DMVPN border router.....	297
Configure IKEv2 and IPsec for a remote site router.....	310
Appendix D: Changes	323

Deploying the Cisco Intelligent WAN

This guide focuses on how to deploy Cisco Intelligent WAN (IWAN). For design details, see [Intelligent WAN and WAN Design Summary](#). For configuration details, see [Intelligent WAN Configuration Files Guide](#).

DEPLOYMENT DETAILS

How to Read Commands

This guide uses the following conventions for commands that you enter at the command-line interface (CLI).

Commands to enter at a CLI prompt:

```
configure terminal
```

Commands that specify a value for a variable:

```
ntp server 10.10.48.17
```

Commands with variables that you must define:

```
class-map [highest class name]
```

Commands at a CLI or script prompt:

```
Router# enable
```

Long commands that line wrap are underlined.

Enter them as one command:

```
police rate 10000 pps burst 10000  
packets conform-action
```

Noteworthy parts of system output (or of device configuration files) are highlighted:

```
interface Vlan64  
ip address 10.5.204.5 255.255.255.0
```

Design Parameters

The procedures in this section provide examples for most settings. The actual settings and values that you use are determined by your current network configuration.

This deployment guide uses certain standard design parameters and references various network infrastructure services that are not located within the WAN. These parameters are listed in the following table.

Table 1 Universal design parameters

Network service	IP address
Domain name	cisco.local
Active Directory, DNS server, DHCP server	10.4.48.10
Cisco Secure Access Control System (ACS)	10.4.48.15
Network Time Protocol (NTP) server	10.4.48.17

You can use the following optional process for the IWAN hybrid, the IWAN dual Internet, and the IWAN dual hybrid design models.

PROCESS

Configuring an IOS Certificate Authority

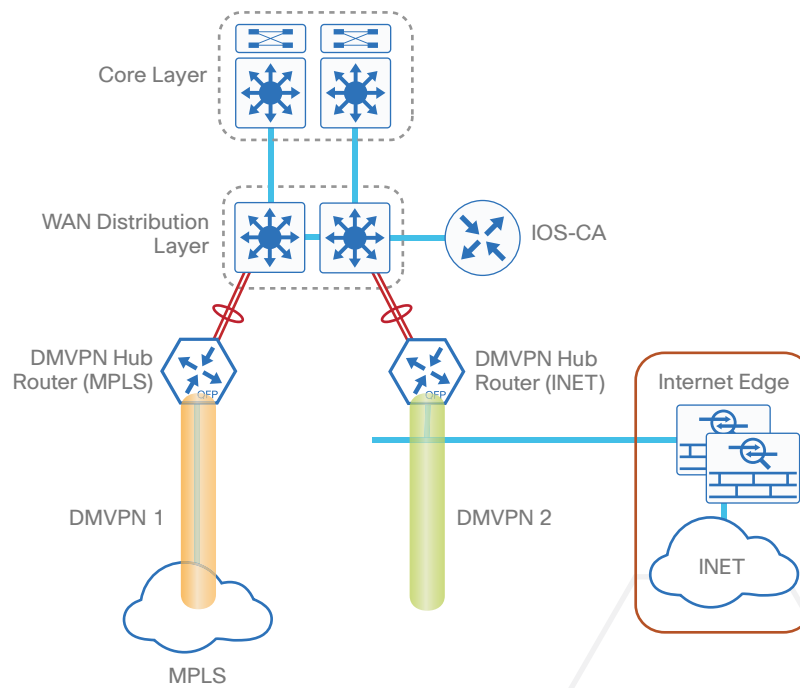
1. Configure the IOS CA platform
2. Configure connectivity to the network
3. Configure certificate authority

Use this optional process if you want to deploy an IOS Certificate Authority (IOS CA) on a router with access from the internal network. Skip this process if you are using pre-shared keys or if you plan to use a different certificate authority. You can create a more complex CA environment, but the same basic reachability principles will apply for an IWAN enabled solution.

For this process, you configure an IOS CA by using a single internal LAN interface, which allows access from the hub routers and the remote sites. The remote sites access the IOS CA for authentication and for obtaining their certificate after a DMVPN tunnel has been established with pre-shared keys.

After the remote site has obtained the PKI certificate, it can be re-configured to use PKI certificates instead of PSKs for IKEV2 authentication to build the DMVPN encrypted tunnels with the hubs and other remote sites. It no longer needs direct access to the IOS CA, except when it needs a new PKI certificate before the current PKI certificate times out (usually at least 1 year lifetime). At that point, the remote site will use the current DMVPN tunnel to access the IOS CA for the new PKI certificate.

Figure 1 IOS CA with internal LAN interface



Procedure 1 Configure the IOS CA platform

To complete the base configuration for this router, follow the steps in “Configure the platform base features” in Appendix C.

Procedure 2 Configure connectivity to the network

Step 1: The internal address is an inside address that can be accessed from the hub site or a remote site if the site is already up and running with a DMVPN tunnel.

```
interface GigabitEthernet0/0
description Internal
ip address 10.6.24.11 255.255.255.224
no shutdown
```

Step 2: Configure IP routing using a static route.

```
ip route 0.0.0.0 0.0.0.0 10.6.24.1
```

Procedure 3 Configure certificate authority

The following commands configure the CA on the router. This CA can be part of a PKI hierarchy, but only of IOS authorities, and the certificate from the root CA must be issued via SCEP.

Step 1: Configure the server.

```
crypto pki server IWAN-IOS-CA
database level complete
no database archive
issuer-name CN=IWAN-IOS-CA.cisco.local L=SanJose St=CA C=US
```

Step 2: Configure the server to use SCEP for issuing certificates.

```
grant auto
```

Step 3: Configure the lifetime for the issued certificates at 2 years. The time is in days.

```
lifetime certificate 730
```

Step 4: Configure the lifetime for the certificate server signing certificate at 3 years. The time is in days.

```
lifetime ca-certificate 1095
```


Step 5: Configure the location for certificate revocation lists.

Tech Tip

In order to force the parser to retain the embedded question mark within the specified location, enter CTRL+V prior to the question mark. If this action is not taken, CRL retrieval through HTTP returns an error message.

```
cdp-url http://10.6.24.11/cgi-bin/pkiclient.exe?operation=GetCRL
database url crl nvram:
```

Step 6: Start the server with the **no shutdown** command.

```
crypto pki server IWAN-IOS-CA
no shutdown
%Some server settings cannot be changed after CA certificate generation.
% Please enter a passphrase to protect the private key
% or type Return to exit
Password: c1sco123

Re-enter password: c1sco123
% Generating 1024 bit RSA keys, keys will be non-exportable...
[OK] (elapsed time was 2 seconds)

% Certificate Server enabled.
IWAN-IOS-CA(cs-server)#
Dec 15 13:19:49.254: %PKI-6-CS_ENABLED: Certificate server now enabled.
```

The following trustpoint and rsa keypair are automatically generated when you start the server:

```
crypto pki trustpoint IWAN-IOS-CA
revocation-check crl
rsakeypair IWAN-IOS-CA
```

Reader Tip

For more information, including options for configuring certificates, see the following document:
http://www.cisco.com/c/en/us/td/docs/ios-xml/ios/sec_conn_pki/configuration/15-mt/sec-pki-15-mt-book.pdf

PROCESS

Configuring DMVPN Hub Router

1. Configure the distribution switch
2. Configure the routing protocol on the distribution switch
3. Configure the WAN aggregation platform
4. Configure IP multicast routing
5. Configure connectivity to the LAN
6. Configure the routing protocol on the LAN
7. Configure the WAN-facing VRF
8. Connect to the MPLS WAN or Internet
9. Configure IKEv2 and IPsec
10. Configure the mGRE tunnel
11. Configure the routing protocol on the WAN

Use this process for the both the IWAN hybrid design model and the IWAN dual Internet design model, and repeat it for each DMVPN hub router.

Reader Tip

If you plan to deploy Cisco Wide Area Application Services in the future, all hub routers must be the same product model, like the routers listed in the table below.

At the time of this writing, the CSR1000v virtual router is not supported as a hub border router for IWAN due to scalability concerns.

Table 2 DMVPN hub router IP addresses

DMVPN cloud	Hostname	Loopback IP address	Port channel IP address
Hybrid–Primary WAN	HY-MPLS1-ASR1002X-1	10.6.32.241/32	10.6.32.2/30
Hybrid–Secondary WAN	HY-INET1-ASR1002X-2	10.6.32.242/32	10.6.32.6/30
Dual Internet–Primary WAN	DI-INET1-ASR1002X-11	10.6.32.246/32	10.6.32.42/30
Dual Internet–Secondary WAN	DI-INET2-ASR1002X-12	10.6.32.247/32	10.6.32.46/30

Procedure 1 Configure the distribution switch

Reader Tip

This process assumes that the distribution switch has already been configured following the guidance in the [Campus LAN Layer 2 Access with Simplified Distribution Deployment Guide](#). Only the procedures required to support the integration of the WAN aggregation router into the deployment are included.

The LAN distribution switch is the path to the organization's main campus and data center. A Layer 3 port-channel interface connects to the distribution switch to the WAN aggregation router and the internal routing protocol peers across this interface.

Tech Tip

As a best practice, use the same channel numbering on both sides of the link where possible.

Step 1: Configure the Layer 3 port-channel interface and assign the IP address.

```
interface Port-channel1
description HY-MPLS1-ASR1002X-1
no switchport
ip address 10.6.32.1 255.255.255.252
ip pim sparse-mode
load-interval 30
no shutdown
```

Step 2: Configure EtherChannel member interfaces.

Configure the physical interfaces to tie to the logical port-channel using the **channel-group** command. The number for the port-channel and channel-group must match. Not all router platforms can support link aggregation control protocol (LACP) in order to negotiate with the switch, so to keep the design consistent across the network, EtherChannel is configured statically, which also reduces startup times.

Also, apply the egress QoS macro that was defined in the platform configuration procedure in order to ensure traffic is prioritized appropriately.

```
interface GigabitEthernet1/0/1
  description HY-MPLS1-ASR1002X-1 Gig0/0/0

interface GigabitEthernet2/0/1
  description HY-MPLS1-ASR1002X-1 Gig0/0/1

interface range GigabitEthernet1/0/1, GigabitEthernet2/0/1
  no switchport
  channel-group 1 mode on
  logging event link-status
  logging event trunk-status
  logging event bundle-status
  load-interval 30
  no shutdown
  macro apply EgressQoS
```

Procedure 2 Configure the routing protocol on the distribution switch

If you are planning to use EIGRP, choose option 1. If you are planning to use BGP on the WAN and OSPF on the LAN, choose option 2.

Option 1: EIGRP on the LAN

Step 1: Allow EIGRP to form neighbor relationships across the port channel interface.

```
router eigrp IWAN-EIGRP
  address-family ipv4 unicast autonomous-system 400
  af-interface Port-channel1
    no passive-interface
    authentication mode md5
    authentication key-chain LAN-KEY
  exit-af-interface
  exit-address-family
```

Step 2: If you had previously configured EIGRP stub routing on your WAN distribution switch, disable the feature.

```
router eigrp IWAN-EIGRP
  address-family ipv4 unicast autonomous-system 400
  no eigrp stub
  exit-address-family
```

Step 3: On the distribution layer switch, configure the Layer 3 interface connected to the LAN core to summarize the WAN network ranges.

Tech Tip

It is a best practice to summarize IP routes from the WAN distribution layer towards the core.

```
router eigrp IWAN-EIGRP
  address-family ipv4 unicast autonomous-system 400
  af-interface Port-channel38
    summary-address 10.6.32.0 255.255.248.0
    summary-address 10.7.0.0 255.255.0.0
    summary-address 10.255.240.0 255.255.248.0
  exit-af-interface
  exit-address-family
```

Option 2: OSPF on the LAN

Step 1: Configure OSPF Area 0 by using the network summary address and the loopback interface IP address as the router-id.

```
router ospf 100
  router-id 10.6.32.240
  network 10.6.0.0 0.1.255.255 area 0
```

Step 2: Turn on passive-interface as the default and remove it for the LAN interfaces associated with the Hub MC and Hub BRs.

```
router ospf 100
  passive-interface default
  no passive-interface Vlan350
  no passive-interface Port-channel1
  no passive-interface Port-channel2
```

Procedure 3 Configure the WAN aggregation platform

Within this design, there are features and services that are common across all WAN aggregation routers. These are system settings that simplify and secure the management of the solution.

To complete the base configuration for this router, follow the steps in “Configure the platform base features” in Appendix C.

Procedure 4 Configure IP multicast routing

Optional

This optional procedure includes additional steps for configuring IP Multicast on a router. Skip this procedure if you do not want to use IP Multicast in your environment.

In this design, which is based on sparse mode multicast operation, Auto RP is used to provide a simple yet scalable way to provide a highly resilient RP environment.

Step 1: Enable IP Multicast routing on the platform in the global configuration mode.

```
ip multicast-routing
```

Step 2: The Cisco ASR1000 series and ISR4000 series routers require the **distributed** keyword.

```
ip multicast-routing distributed
```

Step 3: Configure every Layer 3 switch and router to discover the IP Multicast RP with autorp. Use the **ip pim autorp listener** command to allow for discovery across sparse mode links. This configuration provides for future scaling and control of the IP Multicast environment and can change based on network needs and design.

```
ip pim autorp listener
```

Step 4: Enable sparse mode multicast operation.

```
ip pim sparse-mode
```

Procedure 5 Configure connectivity to the LAN

Any links to adjacent distribution layers should be Layer 3 links or Layer 3 EtherChannels.

Step 1: Enable QoS support for port-channel interfaces.

```
platform qos port-channel-aggregate 1
```

Tech Tip

This only applies to ASR1000 routers. If there is a requirement to configure QoS on the port-channel interface, make sure to enable platform support before you create the port-channel interface on the router.

```
platform qos port-channel-aggregate [port-channel number]
```

If you apply this command globally for an existing port-channel-interface that already has been configured, you will receive an error:

```
"Port-channel 1 has been configured with non-aggregate mode already, please use different interface number that port-channel interface hasn't been configured"
```

If you need to apply a QoS policy to an existing port-channel interface, you must first delete the existing port-channel interface and configure platform support for that port-channel interface number.

Step 2: Configure Layer 3 port-channel interface.

```
interface Port-channel1
  ip address 10.6.32.2 255.255.255.252
  ip pim sparse-mode
  no shutdown
```

Step 3: Configure EtherChannel member interfaces.

Configure the physical interfaces to tie to the logical port-channel using the channel-group command. The number for the port-channel and channel-group must match.

```
interface GigabitEthernet0/0/0
  description IW-WAN-D3750X Gig1/0/1

interface GigabitEthernet0/0/1
  description IW-WAN-D3750X Gig2/0/1

interface range GigabitEthernet0/0/0, GigabitEthernet0/0/1
  no ip address
  channel-group 1
  cdp enable
  no shutdown
```

Procedure 6 Configure the routing protocol on the LAN

If you are planning to use EIGRP, choose option 1. If you are planning to use BGP on the WAN and OSPF on the LAN, choose option 2.

Option 1: EIGRP on the LAN

The following table shows the EIGRP LAN delay in use.

Table 3 EIGRP LAN delay for IWAN hub routers

LAN Interface	EIGRP LAN Delay (10 usec)
All LAN	50000

Step 1: Configure IP unicast routing authentication key.

```
key chain LAN-KEY
  key 1
    key-string cisco123
```


Step 2: Configure IP unicast routing using EIGRP named mode.

EIGRP is configured facing the LAN distribution or core layer. In this design, the port-channel interface and the loopback must be EIGRP interfaces. The loopback may remain a passive interface. Passive interfaces are used to prevent accidental peering and to reduce the EIGRP traffic on a network segment. The network range must include both interface IP addresses, either in a single network statement or in multiple network statements. This design uses a best practice of assigning the router ID to a loopback address.

```
router eigrp IWAN-EIGRP
  address-family ipv4 unicast autonomous-system 400
    af-interface default
      passive-interface
    exit-af-interface
  network 10.6.0.0 0.1.255.255
  eigrp router-id 10.6.32.241
  nsf
  exit-address-family
```

Step 3: Configure the EIGRP interface.

Allow EIGRP to form neighbor relationships across the interface to establish peering adjacencies and exchange route tables. In this step, you configure EIGRP authentication by using the authentication key specified in the previous procedure.

```
router eigrp IWAN-EIGRP
  address-family ipv4 unicast autonomous-system 400
    af-interface Port-channel1
      no passive-interface
      authentication mode md5
      authentication key-chain LAN-KEY
    exit-af-interface
  exit-address-family
```

Step 4: At the hub location where there are multiple border routers, the interface throughput delay setting should be set to influence the EIGRP routing protocol path preference.

Tech Tip

If you are using Port-channel interfaces with two Gigabit Ethernet members as recommended in this guide, you will have to double the LAN path delay to 500000 microseconds (usec), instead of the standard IWAN setting of 250000.

Set the internal LAN path to 500000 microseconds (usec). The delay command is entered in 10 usec units.

```
interface Port-channel1
    delay 50000
```

Option 2: OSPF on the LAN

Step 1: Configure OSPF Area 0 by using the network summary address and the loopback interface IP address as the router-id.

```
router ospf 100
    router-id 10.6.32.241
    network 10.6.0.0 0.1.255.255 area 0
```

Step 2: Turn on passive-interface as the default and remove it for the LAN interface.

```
router ospf 100
    passive-interface default
    no passive-interface Port-channel1
```

Procedure 7 Configure the WAN-facing VRF

Next, you create a WAN-facing VRF in order to support FVRF for DMVPN. The VRF name is arbitrary but it is useful to select a name that describes the VRF. The VRF must be enabled for IPv4.

Table 4 VRF assignments

IWAN design	Primary WAN VRF	Secondary WAN VRF
Hybrid	IWAN-TRANSPORT-1	IWAN-TRANSPORT-2
Dual Internet	IWAN-TRANSPORT-11	IWAN-TRANSPORT-12

This design uses VRF Lite, so the selection is only locally significant to the device. It is a best practice to use the same VRF/RD combination across multiple devices when using VRFs in a similar manner. However, this convention is not strictly required.

Step 1: Configure the primary WAN VRF.

Example: Primary WAN in IWAN hybrid design model

```
vrf definition IWAN-TRANSPORT-1
  address-family ipv4
```

Procedure 8 Connect to the MPLS WAN or Internet

Each IWAN DMVPN hub requires a connection to the WAN transport, which is either MPLS or Internet.

If you are using MPLS in this design, the DMVPN hub is connected to the service provider's MPLS PE router. The IP addressing used between IWAN CE and MPLS PE routers must be negotiated with your MPLS carrier.

If you are using the Internet in this design, the DMVPN hub is connected through a Cisco Adaptive Security Appliance (ASA) 5500 using a DMZ interface specifically created and configured for a VPN termination router.

The IP address that you use for the Internet-facing interface of the DMVPN hub router must be an Internet-routable address. There are two possible methods for accomplishing this task:

- Assign a routable IP address directly to the router.
- Assign a non-routable RFC-1918 address directly to the router and use a static NAT on the Cisco ASA 5500 to translate the router IP address to a routable IP address.

This design assumes that the Cisco ASA 5500 is configured for static NAT for the DMVPN hub router.

Option 1: MPLS WAN physical WAN interface

The DMVPN design is using FVRF, so you must place the WAN interface into the VRF configured in the previous procedure.

Step 1: Enable the interface, give it a description, select the VRF, and assign the IP address.

The physical interface bandwidth setting should be set to match the bandwidth of the respective transport, which should correspond to the actual interface speed or, if you are using a subrate service, use the policed rate from the carrier.

Configure **hold-queue in** and **hold-queue out** with a queue length of 4096 to avoid drops above and beyond the QoS policy drops.

```
interface GigabitEthernet0/0/3
  description MPLS1
  bandwidth 600000
  vrf forwarding IWAN-TRANSPORT-1
  ip address 192.168.6.1 255.255.255.252
  hold-queue 4096 in
  hold-queue 4096 out
  no shutdown
```

Step 2: Configure the VRF-specific default routing. The VRF created for FVRF must have its own default route to the MPLS. This default route points to the MPLS PE router's IP address and is used by DMVPN for tunnel establishment.

```
ip route vrf IWAN-TRANSPORT-1 0.0.0.0 0.0.0.0 192.168.6.2
```

Option 2: Internet WAN physical WAN interface

The DMVPN design is using FVRF, so you must place the WAN interface into the VRF configured the previous procedure.

Step 1: Enable the interface, give it a description, select the VRF, and assign the IP address.

The physical interface bandwidth setting should be set to match the bandwidth of the respective transport, which should correspond to the actual interface speed or, if you are using a substrate service, use the policed rate from the carrier.

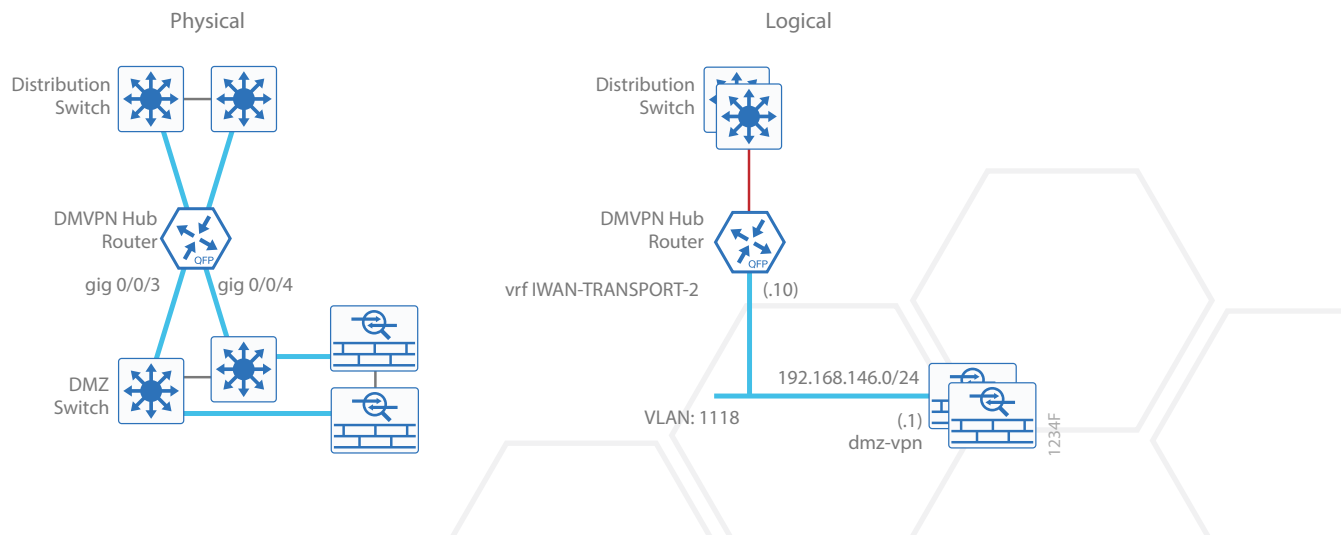
Configure **hold-queue in** and **hold-queue out** with a queue length of 4096 to avoid drops above and beyond the QoS policy drops.

```
interface GigabitEthernet0/0/3
description INET1
bandwidth 900000
vrf forwarding IWAN-TRANSPORT-2
ip address 192.168.146.10 255.255.255.0
hold-queue 4096 in
hold-queue 4096 out
no shutdown
```

Step 2: Configure the VRF-specific default routing. The VRF created for FVRF must have its own default route to the Internet. This default route points to the Cisco ASA 5500's DMZ interface IP address.

```
ip route vrf IWAN-TRANSPORT-2 0.0.0.0 0.0.0.0 192.168.146.1
```

Figure 2 Physical and logical views for DMZ connection



Procedure 9 Configure IKEv2 and IPsec

The crypto configurations have been simplified in this version of the guide in order to minimize the number of variations from previous guides.

To complete the IKEv2 and IPsec configuration for this router, follow the steps in “Configure IKEv2 and IPsec for a DMVPN border router” in Appendix C.

Procedure 10 Configure the mGRE tunnel

The parameters in the table below are used in this procedure. Choose the rows that represent the design model that you are configuring. This procedure applies to the primary WAN hub router in the IWAN hybrid design model.

Table 5 DMVPN tunnel parameters

DMVPN cloud	Tunnel VRF	Tunnel number	Tunnel IP address	NHRP network ID/tunnel key
Hybrid–Primary WAN	IWAN-TRANSPORT-1	10	10.6.34.1/23	101
Hybrid–Secondary WAN	IWAN-TRANSPORT-2	11	10.6.36.1/23	102
Dual Internet–Primary WAN	IWAN-TRANSPORT-11	20	10.6.64.1/23	201
Dual Internet–Secondary WAN	IWAN-TRANSPORT-12	21	10.6.66.1/23	202

Step 1: Configure the basic interface settings.

The tunnel number is arbitrary, but it is best to begin tunnel numbering at 10 or above, because other features deployed in this design may also require tunnels and they may select lower numbers by default.

The tunnel interface bandwidth setting should be set to match the bandwidth of the respective transport, which should correspond to the actual interface speed or, if you are using a subrate service, use the policed rate from the carrier.

Configure the **ip mtu** to 1400 and the **ip tcp adjust-mss** to 1360. There is a 40 byte difference that corresponds to the combined IP and TCP header length.

Configure **hold-queue in** and **hold-queue out** with a queue length of 4096 to avoid drops above and beyond the QoS policy drops.

```
interface Tunnel10
  description MPLS1
  bandwidth 600000
  ip address 10.6.34.1 255.255.254.0
  no ip redirects
  ip mtu 1400
  ip tcp adjust-mss 1360
  hold-queue 4096 in
  hold-queue 4096 out
```

Step 2: Configure the tunnel.

DMVPN uses mGRE tunnels. This type of tunnel requires a source interface only. Use the same source interface that you use to connect to the MPLS or Internet. Set the **tunnel vrf** command to the VRF defined previously for FVRF.

Enabling encryption on this interface requires that you apply the IPsec profile configured in the previous procedure.

```
interface Tunnel10
  tunnel source GigabitEthernet0/0/3
  tunnel mode gre multipoint
  tunnel key 101
  tunnel vrf IWAN-TRANSPORT-1
  tunnel protection ipsec profile DMVPN-IPSEC-PROFILE
```

Step 3: Configure NHRP.

The DMVPN hub router acts in the role of NHRP server for all of the spokes. NHRP is used by remote routers to determine the tunnel destinations for peers attached to the mGRE tunnel.

NHRP requires all devices within a DMVPN cloud to use the same network ID and authentication key. The NHRP cache holdtime should be configured to 600 seconds.

The routing protocol relies on a multicast transport and requires that NHRP automatically add routers to the multi-cast NHRP mappings.

The `ip nhrp redirect` command allows the DMVPN hub to notify spoke routers that a more optimal path may exist to a destination network, which may be required for DMVPN spoke-spoke direct communications.

```
interface Tunnel10
  ip nhrp authentication cisco123
  ip nhrp map multicast dynamic
  ip nhrp network-id 101
  ip nhrp holdtime 600
  ip nhrp redirect
```

Step 4: (Optional) Enable PIM non-broadcast multiple access (NBMA) mode for the DMVPN tunnel.

Spoke-to-spoke DMVPN networks present a unique challenge because the spokes cannot directly exchange information with one another, even though they are on the same logical network. This inability to directly exchange information can also cause problems when running IP Multicast.

To resolve this issue requires a method where each remote PIM neighbor has its join messages tracked separately. A router in PIM NBMA mode treats each remote PIM neighbor as if it were connected to the router through a point-to-point link.

Tech Tip

Do not enable PIM on the Internet DMZ interface, as no multicast traffic should be requested from this interface.

```
interface Tunnel10
  ip pim nbma-mode
```



Procedure 11 Configure the routing protocol on the WAN

If you are planning to use EIGRP, choose option 1. If you are planning to use BGP on the WAN and OSPF on the LAN, choose option 2.

Option 1: EIGRP on the WAN

The following table shows the DMVPN tunnel names and EIGRP WAN delay in use.

Table 6 EIGRP WAN delay for IWAN hybrid hub routers

DMVPN Tunnel	EIGRP WAN Delay (10 usec)
Tunnel10	1000 (MPLS1)
Tunnel11	2000 (INET1)

Table 7 EIGRP WAN delay for IWAN dual Internet hub routers

DMVPN Tunnel	EIGRP WAN Delay (10 usec)
Tunnel20	1000 (INET1)
Tunnel21	2000 (INET2)

Step 1: Configure the EIGRP values for the mGRE tunnel interface.

Spoke-to-spoke DMVPN networks present a unique challenge because the spokes cannot directly exchange information with one another, even though they are on the same logical network. This limitation requires that the DMVPN hub router advertise routes from other spokes on the same network. This advertisement of these routes would normally be prevented by split horizon and can be overridden by the **no split-horizon** command.

The EIGRP hello interval is increased to 20 seconds and the EIGRP hold time is increased to 60 seconds in order to accommodate up to 2000 remote sites on a single DMVPN cloud. Increasing the EIGRP timers also slows down the routing convergence to improve network stability and the IWAN design allows PfR to initiate the fast failover, so changing the timers is recommended for all IWAN deployments.

```
router eigrp IWAN-EIGRP
  address-family ipv4 unicast autonomous-system 400
  af-interface Tunnel10
    hello-interval 20
    hold-time 60
    no passive-interface
    no split-horizon
  exit-af-interface
exit-address-family
```


Step 2: Configure EIGRP neighbor authentication. Neighbor authentication enables the secure establishment of peering adjacencies and exchange route tables over the DMVPN tunnel interface.

```
key chain WAN-KEY
  key 1
    key-string cisco123

router eigrp IWAN-EIGRP
  address-family ipv4 unicast autonomous-system 400
  af-interface Tunnel10
    authentication mode md5
    authentication key-chain WAN-KEY
  exit-af-interface
exit-address-family
```

Step 3: Configure EIGRP network summarization.

The IP assignments for the entire network were designed so they can be summarized within a few aggregate routes. As configured below, the **summary-address** command suppresses the more specific routes. If any network within the summary is present in the route table, the summary is advertised to the remote sites, which offers a measure of resiliency. If the various networks cannot be summarized, then EIGRP continues to advertise the specific routes.

```
router eigrp IWAN-EIGRP
  address-family ipv4 unicast autonomous-system 400
  af-interface Tunnel10
    summary-address 10.6.0.0 255.255.0.0
    summary-address 10.7.0.0 255.255.0.0
    summary-address 10.255.240.0 255.255.248.0
  exit-af-interface
```

Step 4: Configure EIGRP summary metrics.

If there are many component routes to be summarized and the component routes are frequently updated, the metrics are also updated frequently, which may cause a spike in CPU usage. The **summary-metric** command explicitly sets the metric for the summary regardless of the component route metric, which reduces the computational load on a router.

The first value is the bandwidth metric in Kbits per second. The second value is the delay metric in 10 usecs. The third value is the reliability metric where 255 is 100% reliable. The fourth value is the effective bandwidth metric (loading) where 255 is 100% loaded. The fifth value is the MTU of the path.

Tech Tip

EIGRP uses the path's minimum bandwidth as part of the metric calculation. The path's minimum bandwidth is defined in a route advertisement in the minimum bandwidth path attribute. Setting the summary metric bandwidth (first value) to 10 Mbps essentially removes the ability to differentiate between a 10 Mbps tunnel (MPLS1) and a 100 Mbps circuit (INET1) because both paths have a minimum bandwidth of 10 Mbps. Setting the summary metric bandwidth to 10 Gbps as recommended in this guide allows the calculations on the branch router to differentiate tunnel bandwidth, regardless of the size of each path.

Use the identical values for each summary address defined in the previous step.

```
router eigrp IWAN-EIGRP
  address-family ipv4 unicast autonomous-system 400
    topology base
      summary-metric 10.6.0.0/16 10000000 10000 255 1 1500
      summary-metric 10.7.0.0/16 10000000 10000 255 1 1500
      summary-metric 10.255.240.0/21 10000000 10000 255 1 1500
    exit-af-topology
```

Step 5: Configure the throughput delay on the tunnel interface.

The tunnel interface throughput delay setting should be set to influence the EIGRP routing protocol path preference. Set the primary WAN path to 10000 usec and the secondary WAN path to 20000 usec to prefer one over the other. The delay command is entered in 10 usec units.

```
interface Tunnel10
  delay 1000
```

Step 6: Tag and filter the routes.

This design uses a single EIGRP autonomous system for the VPN and all of the WAN remote sites. Every remote site is dual-connected for resiliency. However, due to the multiple paths that exist within this topology, you must try to avoid routing loops and to prevent remote sites from becoming transit sites if WAN failures were to occur.

In this design, there are different IP subnets for each DMVPN network, and the EIGRP tags are clearly defined to help with readability and troubleshooting. When a design uses more than one data center, additional tags are required to identify the different DMVPN hub router locations.

The following logic is used to control the routing.

- Each DMVPN network will have an EIGRP route tag in order to prevent routes from being re-advertised over the other DMVPN networks at the remote sites.
- All prefixes that are advertised towards the WAN are uniquely tagged.
- All DMVPN learned WAN prefixes, except those that originate locally from a hub, are advertised towards the LAN and tagged.

Outbound distribute-lists are used to set tags on the DMVPN hub routers towards the WAN and LAN. The remote-site routers use **eigrp stub-site** in order to protect against becoming transit sites.

The following tables show specific route tags in use.

Table 8 Route tag information for IWAN hybrid hub routers

DMVPN hub	DMVPN tunnel subsets	DMVPN tunnel key	Tag tunnel	Tag LAN
HY-MPLS1-ASR1002X-1	10.6.34.0/23	101 (MPLS1)	101 (All routes)	101 (WAN routes)
HY-INET1-ASR1002X-2	10.6.36.0/23	102 (INET1)	102 (All routes)	102 (WAN routes)

Table 9 Route tag information for IWAN dual Internet hub routers

DMVPN hub	DMVPN tunnel subsets	DMVPN tunnel key	Tag tunnel	Tag LAN
DI-INET1-ASR1002X-11	10.6.64.0/23	201 (INET1)	201 (All routes)	201 (WAN routes)
DI-INET2-ASR1002X-12	10.6.66.0/23	202 (INET2)	202 (All routes)	202 (WAN routes)

The following examples show both DMVPN hub routers in the IWAN hybrid design model.

Example: MPLS hub border router–HY-MPLS1-ASR1002X-1

```

route-map SET-TAG-ALL permit 10
  description tag all routes advertised through the tunnel
  set tag 101

! All MPLS tunnel interfaces are in this IP address range
ip access-list standard DMVPN-1-SPOKES
  permit 10.6.34.0 0.0.1.255

route-map SET-TAG-DMVPN-1 permit 10
  description Tag all incoming routes advertised through LAN interface
  match ip route-source DMVPN-1-SPOKES
  set tag 101

route-map SET-TAG-DMVPN-1 permit 100
  description Advertise all other routes with no tag

router eigrp IWAN-EIGRP
  address-family ipv4 unicast autonomous-system 400
    topology base
      distribute-list route-map SET-TAG-DMVPN-1 out Port-channel1
      distribute-list route-map SET-TAG-ALL out Tunnel10

```

Example: INET hub border router–HY-INET1-ASR1002X-2

```

route-map SET-TAG-ALL permit 10
  description tag all routes advertised through the tunnel
  set tag 102

! All INET tunnel interfaces are in this IP address range
ip access-list standard DMVPN-2-SPOKES
  permit 10.6.36.0 0.0.1.255

route-map SET-TAG-DMVPN-2 permit 10
  description Tag all incoming routes advertised through LAN interface
  match ip route-source DMVPN-2-SPOKES

```

```

set tag 102

route-map SET-TAG-DMVPN-2 permit 100
description Advertise all other routes with no tag

router eigrp IWAN-EIGRP
address-family ipv4 unicast autonomous-system 400
topology base
  distribute-list route-map SET-TAG-DMVPN-2 out Port-channel2
  distribute-list route-map SET-TAG-ALL out Tunnel11

```

Step 7: Proceed to “Configuring the Firewall and DMZ Switch.”

Option 2: BGP on the WAN

The following table shows the tunnel DMVPN IP subnets, local preferences, community strings, and metrics in use.

Table 10 DMVPN tunnel subnets, local preferences, community strings, and metrics

DMVPN hub router	DMVPN Tunnels	BGP Local Preference	BGP Community String	OSPF Metric
HY-MPLS1-ASR1002X-1	10.6.34.0/23	800 (MPLS1)	65100:100	1000
HY-INET1-ASR1002X-2	10.6.36.0/23	780 (INET1)	65100:200	1200

Step 1: Configure BGP values for the tunnel interface.

Use a private AS number for the BGP process. Assign this router’s loopback address as the BGP router-id. Log the neighbor changes. Create a listen range that includes the subnet range of the tunnel interface. For internal BPG, use the same AS number for the remote sites. Create the route reflector and use the tunnel as the update source interface. Adjust the BGP hello and hold timers to 20 seconds and 60 seconds, respectively.

```

router bgp 65100
  bgp router-id 10.6.32.241
  bgp log-neighbor-changes
  bgp listen range 10.6.34.0/23 peer-group MPLS1-SPOKES
  neighbor MPLS1-SPOKES peer-group
  neighbor MPLS1-SPOKES remote-as 65100
  neighbor MPLS1-SPOKES description MPLS1 Spoke Route Reflector
  neighbor MPLS1-SPOKES update-source Tunnel10
  neighbor MPLS1-SPOKES timers 20 60

```

Step 2: Create the static null routes for the enterprise summary prefix and the site-specific prefixes.

```
ip route 10.4.0.0 255.252.0.0 Null0 254
ip route 10.6.0.0 255.255.0.0 Null0 254
ip route 10.4.0.0 255.255.0.0 Null0 254
```

Step 3: Configure the BGP address family. Define the network statements for the default network, the enterprise summary prefix, the site-specific prefixes and the local MC loopback IP address the router will advertise to the remote sites. Configure BGP dynamic neighbors for the remote sites. Set the BGP distance and redistribute the internal networks.

Tech Tip

The syntax for the **distance bgp** command is as follows:

```
distance bgp external-distance internal-distance local-distance
```

external-distance—Administrative distance for BGP external routes. External routes are routes for which the best path is learned from a neighbor external to the autonomous system. Acceptable values are from 1 to 255. The default is 20. Routes with a distance of 255 are not installed in the routing table.

internal-distance—Administrative distance for BGP internal routes. Internal routes are those routes that are learned from another BGP entity within the same autonomous system. Acceptable values are from 1 to 255. The default is 200. Routes with a distance of 255 are not installed in the routing table.

local-distance—Administrative distance for BGP local routes. Local routes are those networks listed with a network router configuration command, often as back doors, for that router or for networks that are being redistributed from another process. Acceptable values are from 1 to 255. The default is 200. Routes with a distance of 255 are not installed in the routing table.

```
router bgp 65100
address-family ipv4
  bgp redistribute-internal
  network 0.0.0.0
  network 10.4.0.0 mask 255.252.0.0
  network 10.4.0.0 mask 255.255.0.0
  network 10.6.0.0 mask 255.255.0.0
  network 10.6.32.251 mask 255.255.255.255
  neighbor MPLS1-SPOKES activate
  neighbor MPLS1-SPOKES send-community
  neighbor MPLS1-SPOKES route-reflector-client
  neighbor MPLS1-SPOKES next-hop-self all
  neighbor MPLS1-SPOKES weight 50000
  neighbor MPLS1-SPOKES soft-reconfiguration inbound
  distance bgp 201 19 200
exit-address-family
```

Step 4: Create the prefix lists for BGP.

Define the prefix-lists for the default network, the enterprise summary prefix, the site-specific prefixes, the local MC loopback IP address, and the subnet ranges for the DMVPN tunnels.

```
ip prefix-list DEFAULT-ROUTE seq 10 permit 0.0.0.0/0
ip prefix-list ENTERPRISE-PREFIX seq 10 permit 10.4.0.0/14
ip prefix-list LOCALDC-PREFIX seq 10 permit 10.4.0.0/16
ip prefix-list LOCALDC-PREFIX seq 20 permit 10.6.0.0/16
ip prefix-list LOCALMCLOOPBACK seq 10 permit 10.6.32.251/32
ip prefix-list TUNNEL-DMVPN seq 10 permit 10.6.34.0/23
```

Step 5: Create and apply the prefix route maps for BGP.

Define the route map to block prefixes inbound on the tunnel interface. Define the route map to allow prefixes to go out on the tunnel interface. Set the local preference and the community string for this DMVPN hub router. Apply the route maps to the BGP address family. Configure BGP to display communities in the format AA:NN.

Example: MPLS hub border router–HY-MPLS1-ASR1002X-1

```
ip bgp-community new-format

route-map MPLS1-IN deny 10
  description All Blocked Prefixes to come IN on BGP
  match ip address prefix-list DEFAULT-ROUTE ENTERPRISE-PREFIX LOCALDC-PREFIX LO-
CALMCLOOPBACK TUNNEL-DMVPN

route-map MPLS1-IN permit 1000
  description Allow Everything Else

route-map MPLS1-OUT permit 10
  description All Allowed Prefixes to Go OUT on BGP to Spokes
  match ip address prefix-list DEFAULT-ROUTE ENTERPRISE-PREFIX LOCALDC-PREFIX LO-
CALMCLOOPBACK
  set local-preference 800
  set community 65100:100

router bgp 65100
  address-family ipv4
    neighbor MPLS1-SPOKES route-map MPLS1-IN in
    neighbor MPLS1-SPOKES route-map MPLS1-OUT out
  exit-address-family
```

Example: INET hub border router–HY-INET1-ASR1002X-2

```

ip bgp-community new-format

route-map INET1-IN deny 10
  description All Blocked Prefixes to come IN on BGP
  match ip address prefix-list DEFAULT-ROUTE ENTERPRISE-PREFIX LOCALDC-PREFIX LO-
  CALMCLOOPBACK TUNNEL-DMVPN

route-map INET1-IN permit 1000
  description Allow Everything Else

route-map INET1-OUT permit 10
  description All Allowed Prefixes to Go OUT on BGP to Spokes
  match ip address prefix-list DEFAULT-ROUTE ENTERPRISE-PREFIX LOCALDC-PREFIX LO-
  CALMCLOOPBACK
  set local-preference 780
  set community 65100:200

router bgp 65100
  address-family ipv4
    neighbor INET1-SPOKES route-map INET1-IN in
    neighbor INET1-SPOKES route-map INET1-OUT out
  exit-address-family

```

Step 6: Create and apply the BGP to OSPF redistribution route map for OSPF.

Define the route map to block null routes from being distributed into OSPF. Set the metric to the appropriate value for this DMVPN hub router. Apply the route map to the OSPF process.

Example: MPLS hub border router–HY-MPLS1-ASR1002X-1

```

route-map REDIST-BGP-TO-OSPF deny 20
  description Block Null routes to be distributed from BGP to OSPF
  match ip address prefix-list DEFAULT-ROUTE ENTERPRISE-PREFIX LOCALDC-PREFIX

route-map REDIST-BGP-TO-OSPF permit 1000
  description Set metric on all routes
  set metric 1000
  set metric-type type-1

router ospf 100
  redistribute bgp 65100 subnets route-map REDIST-BGP-TO-OSPF

```


Example: INET hub border router–HY-INET1-ASR1002X-2

```

route-map REDIST-BGP-TO-OSPF deny 20
  description Block Null routes to be distributed from BGP to OSPF
  match ip address prefix-list DEFAULT-ROUTE ENTERPRISE-PREFIX LOCALDC-PREFIX

route-map REDIST-BGP-TO-OSPF permit 1000
  description Set metric on all routes
  set metric 1200
  set metric-type type-1

router ospf 100
  redistribute bgp 65100 subnets route-map REDIST-BGP-TO-OSPF

```

PROCESS**Configuring the Firewall and DMZ Switch**

1. Configure the DMZ switch for DMVPN hub router
2. Configure firewall DMZ interface
3. Configure network address translation
4. Configure security policy

If necessary, configure the DMZ and firewall for the Internet WAN.

Tech Tip

If the firewall is owned by the service provider, they will have to perform the same procedures and steps to allow DMVPN traffic into their DMZ as described in this process.

To avoid UDP500 session timeouts, the firewall policy must allow the required protocols from the “Firewall policy rules for DMVPN hub routers” table into their DMZ network where the hub BRs are located.

Procedure 1 Configure the DMZ switch for DMVPN hub router**Reader Tip**

This procedure assumes that the switch has already been configured following the guidance in the [Campus LAN Layer 2 Access with Simplified Distribution Deployment Guide](#). Only the procedures required to support the integration of the firewall into the deployment are included.

Step 1: Set the DMZ switch to be the spanning tree root for the VLAN that contains the DMVPN hub router.

```
vlan 1118
  name dmz-vpn

spanning-tree vlan 1118 root primary
```

Step 2: Configure the interface that is connected to the DMVPN hub routers. Repeat as necessary.

```
interface GigabitEthernet1/0/1
  description HY-INET1-ASR1002X-2 (gig0/0/3)
  switchport access vlan 1118
  switchport host
  logging event link-status
  load-interval 30
  no shutdown
  macro apply EgressQoS
```

Step 3: Configure the interfaces that are connected to the appliances as a trunk.

```
interface GigabitEthernet1/0/48
  description IE-ASA5545Xa Gig0/1

interface GigabitEthernet2/0/48
  description IE-ASA5545Xb Gig0/1

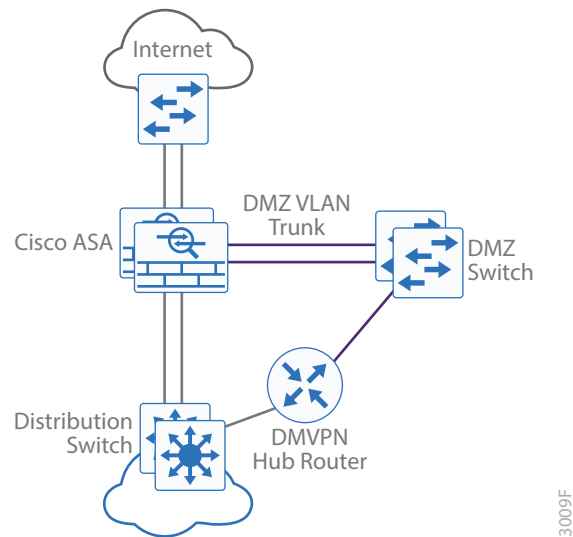
interface range GigabitEthernet1/0/48, GigabitEthernet2/0/48
  switchport trunk allowed vlan add 1118
  switchport mode trunk
  logging event link-status
  logging event trunk-status
  load-interval 30
  no shutdown
  macro apply EgressQoS
```

Procedure 2 Configure firewall DMZ interface

The firewall's DMZ is a portion of the network where, typically, traffic to and from other parts of the network is tightly restricted. Organizations place network services in a DMZ for exposure to the Internet. These servers are typically not allowed to initiate connections to the 'inside' network, except for specific circumstances.

The DMZ network is connected to the appliances on the appliances' GigabitEthernet interface via a VLAN trunk to allow the greatest flexibility if new VLANs must be added to connect additional DMZs. The trunk connects the appliances to a 2960X access-switch stack to provide resiliency. The DMZ VLAN interfaces on the Cisco ASA are each assigned an IP address, which will be the default gateway for each of the VLAN subnets. The DMZ switch only offers Layer 2 switching capability; the DMZ switch's VLAN interfaces do not have an IP address assigned, save for one VLAN interface with an IP address for management of the switch.

Figure 3 DMZ VLAN topology and services



Tech Tip

By setting the DMZ connectivity as a VLAN trunk, you get the greatest flexibility.

Step 1: In **Configuration > Device Setup > Interfaces**, click the interface that is connected to the DMZ switch. (Example: GigabitEthernet0/1)

Step 2: Click **Edit**.

Step 3: Select **Enable Interface**, and then click **OK**.

Step 4: On the Interface pane, click **Add > Interface**.

Step 5: In the **Hardware Port** list choose the interface configured in Step 1. (Example: GigabitEthernet0/1)

Step 6: In the **VLAN ID** box, enter the VLAN number for the DMZ VLAN. (Example: 1118)

Step 7: In the **Subinterface ID** box, enter the VLAN number for the DMZ VLAN. (Example: 1118)

Step 8: Enter an **Interface Name**. (Example: dmz-dmvpn)

Step 9: In the **Security Level** box, enter a value of **75**.

Step 10: Enter the interface **IP Address**. (Example: 192.168.146.1)

Step 11: Enter the interface **Subnet Mask**, and then click **OK**. (Example: 255.255.255.0)

Step 12: Click Apply.

Add Interface

General | Advanced | IPv6

Hardware Port: GigabitEthernet0/1

VLAN ID: 1118

Subinterface ID: 1118

Interface Name: dmz-dmvpn

Security Level: 75

Dedicate this interface to management only

Channel Group:

Enable Interface

IP Address

Use Static IP Obtain Address via DHCP Use PPPoE

IP Address: 192.168.146.1

Subnet Mask: 255.255.255.0

Description: dmz-dmvpn subinterface to IW-DMZ-A2960X

OK Cancel Help

Step 13: In Configuration > Device Management > High Availability > click Failover.

Step 14: On the **Interfaces** tab, for the interface created in Step 4, enter the IP address of the standby unit in the Standby IP address column. (Example: 192.168.146.2)

Step 15: Select Monitored.

Step 16: Click Apply.

Configuration > Device Management > High Availability and Scalability > Failover

Setup | **Interfaces** | Criteria | MAC Addresses

Define interface standby IP addresses and monitoring status. Double-click on a standby address or click on a monitoring checkbox to edit it.

Interface Name	Name	Active IP Address	Subnet Mask/ Prefix Length	Standby IP Address	Monitored
GigabitEthernet0/0.300	inside	10.6.24.30	255.255.255.224	10.6.24.29	<input checked="" type="checkbox"/>
GigabitEthernet0/1.1116	dmz-web	192.168.144.1	255.255.255.0	192.168.144.2	<input checked="" type="checkbox"/>
GigabitEthernet0/1.1118	dmz-vpn	192.168.146.1	255.255.255.0	192.168.146.2	<input checked="" type="checkbox"/>
GigabitEthernet0/1.1123	dmz-management	192.168.151.1	255.255.255.0	192.168.151.2	<input checked="" type="checkbox"/>
GigabitEthernet0/1.1128	dmz-guest	192.168.158.1	255.255.252.0	192.168.156.2	<input checked="" type="checkbox"/>
GigabitEthernet0/3.16	outside-16	172.16.140.124	255.255.255.0	172.16.140.123	<input checked="" type="checkbox"/>
GigabitEthernet0/3.17	outside-17	172.17.140.124	255.255.255.0	172.17.140.123	<input checked="" type="checkbox"/>

Procedure 3 Configure network address translation

The DMZ network uses private network (RFC 1918) addressing that is not Internet routable, so the firewall must translate the DMZ address of the DMVPN hub router to an outside public address.

The following table shows the example-DMZ-address-to-public-IP-address mapping for the hybrid and dual Internet designs.

Table 11 DMVPN NAT address mapping

DMVPN	DMVPN hub router DMZ address	DMVPN hub router public address (externally routable after NAT)
IWAN-TRANSPORT-2	192.168.146.10	172.16.140.1 (ISP-A on hybrid)
IWAN-TRANSPORT-11	192.168.146.20	172.16.140.11 (ISP-A on dual INET)
IWAN-TRANSPORT-12	192.168.146.21	172.17.140.11 (ISP-B on dual INET)

First, to simplify the configuration of the security policy, you create the External DMZ network objects that are used in the firewall policies.

Table 12 External DMZ firewall network objects

Network object name	Object type	IP address	Description
outside-dmvpn-2-ISPa	Host	172.16.140.1	DMVPN hub router 2 on ISP A (outside)
outside-dmvpn-11-ISPa	Host	172.16.140.11	DMVPN hub router 11 on ISP A (outside)
outside-dmvpn-12-ISPb	Host	172.17.140.11	DMVPN hub router 12 on ISP B (outside)

Step 1: Navigate to **Configuration > Firewall > Objects > Network Objects/Groups**.

Step 2: Click **Add > Network Object**.

The Add Network Object dialog box appears.

Step 3: In the **Name** box, enter the name. (Example: outside-dmvpn-2-ISPa)

Step 4: In the **Type** list, choose **Host** or **Network**. (Example: Host)

Step 5: In the **IP Address** box, enter the address. (Example: 172.16.140.1)

Step 6: In the **Description** box, enter a useful description, and then click **OK**. (Example: DMVPN hub router 2 on ISP A)

The screenshot shows a dialog box titled "Add Network Object". It contains the following fields and values:

- Name: outside-dmvpn-2-ISPa
- Type: Host
- IP Version: IPv4 (selected), IPv6
- IP Address: 172.16.140.1
- Description: DMVPN hub router 2 on ISP A

At the bottom, there are three buttons: OK, Cancel, and Help. A "NAT" label is visible at the bottom left of the dialog box.

Step 7: Repeat Step 2 through Step 6 for each object listed in the above table. If an object already exists, then skip to the next object listed in the table.

Step 8: After adding all of the objects listed, click **Apply** on the Network Objects/Groups pane.

Next, you add a network object for the private DMZ address of the DMVPN hub router.

Table 13 Private DMZ firewall network objects

Network object name	Object type	IP address	Description
dmz-dmvpn-2	Host	192.168.146.10	DMVPN hub router 2 on vpn-dmz
dmz-dmvpn-11	Host	192.168.146.20	DMVPN hub router 11 on vpn-dmz
dmz-dmvpn-12	Host	192.168.146.21	DMVPN hub router 12 on vpn-dmz

Step 9: Navigate to **Configuration > Firewall > Objects > Network Objects/Groups**.

Step 10: Click **Add > Network Object**.

The Add Network Object dialog box appears.

Step 11: In the **Name** box, enter the name. (Example: dmz-dmvpn-2)

Step 12: In the **Type** list, choose **Host** or **Network**. (Example: Host)

Step 13: In the **IP Address** box, enter the address. (Example: 192.168.146.10)

Step 14: In the **Description** box, enter a useful description, and then click **OK**. (Example: DMVPN hub router 2 on vpn-dmz)

Step 15: Click the two down arrows. The NAT pane expands.

Step 16: Select **Add Automatic Address Translation Rules**.

Step 17: In the **Translated Address** list, choose the network object created previously. (Example: outside-dm-vpn-2-ISP)

Step 18: Select **Use one-to-one address translation**, and then click **OK**.

Step 19: Repeat Step 10 through Step 18 for each object listed in the above table. If an object already exists, then skip to the next object listed in the table.



Step 20: After adding all of the objects listed, on the Network Objects/Groups pane, click **Apply**.

The screenshot shows the 'Add Network Object' dialog box with the following configuration:

- Name:** dmz-dmvpn-2
- Type:** Host
- IP Version:** IPv4 (selected)
- IP Address:** 192.168.146.10
- Description:** DMVPN hub router 2 on vpn-dmz

The **NAT** section is expanded and shows the following options:

- Add Automatic Address Translation Rules
- Type:** Static
- Translated Addr:** outside-dmvpn-2-ISPa
- Use one-to-one address translation
- PAT Pool Translated Address:
- Round Robin
- Extend PAT uniqueness to per destination instead of per interface
- Translate TCP and UDP ports into flat range 1024-65535 Include range 1-1023
- Fall through to interface PAT(dest intf): dmz-guest
- Use IPv6 for interface PAT

Buttons at the bottom include 'Advanced...', 'OK', 'Cancel', and 'Help'.

Procedure 4 Configure security policy

The VPN DMZ provides an additional layer of protection to lower the likelihood of certain types of misconfiguration of the DMVPN routers exposing the business network to the Internet. A filter allows only DMVPN related traffic to reach the DMVPN hub routers from the DMVPN spoke routers on the Internet.

Step 1: Navigate to **Configuration > Firewall > Access Rules**.

Table 14 Firewall policy rules for DMVPN hub routers

Interface	Action	Source	Destination	Service	Description	Logging enable/level
Any	Permit	any4	dmz-vpn-network	udp/4500	(required) Allow (non500-ISAKMP) traffic to the DMVPN hub routers	Selected/Default
Any	Permit	any4	dmz-vpn-network	udp/isakmp	(required) Allow ISAKMP (UDP500) traffic to the DMVPN hub routers	Selected/Default
Any	Permit	any4	dmz-vpn-network	Esp	(required) Allow ESP IP protocol 50 IPsec traffic to the DMVPN hub routers	Selected/Default
Any	Permit	any4	dmz-vpn-network	icmp/echo	(optional) Allow remote ping diagnostic traffic [ICMP Type 0, Code 0]	Selected/Default
Any	Permit	any4	dmz-vpn-network	icmp/echo reply	(optional) Allow remote pings reply diagnostic traffic [ICMP Type 8, Code 0]	Selected/Default
Any	Permit	any4	dmz-vpn-network	icmp/time-exceeded	(optional) ICMP Type 11, Code 0	Selected/Default
Any	Permit	any4	dmz-vpn-network	icmp/port-unreachable	(optional) ICMP Type 3, Code 3	Selected/Default
Any	Permit	any4	dmz-vpn-network	>udp/1023	(optional) UDP high ports	Selected/Default

Step 2: Click the rule that denies traffic from the DMZ toward other networks.



Caution

Be sure to perform this step for *every* rule listed in the previous table. Inserting the rules above the DMZ-to-any rule keeps the added rules in the same order as listed, which is essential for the proper execution of the security policy.

Step 3: Click **Add > Insert**.

The Add Access Rule dialog box appears.

Step 4: In the **Interface** list, choose the interface. (Example: Any)

Step 5: For the **Action** option, select the action. (Example: Permit)

Step 6: In the **Source** box, choose the source. (Example: any4)

Step 7: In the **Destination** box, choose the destination. (Example: dmz-vpn-network)

Step 8: In the **Service** box, enter the service. (Example: udp/4500)

Step 9: In the **Description** box, enter a useful description. (Example: Allow (non500-ISAKMP) traffic to the DM-VPN hub routers)

Step 10: Select or clear **Enable Logging**. (Example: Selected)

Step 11: In the **Logging Level** list, choose the logging level value, and then click **OK**. (Example: Default)

Step 12: Repeat Step 2 through Step 11 for all rules listed in the above table.

Step 13: After adding all of the rules in the order listed, click **Apply** on the Access Rules pane.

Figure 4 Firewall rules summary

1	<input checked="" type="checkbox"/>	any4	dmz-vpn-network/24	4500	Permit
2	<input checked="" type="checkbox"/>	any4	dmz-vpn-network/24	isakmp	Permit
3	<input checked="" type="checkbox"/>	any4	dmz-vpn-network/24	esp	Permit
4	<input checked="" type="checkbox"/>	any4	dmz-vpn-network/24	echo	Permit
5	<input checked="" type="checkbox"/>	any4	dmz-vpn-network/24	echo-reply	Permit
6	<input checked="" type="checkbox"/>	any4	dmz-networks	http	Permit

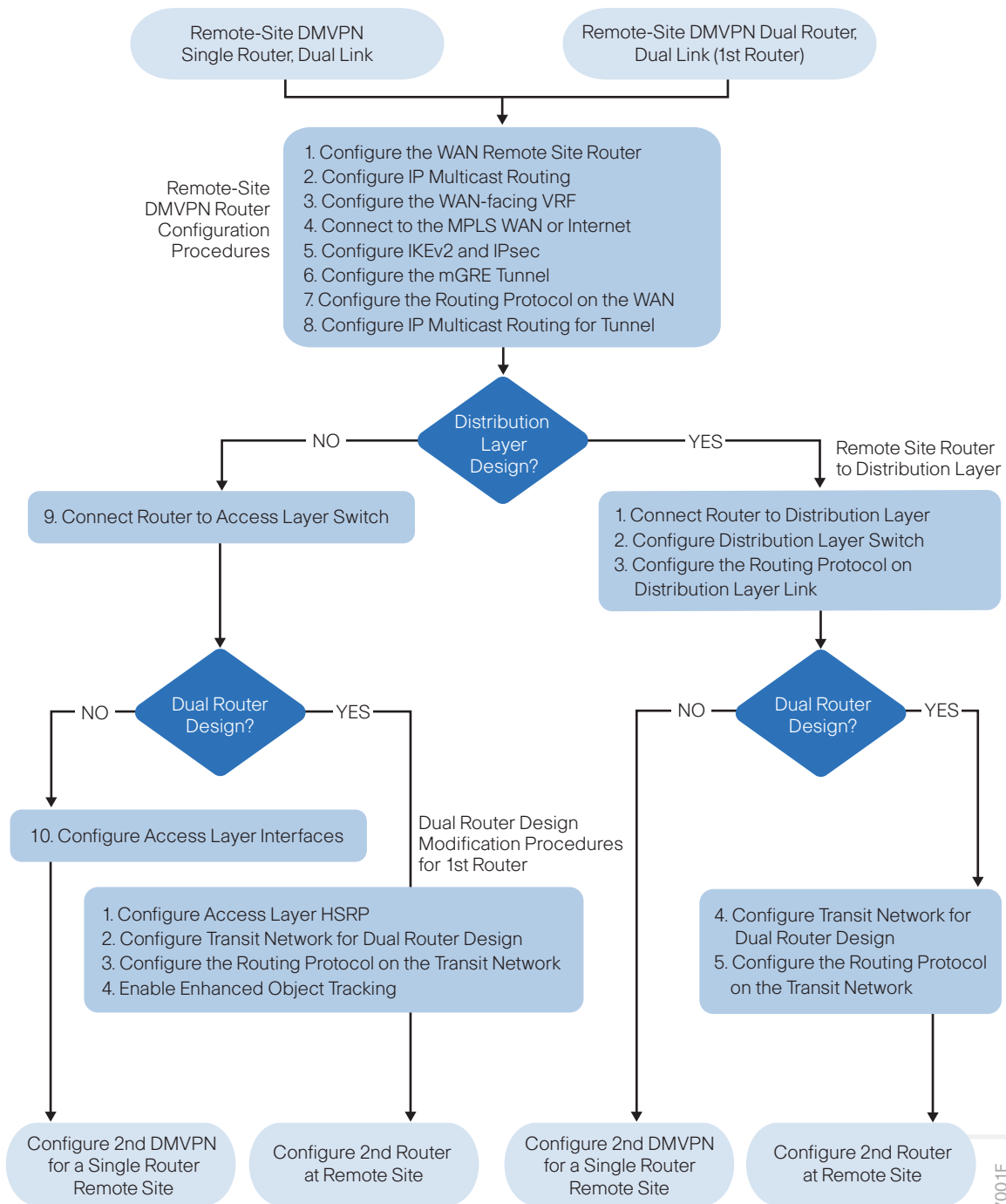
PROCESS**Configuring Remote-Site DMVPN Router**

1. Configure the WAN remote site router
2. Configure IP multicast routing
3. Configure the WAN-facing VRF
4. Connect to the MPLS WAN or Internet
5. Configure IKEv2 and IPsec
6. Configure the mGRE Tunnel
7. Configure the routing protocol on the WAN
8. Configure IP multicast routing on tunnel
9. Connect router to access layer switch
10. Configure access layer interfaces

These procedures describe configuring a single-router, dual-link design. You also use them when configuring the first router of a dual-router, dual-link design.

Refer to the following flowchart to help you navigate through the required procedures for your environment.

Figure 5 Remote-site DMVPN router configuration flowchart



7001F

Procedure 1 Configure the WAN remote site router

Within this design, there are features and services that are common across all WAN remote site routers. These are system settings that simplify and secure the management of the solution.

To complete the base configuration for this router, follow the steps in “Configure the platform base features” in Appendix C.

Step 1: Increase the hold-queue on the loopback interface.

Increase the **hold-queue in** and **hold-queue out** to a queue length of 1024 on the loopback interface to allow the RTP application-table to be properly exported using Flexible Net Flow.

```
interface Loopback0
  hold-queue 1024 in
  hold-queue 1024 out
```

Procedure 2 Configure IP multicast routing

Optional

This optional procedure includes additional steps for configuring IP Multicast on a router. Skip this procedure if you do not want to use IP Multicast in your environment.

In this design, which is based on sparse mode multicast operation, Auto RP is used to provide a simple yet scalable way to provide a highly resilient RP environment.

Step 1: Enable IP Multicast routing on the platform in the global configuration mode.

```
ip multicast-routing
```

Step 2: Every Layer 3 switch and router must be configured to discover the IP Multicast RP with autorp. Use the **ip pim autorp listener** command to allow for discovery across sparse mode links. This configuration provides for future scaling and control of the IP Multicast environment and can change based on network needs and design.

```
ip pim autorp listener
```

Step 3: All Layer 3 interfaces in the network must be enabled for sparse mode multicast operation.

```
ip pim sparse-mode
```

Procedure 3 Configure the WAN-facing VRF

You create a WAN-facing VRF in order to support FVRF for DMVPN. The VRF name is arbitrary, but it is useful to select a name that describes the VRF. The VRF must be enabled for IPv4.

Table 15 VRF assignments

IWAN design model	Primary WAN VRF	Secondary WAN VRF
Hybrid	IWAN-TRANSPORT-1	IWAN-TRANSPORT-2
Dual Internet	IWAN-TRANSPORT-11	IWAN-TRANSPORT-12

This design uses VRF Lite, so the selection is only locally significant to the device. It is a best practice to use the same VRF/RD combination across multiple devices when using VRFs in a similar manner. However, this convention is not strictly required.

Step 1: Configure the primary WAN VRF.

Example: Primary WAN in the IWAN hybrid design model

```
vrf definition IWAN-TRANSPORT-1
  address-family ipv4
```

Procedure 4 Connect to the MPLS WAN or Internet

The remote sites that are using DMVPN can use either static or dynamically assigned IP addresses. Cisco tested the design with static addresses for MPLS connections and DHCP assigned external addresses for Internet connections, which also provides a dynamically configured default route.

If you are using MPLS in this design, the DMVPN spoke router is connected to the service provider's MPLS PE router. The IP addressing used between IWAN CE and MPLS PE routers must be negotiated with your MPLS carrier.

The DMVPN spoke router connects directly to the Internet without a separate firewall. This connection is secured in two ways. Because the Internet interface is in a separate VRF, no traffic can access the global VRF except traffic sourced through the DMVPN tunnel. This design provides implicit security. Additionally, an IP access list permits only the traffic required for an encrypted tunnel, as well as DHCP and various ICMP protocols for troubleshooting.

Option 1: MPLS WAN Physical WAN Interface

The DMVPN design uses FVRF, so you must place this interface into the VRF configured in the previous procedure.

Step 1: Enable the interface, select VRF, and assign the IP address.

Example: Primary WAN in IWAN hybrid design model

```
interface GigabitEthernet0/0
description MPLS1
vrf forwarding IWAN-TRANSPORT-1
ip address 192.168.6.5 255.255.255.252
no shutdown
```

Do not enable PIM on this interface because no multicast traffic should be requested from this interface.

Step 2: Configure the VRF-specific default routing.

The VRF created for FVRF must have its own default route to the Internet. This default route points to the MPLS PE router's IP address and is used by DMVPN for tunnel establishment.

```
ip route vrf IWAN-TRANSPORT-1 0.0.0.0 0.0.0.0 192.168.6.6
```

Option 2: Internet WAN Physical WAN Interface

The DMVPN design uses FVRF, so you must place this interface into the VRF configured in the previous procedure.

Step 1: Enable the interface, select VRF, and enable DHCP.

Example: Primary WAN in the IWAN dual Internet design model

```
interface GigabitEthernet0/0
description INET1
vrf forwarding IWAN-TRANSPORT-11
ip address dhcp
no cdp enable
no shutdown
```

Do not enable PIM on this interface, because no multicast traffic should be requested from this interface.

It is not necessary to create a VRF-specific default route for Internet interfaces. The router will use the default route from the DHCP request to the provider.

Step 2: Configure and apply the access list.

The IP access list must permit the protocols specified in the following table. The access list is applied inbound on the WAN interface, so filtering is done on traffic destined to the router.

Table 16 Required DMVPN protocols

Name	Protocol	Usage
non500-isakmp	UDP 4500	IPsec using NAT-T
isakmp	UDP 500	ISAKMP
esp	IP 50	IPsec
bootpc	UDP 68	DHCP

Example: Primary WAN in the IWAN dual Internet design model

```
interface GigabitEthernet0/0
 ip access-group ACL-INET-PUBLIC in

ip access-list extended ACL-INET-PUBLIC
 permit udp any any eq non500-isakmp
 permit udp any any eq isakmp
 permit esp any any
 permit udp any any eq bootpc
```

The additional protocols listed in the following table may assist in troubleshooting, but are not explicitly required to allow DMVPN to function properly.

Table 17 Optional protocols: DMVPN spoke router

Name	Protocol	Usage
icmp echo	ICMP Type 0, Code 0	Allow remote pings
icmp echo-reply	ICMP Type 8, Code 0	Allow ping replies (from your requests)
icmp ttl-exceeded	ICMP Type 11, Code 0	Allow traceroute replies (from your requests)
icmp port-unreachable	ICMP Type 3, Code 3	Allow traceroute replies (from your requests)
UDP high ports	UDP > 1023, TTL=1	Allow remote traceroute

The additional optional entries for an access list to support ping are as follows:

```
permit icmp any any echo
permit icmp any any echo-reply
```

The additional optional entries for an access list to support traceroute are as follows:

```

permit icmp any any ttl-exceeded      ! for traceroute (sourced)
permit icmp any any port-unreachable  ! for traceroute (sourced)
permit udp any any gt 1023 ttl eq 1   ! for traceroute (destination)

```

Procedure 5 Configure IKEv2 and IPsec

The crypto configurations have been simplified in this version of the guide in order to minimize the number of variations from previous guides.

To complete the IKEv2 and IPsec configuration for this router, follow the steps in “Configure IKEv2 and IPsec for a remote site router” in Appendix C.

Procedure 6 Configure the mGRE Tunnel

The parameters in the table below are used in this procedure. Choose the rows that represent the design model that you are configuring. This procedure applies to the Primary WAN remote site router in the IWAN hybrid design model.

Table 18 DMVPN tunnel parameters

Design model	Tunnel VRF	Tunnel number	Tunnel network	NHRP network ID/ tunnel key
Hybrid–Primary WAN	IWAN-TRANSPORT-1	10	10.6.34.0/23	101
Hybrid–Secondary WAN	IWAN-TRANSPORT-2	11	10.6.36.0/23	102
Dual Internet–Primary WAN	IWAN-TRANSPORT-11	20	10.6.64.0/23	201
Dual Internet–Secondary WAN	IWAN-TRANSPORT-12	21	10.6.66.0/23	202

Step 1: Configure basic interface settings.

The tunnel number is arbitrary, but it is best to begin tunnel numbering at 10 or above, because other features deployed in this design may also require tunnels and they may select lower numbers by default.

You must set the bandwidth to match the bandwidth of the respective transport that corresponds to the actual interface speed. Or, if you are using a substrate service, use the policed rate from the carrier. QoS and PfR require the correct bandwidth setting in order to operate properly.

Configure the **ip mtu** to 1400 and the **ip tcp adjust-mss** to 1360. There is a 40 byte difference, which corresponds to the combined IP and TCP header length.

```
interface Tunnel10
  description MPLS1
  bandwidth 200000
  ip address 10.6.34.11 255.255.254.0
  no ip redirects
  ip mtu 1400
  ip tcp adjust-mss 1360
```

Step 2: Configure the tunnel.

DMVPN uses mGRE tunnels. This type of tunnel requires a source interface only. The source interface should be the same interface used in to connect to the MPLS or Internet. Set the **tunnel vrf** command to the VRF defined previously for FVRF.

Enabling encryption on this interface requires the application of the IPsec profile configured in the previous procedure.

```
interface Tunnel10
  tunnel source GigabitEthernet0/0
  tunnel mode gre multipoint
  tunnel key 101
  tunnel vrf IWAN-TRANSPORT-1
  tunnel protection ipsec profile DMVPN-IPSEC-PROFILE
```

Step 3: Configure NHRP.

The DMVPN hub router is the NHRP server for all of the spokes. Remote routers use NHRP in order to determine the tunnel destinations for peers attached to the mGRE tunnel.

The spoke router requires an additional configuration statement in order to define the NHRP server. This statement includes the NBMA definition for the DMVPN hub router tunnel endpoint. Spoke routers require the NHRP multicast keyword in this statement.

When hub BRs are added for horizontal scaling or a second data center is added as a transit site, spoke routers require additional NHS statements for each BR in their environment. The configuration details are covered in subsequent sections of this guide.

The value used for the next hop server (NHS) is the mGRE tunnel address for the DMVPN hub router. The NBMA entry must be set to either the MPLS DMVPN hub router's actual public address or the outside NAT value of the DMVPN hub, as configured on the Cisco ASA 5500. This design uses the values shown in the following tables.

Table 19 DMVPN tunnel NHRP parameters: IWAN hybrid design model

	Transport 1	Transport 2
VRF	IWAN-TRANSPORT-1	IWAN-TRANSPORT-2
DMVPN hub public address (actual)	192.168.6.1	192.168.146.10
DMVPN hub public address (externally routable after NAT)	n/a (MPLS1)	172.16.140.1
DMVPN hub tunnel IP address (NHS)	10.6.34.1	10.6.36.1
Tunnel number	10	11
NHRP network ID	101	102

Table 20 DMVPN tunnel NHRP parameters: IWAN dual Internet design model

	Transport 11	Transport 12
VRF	IWAN-TRANSPORT-11	IWAN-TRANSPORT-12
DMVPN hub public address (actual)	192.168.146.20	192.168.146.21
DMVPN hub public address (externally routable after NAT)	172.16.140.11	172.17.140.11
DMVPN hub tunnel IP address (NHS)	10.6.64.1	10.6.66.1
Tunnel number	20	21
NHRP network ID	201	202

NHRP requires all devices within a DMVPN cloud to use the same network ID and authentication key. The NHRP cache holdtime should be configured to 600 seconds.

This design supports DMVPN spoke routers that receive their external IP addresses through DHCP. It is possible for these routers to acquire different IP addresses after a reload. When the router attempts to register with the NHRP server, it may appear as a duplicate to an entry already in the cache and be rejected. The **registration no-unique** option allows you to overwrite existing cache entries. This feature is only required on NHRP clients (DMVPN spoke routers). The **if-state nhrp** option ties the tunnel line-protocol state to the reachability of the NHRP NHS, and if the NHS is unreachable, the tunnel line-protocol state changes to down. This feature is used in conjunction with EOT.

```
interface Tunnel10
 ip nhrp authentication cisco123
 ip nhrp network-id 101
 ip nhrp holdtime 600
 ip nhrp nhs 10.6.34.1 nbma 192.168.6.1 multicast
 ip nhrp registration no-unique
 ip nhrp shortcut
 if-state nhrp
```

By default, NHRP will not install shortcuts for paths not seen in the Routing Information Base (RIB) of the router. In a location with a single router and multiple WAN transports, only the preferred path is in the RIB. If you have a remote site location with more than one WAN transport, you need to disable the **nhrp route-watch** feature on each of the tunnel interfaces in order to allow NHRP to install the non-preferred shortcut path and allow PfR to maintain this information.

```
interface Tunnel10
  no nhrp route-watch
```

Procedure 7 Configure the routing protocol on the WAN

If you are planning to use EIGRP, choose option 1. If you are planning to use BGP on the WAN and OSPF on the LAN, choose option 2.

Option 1: EIGRP on the WAN

The following table shows the DMVPN tunnel names and EIGRP WAN delay in use.

Table 21 EIGRP WAN delay for IWAN hybrid remote-site routers

DMVPN Tunnel	EIGRP WAN Delay (10 usec)
Tunnel10	1000 (MPLS1)
Tunnel11	20000 (INET1)

Table 22 EIGRP WAN delay for IWAN dual Internet remote-site routers

DMVPN tunnel	EIGRP WAN Delay (10 usec)
Tunnel20	1000 (INET1)
Tunnel21	20000 (INET2)

A single EIGRP process runs on the DMVPN spoke router. All interfaces on the router are EIGRP interfaces, but only the DMVPN tunnel interface is non-passive. The network range must include all interface IP addresses either in a single network statement or in multiple network statements. This design uses a best practice of assigning the router ID to a loopback address. All DMVPN spoke routers should run EIGRP stub-site routing to improve network stability and reduce resource utilization. It is a best practice use the EIGRP AS number and remote site id in the form of AS:NN for the stub-site command.

Step 1: Configure an EIGRP process for DMVPN using EIGRP named mode on the spoke router.

```
router eigrp IWAN-EIGRP
  address-family ipv4 unicast autonomous-system 400
  af-interface default
  passive-interface
  exit-af-interface
  af-interface Tunnel10
  no passive-interface
  exit-af-interface
  network 10.6.34.0 0.0.1.255
  network 10.7.0.0 0.0.255.255
  network 10.255.0.0 0.0.255.255
  eigrp router-id 10.255.241.11
  eigrp stub-site 400:11
  exit-address-family
```

Step 2: Configure EIGRP values for the mGRE tunnel interface.

The EIGRP hello interval is increased to 20 seconds and the EIGRP hold time is increased to 60 seconds in order to accommodate up to 2000 remote sites on a single DMVPN cloud. Increasing the EIGRP timers also slows down the routing convergence in order to improve network stability and the IWAN design allows PfR to initiate the fast failover, so changing the timers is recommended for all IWAN deployments.

```
router eigrp IWAN-EIGRP
  address-family ipv4 unicast autonomous-system 400
  af-interface Tunnel10
  hello-interval 20
  hold-time 60
  exit-af-interface
  exit-address-family
```

Step 3: Configure EIGRP neighbor authentication. Neighbor authentication enables the secure establishment of peering adjacencies and exchange route tables over the DMVPN tunnel interface.

```
key chain WAN-KEY
  key 1
    key-string cisco123

router eigrp IWAN-EIGRP
  address-family ipv4 unicast autonomous-system 400
  af-interface Tunnel10
    authentication mode md5
    authentication key-chain WAN-KEY
  exit-af-interface
exit-address-family
```

Step 4: Configure EIGRP network summarization.

The remote-site LAN networks must be advertised. The IP assignment for the remote sites was designed so that all of the networks in use can be summarized within a single aggregate route. As configured below, the **summary-address** command suppresses the more specific routes. If any network within the summary is present in the route table, the summary is advertised to the DMVPN hub, which offers a measure of resiliency. If the various LAN networks cannot be summarized, then EIGRP continues to advertise the specific routes.

```
router eigrp IWAN-EIGRP
  address-family ipv4 unicast autonomous-system 400
  af-interface Tunnel10
    summary-address 10.7.0.0 255.255.248.0
  exit-af-interface
exit-address-family
```

Step 5: Configure the throughput delay on the tunnel interface.

The tunnel interface throughput delay setting should be set to influence the routing protocol path preference. Set the primary WAN path to 10000 usec and the secondary WAN path to 200000 usec to prefer one over the other. The delay command is entered in 10 usec units.

```
interface Tunnel10
  delay 1000
```

Step 6: Add stub-site wan-interface.

With EIGRP stub-site, route tagging and blocking is no longer needed at the remote sites. You add one command to each af-interface tunnel in order to identify it as the stub-site wan-interface.

```
router eigrp IWAN-EIGRP
  address-family ipv4 unicast autonomous-system 400
  af-interface Tunnel10
    stub-site wan-interface
  exit-af-interface
exit-address-family
```

Step 7: Proceed to Procedure 8 “Configure IP multicast routing.”

Option 2: BGP on the WAN

Step 1: Configure BGP values for the mGRE tunnel interface.

Use a private AS number for the BGP process. Assign this router’s loopback address as the BGP router-id. Log the neighbor changes. For internal BPG, use the same AS number for the remote sites. Use the tunnel interface as the update source. Adjust the BGP hello and hold timers to 20 seconds and 60 seconds, respectively. Peer to the hub border router.

```
router bgp 65100
  bgp router-id 10.255.241.11
  bgp log-neighbor-changes
  neighbor MPLS1-HUB peer-group
  neighbor MPLS1-HUB remote-as 65100
  neighbor MPLS1-HUB description To IWAN MPLS1 Hub Router
  neighbor MPLS1-HUB update-source Tunnel10
  neighbor MPLS1-HUB timers 20 60
  neighbor 10.6.34.1 peer-group MPLS1-HUB
```


Step 2: Configure the BGP address family.

Advertise an aggregate address for the site-specific super-net prefix and redistribute connected routes into BGP. Send the community string, set next-hop-self, set the weight to 50000, and turn on soft reconfiguration inbound. Activate the BGP connection to the DMVPN hub border router and set the BGP distance.

```
router bgp 65100
  address-family ipv4
    aggregate-address 10.7.0.0 255.255.248.0 summary-only
    redistribute connected
    neighbor MPLS1-HUB send-community
    neighbor MPLS1-HUB next-hop-self all
    neighbor MPLS1-HUB weight 50000
    neighbor MPLS1-HUB soft-reconfiguration inbound
    neighbor 10.6.34.1 activate
    distance bgp 201 19 200
  exit-address-family
```

Step 3: Create the prefix lists for BGP.

Define the prefix-lists for the loopback ip address and the site-specific prefixes.

```
ip prefix-list LOCAL-LOOPBACKS seq 10 permit 10.255.241.11/32
ip prefix-list LOCAL-SUBNETS seq 10 permit 10.7.0.0/21
```

Step 4: Create and apply the prefix route maps for BGP.

Define the route map to allow prefixes to go out on the tunnel interface. Set the local preference and the community string for this DMVPN hub router. Apply the route map to the BGP address family for the hub border router.

```
route-map SPOKE-OUT permit 10
  description Match the local networks
  match ip address prefix-list LOCAL-LOOPBACKS LOCAL-NETS

router bgp 65100
  address-family ipv4
    neighbor MPLS1-HUB route-map SPOKE-OUT out
```

Procedure 8 Configure IP multicast routing on tunnel**Optional**

This optional procedure includes additional steps for configuring IP Multicast for a DMVPN tunnel on a router with IP Multicast already enabled. Skip this procedure if you do not want to use IP Multicast in your environment.

Step 1: Configure PIM on the DMVPN tunnel interface.

Enable IP PIM sparse mode on the DMVPN tunnel interface.

```
interface Tunnel10
 ip pim sparse-mode
```

Step 2: Configure the DR priority for the DMVPN spoke router.

Proper multicast operation across a DMVPN cloud requires that the hub router assumes the role of PIM designated router (DR). Spoke routers should never become the DR. You can prevent that by setting the DR priority to 0 for the spokes.

```
interface Tunnel10
 ip pim dr-priority 0
```

Procedure 9 Connect router to access layer switch**Optional**

If you are using a remote-site distribution layer, skip to the “Deploying an IWAN Remote-Site Distribution Layer” section of this guide.

Reader Tip

This guide includes only the steps needed in order to complete the access layer configuration. For complete access layer configuration details, refer to the [Campus LAN Layer 2 Access with Simplified Distribution Deployment Guide](#).

Layer 2 EtherChannels are used to interconnect the CE router to the access layer in the most resilient method possible. If your access layer device is a single fixed configuration switch, a simple Layer 2 trunk between the router and switch is used.

In the access layer design, the remote sites use collapsed routing, with 802.1Q trunk interfaces to the LAN access layer. The VLAN numbering is locally significant only.

Option 1: Layer 2 EtherChannel from router to access layer switch

Step 1: Configure port-channel interface on the router.

```
interface Port-channel1
  description RS12-A2960X
  no shutdown
```

Step 2: Configure EtherChannel member interfaces on the router.

Configure the physical interfaces to tie to the logical port-channel using the channel-group command. The number for the port-channel and channel-group must match. Not all router platforms can support LACP to negotiate with the switch, so EtherChannel is configured statically.

```
interface GigabitEthernet0/1
  description RS12-A2960X Gig1/0/47

interface GigabitEthernet0/2
  description RS12-A2960X Gig2/0/47

interface range GigabitEthernet0/1, GigabitEthernet0/2
  no ip address
  channel-group 1
  no shutdown
```

Step 3: Configure EtherChannel member interfaces on the access layer switch.

Connect the router EtherChannel uplinks to separate switches in the access layer switch stack.

The physical interfaces that are members of a Layer 2 EtherChannel are configured prior to configuring the logical port-channel interface. Doing the configuration in this order allows for minimal configuration and reduces errors because most of the commands entered to a port-channel interface are copied to its members interfaces and do not require manual replication.

Configure two physical interfaces to be members of the EtherChannel. Also, apply the egress QoS macro that was defined in the LAN switch platform configuration procedure to ensure traffic is prioritized appropriately.

Not all connected router platforms can support LACP to negotiate with the switch, so EtherChannel is configured statically.

```
interface GigabitEthernet1/0/47
  description RS12-2911-1 Gig0/1

interface GigabitEthernet2/0/47
  description RS12-2911-1 Gig0/2

interface range GigabitEthernet1/0/24, GigabitEthernet2/0/24
  switchport
  macro apply EgressQoS
  channel-group 1 mode on
  logging event link-status
  logging event trunk-status
  logging event bundle-status
```

Step 4: Configure EtherChannel trunk on the access layer switch.

An 802.1Q trunk is used, which allows the router to provide the Layer 3 services to all the VLANs defined on the access layer switch. The VLANs allowed on the trunk are pruned to only the VLANs that are active on the access layer switch. When using EtherChannel the interface type will be port-channel and the number must match the channel group configured in the previous step. DHCP Snooping and address resolution protocol (ARP) inspection are set to trust.

```
interface Port-channel1
  description RS12-2911-1
  switchport trunk allowed vlan 64,69
  switchport mode trunk
  ip arp inspection trust
  spanning-tree portfast trunk
  ip dhcp snooping trust
  load-interval 30
  no shutdown
```

The Cisco Catalyst 3750 Series Switch requires the **switchport trunk encapsulation dot1q** command.

Option 2: Layer 2 trunk from router to access layer switch

Step 1: Enable the physical interface on the router.

```
interface GigabitEthernet0/2
  description RS11-A2960X Gig1/0/48
  no ip address
  no shutdown
```

Step 2: Configure the trunk on the access layer switch.

Use an 802.1Q trunk for the connection, which allows the router to provide the Layer 3 services to all the VLANs defined on the access layer switch. The VLANs allowed on the trunk are pruned to only the VLANs that are active on the access switch. DHCP Snooping and ARP inspection are set to trust.

```
interface GigabitEthernet1/0/48
  description RS11-2921 Gig0/2
  switchport trunk allowed vlan 64,69
  switchport mode trunk
  ip arp inspection trust
  spanning-tree portfast trunk
  logging event link-status
  logging event trunk-status
  ip dhcp snooping trust
  load-interval 30
  no shutdown
  macro apply EgressQoS
```

The Cisco Catalyst 3750 Series Switch requires the `switchport trunk encapsulation dot1q` command.

Procedure 10 Configure access layer interfaces**Optional**

If you are using a dual router design, skip to the “Modifying the First Router for Dual Router Design” section of this guide.

Step 1: Create subinterfaces and assign VLAN tags.

After the physical interface or port-channel has been enabled, then the appropriate data or voice subinterfaces can be mapped to the VLANs on the LAN switch. The subinterface number does not need to equate to the 802.1Q tag, but making them the same simplifies the overall configuration. The subinterface portion of the configuration should be repeated for all data or voice VLANs.

```
interface [type] [number] . [sub-interface number]
    encapsulation dot1q [dot1q VLAN tag]
```

Step 2: Configure IP settings for each subinterface.

This design uses an IP addressing convention with the default gateway router assigned an IP address and IP mask combination of **N.N.N.1 255.255.255.0** where N.N.N is the IP network and 1 is the IP host.

When you are using a centralized DHCP server, your routers with LAN interfaces connected to a LAN using DHCP for end-station IP addressing must use an IP helper.

If the remote-site router is the first router of a dual-router design, then HSRP is configured at the access layer. This requires a modified IP configuration on each subinterface.

```
interface [type] [number] . [sub-interface number]
    ip address [LAN network 1] [LAN network 1 netmask]
    ip helper-address 10.4.48.10
    ip pim sparse-mode
```

Example: Layer 2 port-channel

```
interface Port-channel1
  no ip address
  no shutdown

interface Port-channel1.64
  description Data
  encapsulation dot1Q 64
  ip address 10.7.18.1 255.255.255.0
  ip helper-address 10.4.48.10
  ip pim sparse-mode

interface Port-channel1.69
  description Voice
  encapsulation dot1Q 69
  ip address 10.7.19.1 255.255.255.0
  ip helper-address 10.4.48.10
  ip pim sparse-mode
```

Example: Layer 2 Gigabit Ethernet

```
interface GigabitEthernet0/2
  no ip address
  no shutdown

interface GigabitEthernet0/2.64
  description Data
  encapsulation dot1Q 64
  ip address 10.7.2.1 255.255.255.0
  ip helper-address 10.4.48.10
  ip pim sparse-mode

interface GigabitEthernet0/2.69
  description Voice
  encapsulation dot1Q 69
  ip address 10.7.3.1 255.255.255.0
  ip helper-address 10.4.48.10
  ip pim sparse-mode
```

PROCESS

Adding Second DMVPN for a Single-Router Remote Site

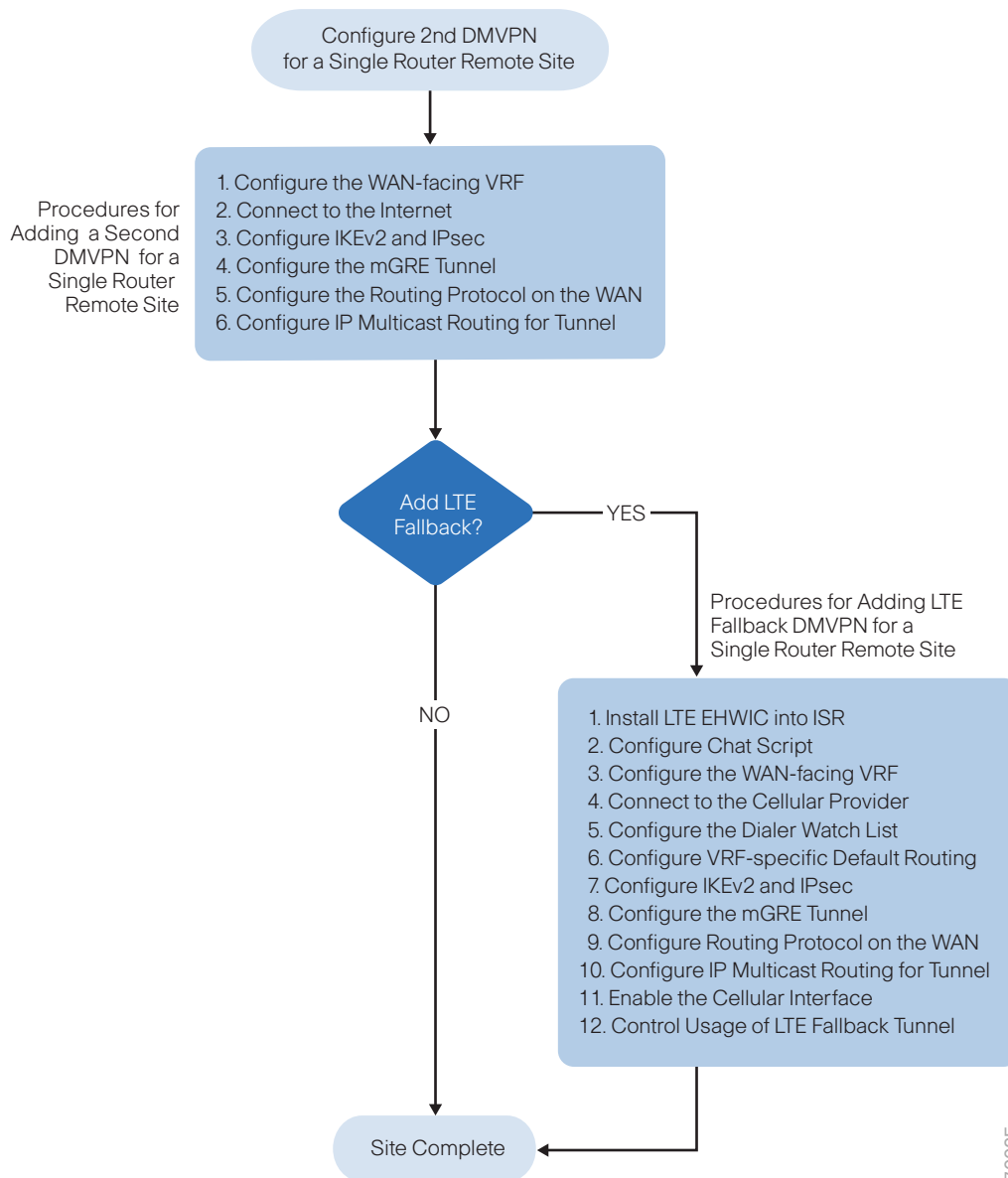
1. Configure the WAN-facing VRF
2. Connect to the Internet
3. Configure the mGRE Tunnel
4. Configure the routing protocol on the WAN
5. Configure IP multicast routing for tunnel

Use this set of procedures for either of the following topologies: single router with a hybrid (MPLS+INET) remote site or a dual Internet (INET+INET) remote site.

This set of procedures includes the additional steps necessary to add a second DMVPN link to a remote-site router that has already been configured with a DMVPN link in the “Configuring Remote-Site DMVPN Router” process in this guide.

The following flowchart details how to add the second DMVPN to an existing remote-site router.

Figure 6 Adding second DMVPN configuration flowchart



Procedure 1 Configure the WAN-facing VRF

You create a WAN-facing VRF in order to support FVRF for DMVPN. The VRF name is arbitrary, but it is useful to select a name that describes the VRF. The VRF must be enabled for IPv4.

Table 23 VRF assignments

IWAN design model	Primary WAN VRF	Secondary WAN VRF
Hybrid	IWAN-TRANSPORT-1	IWAN-TRANSPORT-2
Dual Internet	IWAN-TRANSPORT-11	IWAN-TRANSPORT-12

This design uses VRF Lite, so the selection is only locally significant to the device. It is a best practice to use the same VRF/RD combination across multiple devices when using VRFs in a similar manner. However, this convention is not strictly required.

Step 1: Configure the secondary WAN VRF.

Example: Secondary WAN in the hybrid design model

```
vrf definition IWAN-TRANSPORT-2
  address-family ipv4
```

Procedure 2 Connect to the Internet

The remote sites that are using DMVPN can use either static or dynamically assigned IP addresses. Cisco tested the design with DHCP assigned external addresses for Internet connections, which also provides a dynamically configured default route.

The DMVPN spoke router connects directly to the Internet without a separate firewall. This connection is secured in two ways. Because the Internet interface is in a separate VRF, no traffic can access the global VRF except traffic sourced through the DMVPN tunnel. This design provides implicit security. Additionally, an IP access list permits only the traffic required for an encrypted tunnel, as well as DHCP and various ICMP protocols for troubleshooting.

Step 1: Enable the interface, select VRF and enable DHCP.

The DMVPN design uses FVRF, so you must place this interface into the VRF configured in the previous procedure.

```
interface GigabitEthernet0/1
  ip vrf forwarding IWAN-TRANSPORT-2
  ip address dhcp
  no cdp enable
  no shutdown
```

Step 2: Configure and apply the access list.

The IP access list must permit the protocols specified in the following table. The access list is applied inbound on the WAN interface, so filtering is done on traffic destined to the router.

Table 24 Required DMVPN protocols

Name	Protocol	Usage
non500-isakmp	UDP 4500	IPsec via NAT-T
isakmp	UDP 500	ISAKMP
esp	IP 50	IPsec
bootpc	UDP 68	DHCP

Example

```
interface GigabitEthernet0/1
 ip access-group ACL-INET-PUBLIC in

ip access-list extended ACL-INET-PUBLIC
 permit udp any any eq non500-isakmp
 permit udp any any eq isakmp
 permit esp any any
 permit udp any any eq bootpc
```

The additional protocols listed in the following table may assist in troubleshooting, but are not explicitly required to allow DMVPN to function properly.

Table 25 Optional protocols: DMVPN spoke router

Name	Protocol	Usage
icmp echo	ICMP Type 0, Code 0	Allow remote pings
icmp echo-reply	ICMP Type 8, Code 0	Allow ping replies (from your requests)
icmp ttl-exceeded	ICMP Type 11, Code 0	Allow traceroute replies (from your requests)
icmp port-unreachable	ICMP Type 3, Code 3	Allow traceroute replies (from your requests)
UDP high ports	UDP > 1023, TTL=1	Allow remote traceroute

The additional optional entries for an access list to support ping are as follows:

```
permit icmp any any echo
permit icmp any any echo-reply
```

The additional optional entries for an access list to support traceroute are as follows:

```
permit icmp any any ttl-exceeded      ! for traceroute (sourced)
permit icmp any any port-unreachable ! for traceroute (sourced)
permit udp any any gt 1023 ttl eq 1  ! for traceroute (destination)
```

Procedure 3 Configure the mGRE Tunnel

This procedure uses the parameters in the table below. Choose the rows that represent the design model that you are configuring. This procedure applies to the secondary WAN.

Table 26 DMVPN tunnel parameters

Design model	Tunnel VRF	Tunnel number	Tunnel network	NHRP network ID/ tunnel key
Hybrid–Primary WAN	IWAN-TRANSPORT-1	10	10.6.34.0/23	101
Hybrid–Secondary WAN	IWAN-TRANSPORT-2	11	10.6.36.0/23	102
Dual Internet–Primary WAN	IWAN-TRANSPORT-11	20	10.6.64.0/23	201
Dual Internet–Secondary WAN	IWAN-TRANSPORT-12	21	10.6.66.0/23	202

Step 1: Configure the basic interface settings.

The tunnel number is arbitrary, but it is best to begin tunnel numbering at 10 or above, because other features deployed in this design may also require tunnels and they may select lower numbers by default.

The bandwidth setting must be set to match the bandwidth of the respective transport, which corresponds to the actual interface speed. Or, if you are using a substrate service, use the policed rate from the carrier. QoS and PfR require the correct bandwidth setting in order to operate properly.

Configure the **ip mtu** to 1400 and the **ip tcp adjust-mss** to 1360. There is a 40 byte difference, which corresponds to the combined IP and TCP header length.

```
interface Tunnel11
  description INET1
  bandwidth 50000
  ip address 10.6.36.11 255.255.254.0
  no ip redirects
  ip mtu 1400
  ip tcp adjust-mss 1360
```

Step 2: Configure the tunnel.

DMVPN uses mGRE tunnels. This type of tunnel requires a source interface only. Use the same source interface that you use to connect to the Internet. Set the **tunnel vrf** command to the VRF defined previously for FVRF.

Tech Tip

The crypto configurations have been simplified in this version of the guide in order to minimize the number of variations from previous guides. With the new configurations, it is not necessary to configure IKEv2 and IPsec again. All IKEv2 and IPsec sessions use the same parameters.

Enabling encryption on this interface requires the application of the IPsec profile configured previously.

```
interface Tunnel11
  tunnel source GigabitEthernet0/1
  tunnel mode gre multipoint
  tunnel key 102
  tunnel vrf IWAN-TRANSPORT-2
  tunnel protection ipsec profile DMVPN-IPSEC-PROFILE
```

Step 3: Configure NHRP.

The DMVPN hub router is the NHRP server for all of the spokes. NHRP is used by remote routers to determine the tunnel destinations for peers attached to the mGRE tunnel.

The spoke router requires several additional configuration statements in order to define the NHRP server and NHRP map statements for the DMVPN hub router mGRE tunnel IP address. Spoke routers require the NHRP static multicast mapping.

When hub BRs are added for horizontal scaling or a second data center is added as a transit site, spoke routers require additional NHS statements for each BR in their environment. The configuration details are covered in subsequent sections of this guide.

The value used for the NHS is the mGRE tunnel address for the DMVPN hub router. The map entries must be set to the outside NAT value of the DMVPN hub, as configured on the Cisco ASA 5500. This design uses the values shown in the following tables.

Table 27 DMVPN tunnel NHRP parameters: IWAN hybrid design model

	Transport 1	Transport 2
VRF	IWAN-TRANSPORT-1	IWAN-TRANSPORT-2
DMVPN hub public address (actual)	192.168.6.1	192.168.146.10
DMVPN hub public address (externally routable after NAT)	n/a (MPLS1)	172.16.140.1
DMVPN hub tunnel IP address (NHS)	10.6.34.1	10.6.36.1
Tunnel number	10	11
NHRP network ID	101	102

Table 28 DMVPN tunnel NHRP parameters: IWAN dual Internet design model

	Transport 11	Transport 12
VRF	IWAN-TRANSPORT-11	IWAN-TRANSPORT-12
DMVPN hub public address (actual)	192.168.146.20	192.168.146.21
DMVPN hub public address (externally routable after NAT)	172.16.140.11	172.17.140.11
DMVPN hub tunnel IP address (NHS)	10.6.64.1	10.6.66.1
Tunnel number	20	21
NHRP network ID	201	202

NHRP requires all devices within a DMVPN cloud to use the same network ID and authentication key. The NHRP cache holdtime should be configured to 600 seconds.

This design supports DMVPN spoke routers that receive their external IP addresses through DHCP. It is possible for these routers to acquire different IP addresses after a reload. When the router attempts to register with the NHRP server, it may appear as a duplicate to an entry already in the cache and be rejected. The **registration no-unique** option allows you to overwrite existing cache entries. This feature is only required on NHRP clients (DMVPN spoke routers). The **if-state nhrp** option ties the tunnel line-protocol state to the reachability of the NHRP NHS, and if the NHS is unreachable, the tunnel line-protocol state changes to down. This feature is used in conjunction with EOT.

```
interface Tunnel11
  ip nhrp authentication cisco123
  ip nhrp network-id 102
  ip nhrp holdtime 600
  ip nhrp nhs 10.6.36.1 nbma 172.16.140.1 multicast
  ip nhrp registration no-unique
  ip nhrp shortcut
  if-state nhrp
```

By default, NHRP will not install shortcuts for paths not seen in the RIB of the router. In a location with a single router and multiple WAN transports, only the preferred path is in the RIB. If you have a remote site location with more than one WAN transport, you need to disable the **nhrp route-watch** feature on each of the tunnel interfaces in order to allow NHRP to install the non-preferred shortcut path.

```
interface Tunnel11
  no nhrp route-watch
```

Procedure 4 Configure the routing protocol on the WAN

If you are planning to use EIGRP, choose option 1. If you are planning to use BGP on the WAN and OSPF on the LAN, choose option 2.

Option 1: EIGRP on the WAN

The following table shows the DMVPN tunnel names and EIGRP WAN delay in use.

Table 29 EIGRP WAN delay for IWAN hybrid remote-site routers

DMVPN Tunnel	EIGRP WAN Delay (10 usec)
Tunnel10	1000 (MPLS1)
Tunnel11	20000 (INET1)

Table 30 EIGRP WAN delay for IWAN dual Internet remote-site routers

DMVPN tunnel	EIGRP WAN Delay (10 usec)
Tunnel20	1000 (INET1)
Tunnel21	20000 (INET2)

A single EIGRP process runs on the DMVPN spoke router, which has already been enabled during the first DMVPN tunnel's configuration. All interfaces on the router are EIGRP interfaces, but only the DMVPN tunnel interfaces are non-passive. The network range must include all interface IP addresses either in a single network statement or in multiple network statements.

Step 1: Add the network range for the secondary DMVPN tunnel and configure as non-passive.

```
router eigrp IWAN-EIGRP
  address-family ipv4 unicast autonomous-system 400
    af-interface Tunnel11
      no passive-interface
    exit-af-interface
  network 10.6.36.0 0.0.1.255
exit-address-family
```

Step 2: Configure EIGRP values for the mGRE tunnel interface.

The EIGRP hello interval is increased to 20 seconds and the EIGRP hold time is increased to 60 seconds in order to accommodate up to 2000 remote sites on a single DMVPN cloud. Increasing the EIGRP timers also slows down the routing convergence to improve network stability and the IWAN design allows PfR to initiate the fast failover, so changing the timers is recommended for all IWAN deployments.

```
router eigrp IWAN-EIGRP
  address-family ipv4 unicast autonomous-system 400
    af-interface Tunnel11
      hello-interval 20
      hold-time 60
    exit-af-interface
  exit-address-family
```

Step 3: Configure EIGRP neighbor authentication. Neighbor authentication enables the secure establishment of peering adjacencies and exchange route tables over the DMVPN tunnel interface.

```
key chain WAN-KEY
  key 1
    key-string cisco123

router eigrp IWAN-EIGRP
  address-family ipv4 unicast autonomous-system 400
    af-interface Tunnel11
      authentication mode md5
      authentication key-chain WAN-KEY
    exit-af-interface
  exit-address-family
```


Step 4: Configure EIGRP route summarization.

The remote-site LAN networks must be advertised. The IP assignment for the remote sites was designed so that all of the networks in use can be summarized within a single aggregate route. As configured below, the **summary-address** command suppresses the more specific routes. If any network within the summary is present in the route table, the summary is advertised to the DMVPN hub, which offers a measure of resiliency. If the various LAN networks cannot be summarized, EIGRP continues to advertise the specific routes.

```
router eigrp IWAN-EIGRP
  address-family ipv4 unicast autonomous-system 400
    af-interface Tunnel11
      summary-address 10.7.0.0 255.255.248.0
    exit-af-interface
  exit-address-family
```

Step 5: Configure the throughput delay on the tunnel interface.

The tunnel interface throughput delay setting should be set to influence the routing protocol path preference. Set the primary WAN path to 10000 usec and the secondary WAN path to 200000 usec to prefer one over the other. The delay command is in 10 usec units.

```
interface Tunnel11
  delay 20000
```

Step 6: Add stub-site wan-interface.

With EIGRP stub-site, route tagging and blocking is no longer needed at the remote sites. You add one command to each af-interface tunnel in order to identify it as the stub-site wan-interface.

```
router eigrp IWAN-EIGRP
  address-family ipv4 unicast autonomous-system 400
    af-interface Tunnel11
      stub-site wan-interface
    exit-af-interface
  exit-address-family
```

Step 7: Proceed to Procedure 5, "Configure IP multicast routing."

Option 2: BGP on the WAN

Step 1: Configure BGP values for the mGRE tunnel interface.

A single BGP process runs on the DMVPN spoke router, which has already been enabled during the first DMVPN tunnel's configuration. For internal BGP, use the same AS number for the remote sites. Use the tunnel interface as the update source. Adjust the BGP hello and hold timers to 20 seconds and 60 seconds, respectively. Peer to the hub border router.

```
router bgp 65100
  neighbor INET1-HUB peer-group
  neighbor INET1-HUB remote-as 65100
  neighbor INET1-HUB description To IWAN INET1 Hub Router
  neighbor INET1-HUB update-source Tunnel111
  neighbor INET1-HUB timers 20 60
  neighbor 10.6.36.1 peer-group INET1-HUB
```

Step 2: Configure the BGP address family.

Send the community string, set next-hop-self, set the weight to 50000, and turn on soft reconfiguration inbound. Activate the BGP connection to the DMVPN hub border router.

```
router bgp 65100
  address-family ipv4
    neighbor INET1-HUB send-community
    neighbor INET1-HUB next-hop-self all
    neighbor INET1-HUB weight 50000
    neighbor INET1-HUB soft-reconfiguration inbound
    neighbor 10.6.36.1 activate
  exit-address-family
```

Step 3: Apply the prefix route maps for BGP.

The route map to allow prefixes to go out on the tunnel interface was already defined. Apply the route map to the BGP address family for the hub border router.

```
router bgp 65100
  address-family ipv4
    neighbor INET1-HUB route-map SPOKE-OUT out
```

Procedure 5 Configure IP multicast routing for tunnel**Optional**

This optional procedure includes additional steps for configuring IP Multicast for a DMVPN tunnel on a router with IP Multicast already enabled. Skip this procedure if you do not want to use IP Multicast in your environment.

Step 1: Configure PIM on the DMVPN tunnel interface.

Enable IP PIM sparse mode on the DMVPN tunnel interface.

```
interface Tunnel11
 ip pim sparse-mode
```

Step 2: Configure the DR priority for the DMVPN spoke router.

Proper multicast operation across a DMVPN cloud requires that the hub router assumes the role of PIM DR. Spoke routers should never become the DR. You can prevent that by setting the DR priority to 0 for the spokes.

```
interface Tunnel11
 ip pim dr-priority 0
```

PROCESS**Adding LTE fallback DMVPN for a Single-Router Remote Site**

1. Install LTE EHWIC into ISR
2. Configure chat script
3. Configure the WAN-facing VRF
4. Connect to the cellular provider
5. Configure the dialer watch list
6. Configure VRF-specific default routing
7. Configure the mGRE Tunnel
8. Configure the routing protocol on the WAN
9. Configure IP multicast routing
10. Enable the cellular interface
11. Control usage of LTE fallback tunnel

This set of procedures includes the additional steps necessary to add a third fallback DMVPN link to a remote-site router that has already been configured primary and secondary DMVPN links by using the following processes in this guide:

- “Configuring Remote-Site DMVPN Router”
- “Adding Second DMVPN for a Single-Router Remote Site”

This section includes only the additional procedures for adding the LTE fallback DMVPN to the running remote-site router.

This section is specific to cellular LTE devices used to test this document. There are other Cisco products that share common configuration with the devices mentioned that may have different packages (Cisco Enhanced High-Speed WAN Interface Card [EHWIC] vs. router) and different carriers, such as Verizon, T-Mobile or Sprint. You must get a data service account from your service provider. You should receive a SIM card that you install on the LTE EHWIC, no matter the carrier.

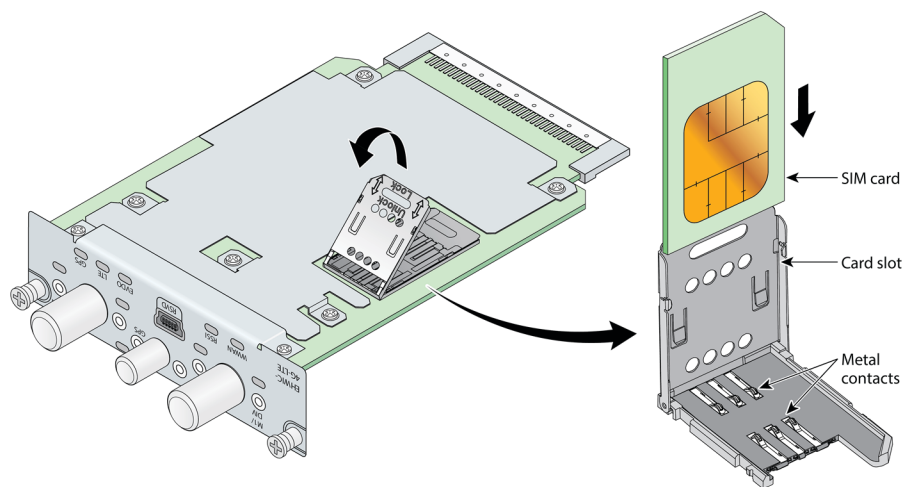
There are vendor specific variations of 4G/LTE HWICs, some with geographically specific firmware. The table below shows the version of the 4G/LTE card validated in this guide and the version of firmware tested. Additional specific geographic and carrier information for the various Cisco cellular WAN access interfaces can be found online at: http://www.cisco.com/c/en/us/products/routers/networking_solutions_products_genericcontent0900aecd-80601f7e.html

Table 31 GSM 4G/LTE specific HWICs

Part number	Modem	Carrier	Firmware version	Firmware date	Remote site
EHWIC-4G-LTE-A	MC7700	AT&T	SWI9200X_03.05.10.02	2012/02/25 11:58:38	RS51

Procedure 1 Install LTE EHWIC into ISR

Figure 7 LTE EHWIC SIM card installation



Step 1: Insert the SIM card into the EHWIC.

Step 2: Power down the Integrated Services G2 router.

Step 3: Insert and fasten the LTE EHWIC into the router.

Step 4: Power up the router, and then begin configuration.

Procedure 2 Configure chat script

Chat scripts are strings of text used to send commands for modem dialing, to log in to remote systems, and to initialize asynchronous devices connected to an asynchronous line. The 4G WAN interface should be treated just like any other asynchronous interface.

The following chat script shows the required information to connect to the Verizon or AT&T LTE network. It uses an LTE-specific dial string and a timeout value of 30 seconds. Note that your carrier may require a different chat script.

Step 1: Create the chat script.

```
chat-script [Script-Name] [Script]
```

Example

```
chat-script LTE "" "AT!CALL1" TIMEOUT 30 "OK"
```

Step 2: Apply the chat script to the asynchronous line.

```
line [Cellular-Interface-Number]
  script dialer [Script-Name]
```

Example

For the interface cellular0/1/0, the matching line would be as follows.

```
line 0/1/0
  script dialer LTE
```

Procedure 3 Configure the WAN-facing VRF

You create a WAN-facing VRF in order to support FVRF for DMVPN. The VRF name is arbitrary, but it is useful to select a name that describes the VRF. The VRF must be enabled for IPv4.

Table 32 VRF assignments

IWAN design model	Primary WAN VRF	Secondary WAN VRF	LTE Fallback VRF
Hybrid	IWAN-TRANSPORT-1	IWAN-TRANSPORT-2	IWAN-TRANSPORT-5
Dual Internet	IWAN-TRANSPORT-11	IWAN-TRANSPORT-12	IWAN-TRANSPORT-15

This design uses VRF Lite, so the selection is only locally significant to the device. It is a best practice to use the same VRF/RD combination across multiple devices when using VRFs in a similar manner. However, this convention is not strictly required.

Step 1: Configure the LTE fallback VRF.

Example: LTE fallback in the IWAN hybrid design model

```
vrf definition IWAN-TRANSPORT-5
  address-family ipv4
```

Procedure 4 Connect to the cellular provider

You add the cellular interface to a dialer watch group and to the VRF. You set the bandwidth value to match the minimum uplink speed of the chosen technology, as shown in the following table. Configure the interface as administratively down until the rest of the configuration steps are complete.

Table 33 4G encapsulation and bandwidth parameters

Cellular keyword	Encapsulation	Cellular script name (created previously)	Downlink speed (Kbps)	Uplink speed (Kbps)
LTE	Direct IP (SLIP)	LTE	8000 to 12,000 (range)	2000 to 5000 (range)

Tech Tip

LTE cellular interfaces use Direct IP encapsulation. When configuring Direct IP encapsulation, use the serial line Internet protocol (SLIP) keyword.

Step 1: Configure the cellular interface.

```
interface Cellular [Interface-Number]
  bandwidth [outbound bandwidth (Kbps)]
  vrf forwarding IWAN-TRANSPORT-5
  ip address negotiated
  no ip unreachable
  ip virtual-reassembly in
  encapsulation [encapsulation type]
  dialer in-band
  dialer idle-timeout 0
  dialer string [Chat Script Name]
  dialer watch-group 1
  no peer default ip address
  async mode interactive
  shutdown
```

Example: LTE bandwidth and encapsulation

```

interface Cellular0/1/0
  description INET4G
  bandwidth 2000
  ip vrf forwarding IWAN-TRANSPORT-5
  ip address negotiated
  no ip unreachable
  ip virtual-reassembly in
  encapsulation slip
  dialer in-band
  dialer idle-timeout 0
  dialer string LTE
  dialer watch-group 1
  no peer default ip address
  async mode interactive
  shutdown

```

Step 2: Configure and apply the access list.

The IP access list must permit the protocols specified in the following table. The access list is applied inbound on the WAN interface, so filtering is done on traffic destined to the router.

Table 34 Required DMVPN protocols

Name	Protocol	Usage
non500-isakmp	UDP 4500	IPsec via NAT-T
isakmp	UDP 500	ISAKMP
esp	IP 50	IPsec

```

interface Cellular0/1/0
  ip access-group ACL-INET-PUBLIC-4G in

ip access-list extended ACL-INET-PUBLIC-4G
  permit udp any any eq non500-isakmp
  permit udp any any eq isakmp
  permit esp any any
  permit udp any any eq bootpc

```

The additional protocols listed in the following table may assist in troubleshooting but are not explicitly required to allow DMVPN to function properly.

Table 35 *Optional protocols: DMVPN spoke router*

Name	Protocol	Usage
icmp echo	ICMP Type 0, Code 0	Allow remote pings
icmp echo-reply	ICMP Type 8, Code 0	Allow ping replies (from your requests)
icmp ttl-exceeded	ICMP Type 11, Code 0	Allow traceroute replies (from your requests)
icmp port-unreachable	ICMP Type 3, Code 3	Allow traceroute replies (from your requests)
UDP high ports	UDP > 1023, TTL=1	Allow remote traceroute

The additional optional entries for an access list to support ping are as follows:

```
permit icmp any any echo
permit icmp any any echo-reply
```

The additional optional entries for an access list to support traceroute are as follows:

```
permit icmp any any ttl-exceeded      ! for traceroute (sourced)
permit icmp any any port-unreachable  ! for traceroute (sourced)
permit udp any any gt 1023 ttl eq 1   ! for traceroute (destination)
```

Procedure 5 Configure the dialer watch list

The *dialer watch-list* is a construct that allows the activation of the dialer script and associated cellular interface when the specified route no longer exists in the routing table. In this procedure, the dialer-watch list activates the cellular interface when the specified phantom route is missing from the routing table.

This design uses the IANA-specified loopback address of 127.0.0.255, which should never appear in the routing table under normal circumstances. The absence of this route in the routing table causes the cellular interface to become active and stay active until the interface is brought down.

Step 1: Assign a phantom route to the **dialer watch-list**. Use the same value as the **dialer watch-group** in the previous procedure.

```
dialer watch-list 1 ip 127.0.0.255 255.255.255.255
dialer watch-list 1 delay route-check initial 60
dialer watch-list 1 delay connect 1
```


Procedure 6 Configure VRF-specific default routing

The remote sites using 3G or 4G DMVPN use negotiated IP addresses for the cellular interfaces. Unlike DHCP, the negotiation does not automatically set a default route. This step must be completed manually.

Step 1: Configure a VRF-specific default route for the cellular interface.

```
ip route vrf IWAN-TRANSPORT-5 0.0.0.0 0.0.0.0 Cellular0/1/0
```

Procedure 7 Configure the mGRE Tunnel

This procedure uses the parameters in the table below. Choose the rows that represent the design model that you are configuring.

Table 36 LTE fallback DMVPN tunnel parameters

Design model	Tunnel VRF	Tunnel number	Tunnel network	NHRP network ID/ tunnel key
Hybrid	IWAN-TRANSPORT-5	14	10.6.44.0/23	105
Dual Internet	IWAN-TRANSPORT-15	24	10.6.74.0/23	205

Step 1: Configure basic interface settings.

The tunnel number is arbitrary, but it is best to begin tunnel numbering at 10 or above, because other features deployed in this design may also require tunnels and they may select lower numbers by default.

The bandwidth setting must be set to match the outbound bandwidth of the respective transport that corresponds to the actual interface speed. Or, if you are using a substrate service, use the policed rate from the carrier. QoS and PfR require the correct bandwidth setting to operate properly.

Configure the **ip mtu** to 1400 and the **ip tcp adjust-mss** to 1360. There is a 40 byte difference, which corresponds to the combined IP and TCP header length.

The tunnel interface throughput delay setting is not needed because this is a tertiary path that will only be used when the other two paths are not available.

```
interface Tunnel14
  description INET4G
  bandwidth 2000
  ip address 10.6.44.51
  no ip redirects
  ip mtu 1400
  ip tcp adjust-mss 1360
```

Step 2: Configure the tunnel.

DMVPN uses mGRE tunnels. This type of tunnel requires a source interface only. Use the same source interface that you use to connect to the Internet. Set the **tunnel vrf** command to the VRF defined previously for FVRF.

Tech Tip

The crypto configurations have been simplified in this version of the guide in order to minimize the number of variations from previous guides. With the new configurations, it is not necessary to configure IKEv2 and IPsec again. All IKEv2 and IPsec sessions use the same parameters.

Enabling encryption on this interface requires the application of the IPsec profile configured previously.

```
interface Tunnel14
  tunnel source Cellular0/1/0
  tunnel mode gre multipoint
  tunnel key 105
  tunnel vrf IWAN-TRANSPORT-5
  tunnel protection ipsec profile DMVPN-IPSEC-PROFILE
```

Step 3: Configure NHRP.

The DMVPN hub router is the NHRP server for all of the spokes. NHRP is used by remote routers to determine the tunnel destinations for peers attached to the mGRE tunnel.

The spoke router requires several additional configuration statements in order to define the NHRP server and NHRP map statements for the DMVPN hub router mGRE tunnel IP address. Spoke routers require the NHRP static multicast mapping.

When hub BRs are added for horizontal scaling or a second data center is added as a transit site, each spoke router will require additional NHS statements for each BR in their environment. The configuration details are covered in subsequent sections of this guide.

The value used for the NHS is the mGRE tunnel address for the DMVPN hub router. The map entries must be set to the outside NAT value of the DMVPN hub, as configured on the Cisco ASA 5500. This design uses the values shown in the following tables.

Table 37 DMVPN tunnel NHRP parameters: IWAN hybrid design model

	LTE fallback
VRF	IWAN-TRANSPORT-5
DMVPN hub public address (actual)	192.168.146.12
DMVPN hub public address (externally routable after NAT)	172.18.140.1
DMVPN hub tunnel IP address (NHS)	10.6.44.1
Tunnel number	14
NHRP network ID	105

Table 38 LTE fallback DMVPN tunnel NHRP parameters: IWAN dual Internet design model

	LTE fallback
VRF	IWAN-TRANSPORT-15
DMVPN hub public address (actual)	192.168.146.25
DMVPN hub public address (externally routable after NAT)	172.18.140.41
DMVPN hub tunnel IP address (NHS)	10.6.74.1
Tunnel number	24
NHRP network ID	205

NHRP requires all devices within a DMVPN cloud to use the same network ID and authentication key. The NHRP cache holdtime should be configured to 600 seconds.

This design supports DMVPN spoke routers that receive their external IP addresses through DHCP. It is possible for these routers to acquire different IP addresses after a reload. When the router attempts to register with the NHRP server, it may appear as a duplicate to an entry already in the cache and be rejected. The **registration no-unique** option allows you to overwrite existing cache entries. This feature is only required on NHRP clients (DMVPN spoke routers). The **if-state nhrp** option ties the tunnel line-protocol state to the reachability of the NHRP NHS, and if the NHS is unreachable, the tunnel line-protocol state changes to down.

```
interface Tunnel14
  ip nhrp authentication cisco123
  ip nhrp network-id 105
  ip nhrp holdtime 600
  ip nhrp nhs 10.6.44.1 nbma 172.18.140.11 multicast
  ip nhrp registration no-unique
  ip nhrp shortcut
  if-state nhrp
```

Procedure 8 Configure the routing protocol on the WAN

If you are planning to use EIGRP, choose option 1. If you are planning to use BGP on the WAN and OSPF on the LAN, choose option 2.

Option 1: EIGRP on the WAN

A single EIGRP process runs on the DMVPN spoke router, which has already been enabled during the configuration of the first DMVPN tunnel. All interfaces on the router are EIGRP interfaces, but only the DMVPN tunnel interfaces are non-passive. The network range must include all interface IP addresses either in a single network statement or in multiple network statements.

Step 1: Add the network range for the LTE Fallback DMVPN tunnel and configure as non-passive.

```
router eigrp IWAN-EIGRP
  address-family ipv4 unicast autonomous-system 400
    af-interface Tunnel14
      no passive-interface
    exit-af-interface
  network 10.6.44.0 0.0.1.255
exit-address-family
```

Step 2: Configure EIGRP values for the mGRE tunnel interface.

The EIGRP hello interval is increased to 20 seconds and the EIGRP hold time is increased to 60 seconds in order to accommodate up to 2000 remote sites on a single DMVPN cloud. Increasing the EIGRP timers also slows down the routing convergence to improve network stability and the IWAN design allows PfR to initiate the fast failover, so changing the timers is recommended for all IWAN deployments.

```
router eigrp IWAN-EIGRP
  address-family ipv4 unicast autonomous-system 400
    af-interface Tunnel14
      hello-interval 20
      hold-time 60
    exit-af-interface
  exit-address-family
```

Step 3: Configure EIGRP neighbor authentication. Neighbor authentication enables the secure establishment of peering adjacencies and exchange route tables over the DMVPN tunnel interface.

```
key chain WAN-KEY
  key 1
    key-string c1sco123

router eigrp IWAN-EIGRP
  address-family ipv4 unicast autonomous-system 400
    af-interface Tunnel14
      authentication mode md5
      authentication key-chain WAN-KEY
    exit-af-interface
  exit-address-family
```

Step 4: Configure EIGRP route summarization.

The remote-site LAN networks must be advertised. The IP assignment for the remote sites was designed so that all of the networks in use can be summarized within a single aggregate route. The summary address as configured below suppresses the more specific routes. If any network within the summary is present in the route table, the summary is advertised to the DMVPN hub, which offers a measure of resiliency. If the various LAN networks cannot be summarized, EIGRP continues to advertise the specific routes.

```
router eigrp IWAN-EIGRP
  address-family ipv4 unicast autonomous-system 400
  af-interface Tunnel14
    summary-address 10.7.248.0 255.255.248.0
  exit-af-interface
exit-address-family
```

Option 2: BGP on the WAN**Step 1:** Configure BGP values for the mGRE tunnel interface.

A single BGP process runs on the DMVPN spoke router, which has already been enabled during the first DMVPN tunnel's configuration. For internal BPG, use the same AS number for the remote sites. Use the tunnel interface as the update source. Adjust the BGP hello and hold timers to 20 seconds and 60 seconds, respectively. Peer to the hub border router.

```
router bgp 65100
  neighbor INET4G-HUB peer-group
  neighbor INET4G-HUB remote-as 65100
  neighbor INET4G-HUB description To IWAN INET4G Hub Router
  neighbor INET4G-HUB update-source Tunnel14
  neighbor INET4G-HUB timers 20 60
  neighbor 10.6.44.1 peer-group INET4G-HUB
```

Step 2: Configure the BGP address family.

Send the community string, set next-hop-self, set the weight to 50000, and turn on soft reconfiguration inbound. Activate the BGP connection to the DMVPN hub border router.

```
router bgp 65100
  address-family ipv4
    neighbor INET4G-HUB send-community
    neighbor INET4G-HUB next-hop-self all
    neighbor INET4G-HUB weight 50000
    neighbor INET4G-HUB soft-reconfiguration inbound
    neighbor 10.6.44.1 activate
  exit-address-family
```

Step 3: Apply the prefix route maps for BGP.

The route map to allow prefixes to go out on the tunnel interface was already defined. Apply the route map to the BGP address family for the hub border router.

```
router bgp 65100
  address-family ipv4
    neighbor INET4G-HUB route-map SPOKE-OUT out
```

Procedure 9 Configure IP multicast routing

Optional

This optional procedure includes additional steps for configuring IP Multicast for a DMVPN tunnel on a router with IP Multicast already enabled. Skip this procedure if you do not want to use IP Multicast in your environment.

Step 1: Configure PIM on the DMVPN tunnel interface.

Enable IP PIM sparse mode on the DMVPN tunnel interface.

```
interface Tunnel14
  ip pim sparse-mode
```

Step 2: Configure the DR priority for the DMVPN spoke router.

Proper multicast operation across a DMVPN cloud requires that the hub router assumes the role of PIM DR. Spoke routers should never become the DR. You can prevent that by setting the DR priority to 0 for the spokes.

```
interface Tunnel14
  ip pim dr-priority 0
```

Procedure 10 Enable the cellular interface

The 4G/LTE portion of the router configuration is essentially complete.

Step 1: Enable the cellular interface to bring up the DMVPN tunnel.

```
interface Cellular0/1/0
  no shutdown
```

Procedure 11 Control usage of LTE fallback tunnel

Many 4G/LTE service providers do not offer a mobile data plan with unlimited usage. More typically, you will need to select a usage-based plan with a bandwidth tier that aligns with the business requirements for the remote site. To minimize recurring costs of the 4G/LTE solution, it is a best practice to limit the use of the wireless WAN specifically to a backup-only path.

The remote-site router can use EOT to track the status of the DMVPN hub routers for the primary and secondary links. If both become unreachable, then the router can use the Embedded Event Manager (EEM) to dynamically enable the cellular interface.

Step 1: Configure EOT to track the interface state of primary and secondary tunnels.

This step links the status of each interface to a basic EOT object.

```
track 10 interface Tunnel10 line-protocol
track 11 interface Tunnel11 line-protocol
```

Step 2: Configure composite object tracking.

A track list using Boolean OR is Up if either basic object is Up, and changes state to Down only when both basic objects are Down. This logic permits either the primary or secondary DMVPN tunnel to fail without enabling the LTE fallback tunnel. Both the primary and secondary tunnels must be down before the LTE fallback tunnel is enabled.

A short delay of 20 seconds is added when the primary or secondary tunnels are restored before shutting down the cellular interface.

```
track 20 list boolean or
  object 10
  object 11
  delay up 20
```

Step 3: Configure EEM scripting to enable or disable the cellular interface.

An event-tracking EEM script monitors the state of an object and runs router Cisco IOS commands for that particular state. It is also a best practice to generate syslog messages that provide status information regarding EEM.

```
event manager applet [EEM script name]
  event track [object number] state [tracked object state]
  action [sequence 1] cli command "[command 1]"
  action [sequence 2] cli command "[command 2]"
  action [sequence 3] cli command "[command 3]"
  action [sequence ...] cli command "[command ...]"
  action [sequence N] syslog msg "[syslog message test]"
```

Example: EEM script to enable the cellular interface.

```
event manager applet ACTIVATE-LTE
  event track 20 state down
  action 1 cli command "enable"
  action 2 cli command "configure terminal"
  action 3 cli command "interface cellular0/1/0"
  action 4 cli command "no shutdown"
  action 5 cli command "end"
  action 99 syslog msg "Both tunnels down - Activating 4G interface"
```

Example: EEM script to disable the cellular interface.

```

event manager applet DEACTIVATE-LTE
  event track 20 state up
  action 1 cli command "enable"
  action 2 cli command "configure terminal"
  action 3 cli command "interface cellular0/1/0"
  action 4 cli command "shutdown"
  action 5 cli command "end"
  action 99 syslog msg "Connectivity Restored - Deactivating 4G interface "

```

PROCESS**Modifying the First Router for Dual Router Design**

1. Configure access layer HSRP
2. Configure transit network for dual router design
3. Configure the routing protocol on the transit network
4. Enable enhanced object tracking

This process is required when the first router has already been configured using the “Configuring Remote-Site DMVPN Router” process.

Procedure 1 Configure access layer HSRP

You need to configure HSRP to enable the use of a Virtual IP (VIP) as a default gateway that is shared between two routers. The HSRP active router is the router connected to the primary WAN link and the HSRP standby router is the router connected to the secondary WAN link.

Step 1: Configure the HSRP active router with a standby priority that is higher than the HSRP standby router.

The router with the higher standby priority value is elected as the HSRP active router. The preempt option allows a router with a higher priority to become the HSRP active, without waiting for a scenario where there is no router in the HSRP active state. The following table shows the relevant HSRP parameters for the router configuration.

Table 39 WAN remote-site HSRP parameters (dual router)

Router	HSRP role	VIP	Real IP address	HSRP priority	PIM DR priority
Primary	Active	.1	.2	110	110
Secondary	Standby	.1	.3	105	105

The assigned IP addresses override those configured in the previous procedure, so the default gateway IP address remains consistent across locations with single or dual routers.

The dual-router access-layer design requires a modification for resilient multicast. The PIM DR should be on the HSRP active router. The DR is normally elected based on the highest IP address, and has no awareness of the HSRP configuration. In this design, the HSRP active router has a lower real IP address than the HSRP standby router, which requires a modification to the PIM configuration. The PIM DR election can be influenced by explicitly setting the DR priority on the LAN-facing subinterfaces for the routers.

Tech Tip

The HSRP priority and PIM DR priority are shown in the previous table to be the same value; however you are not required to use identical values.

Step 2: This procedure should be repeated for all data or voice subinterfaces.

```
interface [type][number].[sub-interface number]
  encapsulation dot1Q [dot1q VLAN tag]
  ip address [LAN network 1 address] [LAN network 1 netmask]
  ip helper-address 10.4.48.10
  ip pim sparse-mode
  ip pim dr-priority 110
  standby version 2
  standby 1 ip [LAN network 1 gateway address]
  standby 1 priority 110
  standby 1 preempt
  standby 1 authentication md5 key-string cisco123
```

Example: Layer 2 link

```
interface GigabitEthernet0/2
  no ip address
  no shutdown

interface GigabitEthernet0/2.64
  description Data
  encapsulation dot1Q 64
  ip address 10.7.18.2 255.255.255.0
  ip helper-address 10.4.48.10
  ip pim dr-priority 110
  ip pim sparse-mode
  standby version 2
  standby 1 ip 10.7.18.1
  standby 1 priority 110
  standby 1 preempt
  standby 1 authentication md5 key-string clisco123

interface GigabitEthernet0/2.69
  description Voice
  encapsulation dot1Q 69
  ip address 10.7.19.2 255.255.255.0
  ip helper-address 10.4.48.10
  ip pim dr-priority 110
  ip pim sparse-mode
  standby version 2
  standby 1 ip 10.7.19.1
  standby 1 priority 110
  standby 1 preempt
  standby 1 authentication md5 key-string clisco123
```

Procedure 2 Configure transit network for dual router design

The transit network is configured between the two routers. This network is used for router-router communication and to avoid hair-pinning. The transit network should use an additional subinterface on the router's physical interface that is already being used for data or voice.

Step 1: Configure the transit network between the two routers.

There are no end stations connected to this network, so HSRP and DHCP are not required.

```
interface [type][number].[sub-interface number]
  encapsulation dot1Q [dot1q VLAN tag]
  ip address [transit net address] [transit net netmask]
  ip pim sparse-mode
```

Example

```
interface GigabitEthernet0/2.99
  description Transit Net
  encapsulation dot1Q 99
  ip address 10.7.16.9 255.255.255.252
  ip pim sparse-mode
```

Step 2: Add transit network VLAN to the access layer switch.

If the VLAN does not already exist on the access layer switch, configure it now.

```
vlan 99
  name Transit-net
```

Step 3: Add transit network VLAN to existing access layer switch trunk.

```
interface GigabitEthernet1/0/48
  switchport trunk allowed vlan add 99
```

Procedure 3 Configure the routing protocol on the transit network

If you are planning to use EIGRP, choose option 1. If you are planning to use BGP on the WAN and OSPF on the LAN, choose option 2.

Option 1: EIGRP on the transit network

The following table shows the EIGRP transit network delay in use.

Table 40 EIGRP transit network delay for IWAN remote-site routers

LAN Interface	EIGRP LAN Delay (10 usec)
Transit	24000

A single EIGRP process runs on the DMVPN spoke router, which has already been enabled when configuring the DMVPN tunnel. All interfaces on the router are EIGRP interfaces, but only the DMVPN tunnel interface and transit network are non-passive. The network range must include all interface IP addresses either in a single network statement or in multiple network statements.

Step 1: Configure the transit network subinterface as non-passive.

```
router eigrp IWAN-EIGRP
  address-family ipv4 unicast autonomous-system 400
    af-interface GigabitEthernet0/2.99
      no passive-interface
    exit-af-interface
  exit-address-family
```

Step 2: Configure EIGRP neighbor authentication. Neighbor authentication enables the secure establishment of peering adjacencies and exchange route tables over the transit network interface.

```
key chain LAN-KEY
  key 1
    key-string c1sco123

router eigrp IWAN-EIGRP
  address-family ipv4 unicast autonomous-system 400
    af-interface GigabitEthernet0/2.99
      authentication mode md5
      authentication key-chain LAN-KEY
    exit-af-interface
  exit-address-family
```

Step 3: Configure the throughput delay on the transit network interface.

At a remote site location where there are multiple border routers, the interface throughput delay setting should be set to influence the routing protocol path preference. Set the transit network LAN path to 240000 usec. The delay command is entered in 10 usec units.

```
interface GigabitEthernet0/2.99
  delay 24000
```

Option 2: OSPF on the transit network

A single OSPF process runs on the DMVPN spoke router.

Step 1: Configure OSPF Area 0 by using the network summary address and the loopback interface IP address as the router-id. Turn on default information originate in order to advertise a default route into the OSPF domain.

```
router ospf 100
  router-id 10.255.241.12
  network 10.7.16.0 0.0.7.255 area 0
  network 10.255.241.12 0.0.0.0 area 0
  default-information originate
```

Step 2: Turn on passive-interface as the default and remove it for the transit network LAN interface.

```
router ospf 100
  passive-interface default
  no passive-interface GigabitEthernet0/2.99
```

Step 3: Create a route map to block local subnets from OSPF and tag all the rest of the BGP routes coming into OSPF.

Block the local subnets using the **LOCAL-SUBNETS** prefix list created previously. Tag the rest of the routes from BGP with a value of 1.

```
route-map REDIST-BGP-TO-OSPF deny 10
  description Do not redistribute LOCAL SUBNETS into OSPF
  match ip address prefix-list LOCAL-SUBNETS

route-map REDIST-BGP-TO-OSPF permit 20
  description Identify routes redistributed from BGP
  set tag 1
```

Step 4: Redistribute BGP into OSPF by using the route map from the previous step.

```
router ospf 100
  redistribute bgp 65100 subnets route-map REDIST-BGP-TO-OSPF
```

Step 5: Create a route map to block the routes with a tag value of 1.

Block routes with a tag of 1, but allow all internal, external type 1 and external type 2.

```
route-map REDIST-OSPF-TO-BGP deny 10
  description Block all routes redistributed from BGP
  match tag 1

route-map REDIST-OSPF-TO-BGP permit 20
  description Redistribute all other routes
  match route-type internal
  match route-type external type-1
  match route-type external type-2
```

Step 6: Redistribute OSPF into BGP using the route map from the previous step.

```
router bgp 65100
  address-family ipv4
    redistribute ospf 100 route-map REDIST-OSPF-TO-BGP
  exit-address-family
```

Step 7: Update the prefix list for BGP.

Define an additional prefix-list for the second remote site router's loopback ip address.

```
ip prefix-list LOCAL-LOOPBACKS seq 20 permit 10.255.243.12/32
```

Step 8: Remove redistribute connected, and then add redistribute internal.

The **redistribute connected** command is needed only for single router sites without a distribution layer. When adding a second router to a remote site, remove the **redistribute connected** command and add the **bgp redistribute-internal** command.

```
router bgp 65100
  address-family ipv4
    no redistribute connected
    bgp redistribute-internal
  exit-address-family
```

Example: First router at a dual-router site—RS12-2911-1

```
router ospf 100
  router-id 10.255.241.12
  redistribute bgp 65100 subnets route-map REDIST-BGP-TO-OSPF
  passive-interface default
  no passive-interface GigabitEthernet0/2.99
  network 10.7.16.0 0.0.7.255 area 0
  network 10.255.241.12 0.0.0.0 area 0
  default-information originate

router bgp 65100
  bgp router-id 10.255.241.12
  bgp log-neighbor-changes
  neighbor MPLS1-HUB peer-group
  neighbor MPLS1-HUB remote-as 65100
  neighbor MPLS1-HUB description To IWAN MPLS1 Hub Router
  neighbor MPLS1-HUB update-source Tunnel10
  neighbor MPLS1-HUB timers 20 60
  neighbor 10.6.34.1 peer-group MPLS1-HUB

address-family ipv4
  bgp redistribute-internal
  aggregate-address 10.7.16.0 255.255.248.0 summary-only
  redistribute ospf 100 route-map REDIST-OSPF-TO-BGP
  neighbor MPLS1-HUB send-community
  neighbor MPLS1-HUB next-hop-self all
  neighbor MPLS1-HUB weight 50000
  neighbor MPLS1-HUB soft-reconfiguration inbound
  neighbor MPLS1-HUB route-map SPOKE-OUT out
  neighbor 10.6.34.1 activate
  distance bgp 201 19 200
exit-address-family

ip prefix-list LOCAL-LOOPBACKS seq 10 permit 10.255.241.12/32
ip prefix-list LOCAL-LOOPBACKS seq 20 permit 10.255.243.12/32
```

```
ip prefix-list LOCAL-SUBNETS seq 10 permit 10.7.16.0/21

route-map SPOKE-OUT permit 10
  description Match the local networks
  match ip address prefix-list LOCAL-LOOPBACKS LOCAL-SUBNETS

route-map REDIST-BGP-TO-OSPF deny 10
  description Do not redistribute LOCAL SUBNETS into OSPF
  match ip address prefix-list LOCAL-SUBNETS

route-map REDIST-BGP-TO-OSPF permit 20
  description Identify routes redistributed from BGP
  set tag 1

route-map REDIST-OSPF-TO-BGP deny 10
  description Block all routes redistributed from BGP
  match tag 1

route-map REDIST-OSPF-TO-BGP permit 20
  description Redistribute all other routes
  match route-type internal
  match route-type external type-1
  match route-type external type-2
```

Procedure 4 Enable enhanced object tracking

The HSRP active router remains the active router unless the router is reloaded or fails. Having the HSRP router remain as the active router can lead to undesired behavior. If the primary WAN transport were to fail, the HSRP active router would learn an alternate path through the transit network to the HSRP standby router and begin to forward traffic across the alternate path. This is sub-optimal routing, and you can address it by using EOT.

The HSRP active router can track the state of its DMVPN tunnel interface. If the tunnel line-protocol state changes to down, this implies that the path to the primary site is no longer viable. This is a benefit of using the **if-state nhrp** feature with a DMVPN tunnel configuration.

This procedure is valid only on the router connected to the primary transport.

Step 1: Configure EOT.

A tracked object is created based on tunnel line-protocol state. If the tunnel is up, the tracked object status is Up; if the tunnel is down, the tracked object status is Down. A short delay is added after the tunnel interface comes back up in order to ensure that routing has converged properly before changing the HSRP active router.

```
track 50 interface Tunnel10 line-protocol
delay up 20
```

Step 2: Link HSRP with the tracked object.

All data or voice subinterfaces should enable HSRP tracking.

HSRP can monitor the tracked object status. If the status is down, the HSRP priority is decremented by the configured priority. If the decrease is large enough, the HSRP standby router preempts.

```
interface [interface type] [number].[sub-interface number]
standby 1 track 50 decrement 10
```

Example

```
track 50 interface Tunnel10 line-protocol
delay up 20
```

```
interface GigabitEthernet0/2.64
standby 1 track 50 decrement 10
```

```
interface GigabitEthernet0/2.69
standby 1 track 50 decrement 10
```

PROCESS

Configuring Second DMVPN Router at Remote Site

1. Configure the WAN remote site router
2. Configure IP multicast routing
3. Configure the WAN-facing VRF
4. Connect to the Internet
5. Configure IKEv2 and IPsec
6. Configure the mGRE tunnel
7. Configure the routing protocol on the WAN
8. Configure IP multicast routing for tunnel
9. Connect router to access layer switch
10. Configure access layer interfaces
11. Configure access layer HSRP
12. Configure transit network for dual router design
13. Configure the routing protocol on the transit network

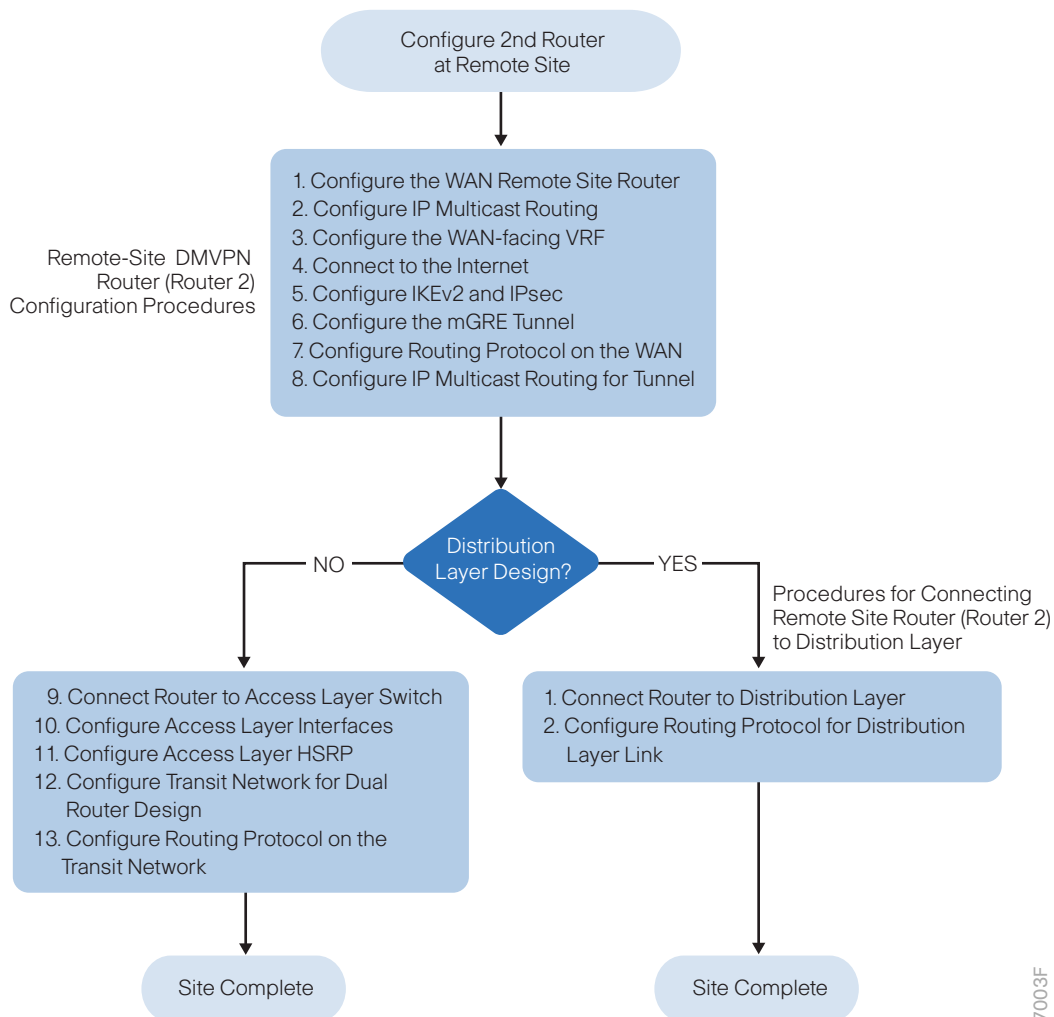
Use these procedures when configuring the second router of a dual-router design for either the hybrid design model or the dual-Internet design model.

This set of procedures includes the additional steps necessary to configure a second router as a DMVPN spoke router when the first router has already been configured with the process “Configuring Remote-Site DMVPN Spoke Router.”

The previous process, “Modifying the First Router for Dual Router Design,” must also be completed.

The following flowchart provides details about how to complete the configuration of a remote-site DMVPN spoke router.

Figure 8 Remote-site DMVPN second router configuration flowchart



7003F

Procedure 1 Configure the WAN remote site router

Within this design, there are features and services that are common across all WAN remote-site routers. These are system settings that simplify and secure the management of the solution.

To complete the base configuration for this router, follow the steps in “Configure the platform base features” in Appendix C.

Procedure 2 Configure IP multicast routing

Optional

This optional procedure includes additional steps for configuring IP Multicast on a router. Skip this procedure if you do not want to use IP Multicast in your environment.

In this design, which is based on sparse mode multicast operation, Auto RP is used to provide a simple yet scalable way to provide a highly resilient RP environment.

Step 1: Enable IP Multicast routing on the platforms in the global configuration mode.

```
ip multicast-routing
```

Step 2: Every Layer 3 switch and router must be configured to discover the IP Multicast RP with autorp. Use the **ip pim autorp listener** command to allow for discovery across sparse mode links. This configuration provides for future scaling and control of the IP Multicast environment and can change based on network needs and design.

```
ip pim autorp listener
```

Step 3: All Layer 3 interfaces in the network must be enabled for sparse mode multicast operation.

```
ip pim sparse-mode
```

Procedure 3 Configure the WAN-facing VRF

A WAN-facing VRF is created to support FVRF for DMVPN. The VRF name is arbitrary, but it is useful to select a name that describes the VRF. The VRF must be enabled for IPv4.

Table 41 VRF assignments

IWAN design model	Primary WAN VRF	Secondary WAN VRF
Hybrid	IWAN-TRANSPORT-1	IWAN-TRANSPORT-2
Dual Internet	IWAN-TRANSPORT-11	IWAN-TRANSPORT-12

This design uses VRF Lite, so the selection is only locally significant to the device. It is a best practice to use the same VRF/RD combination across multiple devices when using VRFs in a similar manner. However, this convention is not strictly required.

Step 1: Configure the secondary WAN VRF.

Example: Secondary WAN in the IWAN hybrid design model

```
vrf definition IWAN-TRANSPORT-2
  address-family ipv4
```

Procedure 4 Connect to the Internet

The remote sites using DMVPN can use either static or dynamically assigned IP addresses. Cisco tested the design with a DHCP assigned external address, which also provides a dynamically configured default route.

The DMVPN spoke router connects directly to the Internet without a separate firewall. This connection is secured in two ways. Because the Internet interface is in a separate VRF, no traffic can access the global VRF except traffic sourced through the DMVPN tunnel. This design provides implicit security. Additionally, an IP access list permits only the traffic required for an encrypted tunnel, as well as DHCP and various ICMP protocols for troubleshooting.

Step 1: Enable the interface, select VRF and enable DHCP.

The DMVPN design uses FVRF, so you must place this interface into the VRF configured in the previous procedure.

```
interface GigabitEthernet0/0
  vrf forwarding IWAN-TRANSPORT-2
  ip address dhcp
  no cdp enable
  no shutdown
```

Do not enable PIM on this interface because no multicast traffic should be requested from this interface.

Step 2: Configure and apply the access list.

The IP access list must permit the protocols specified in the following table. The access list is applied inbound on the WAN interface, so filtering is done on traffic destined to the router.

Table 42 Required DMVPN protocols

Name	Protocol	Usage
non500-isakmp	UDP 4500	IPsec via NAT-T
isakmp	UDP 500	ISAKMP
esp	IP 50	IPsec
bootpc	UDP 68	DHCP

Example

```

interface GigabitEthernet0/0
 ip access-group ACL-INET-PUBLIC in

ip access-list extended ACL-INET-PUBLIC
 permit udp any any eq non500-isakmp
 permit udp any any eq isakmp
 permit esp any any
 permit udp any any eq bootpc

```

The additional protocols listed in the following table may assist in troubleshooting, but are not explicitly required to allow DMVPN to function properly.

Table 43 *Optional protocols: DMVPN spoke router*

Name	Protocol	Usage
icmp echo	ICMP Type 0, Code 0	Allow remote pings
icmp echo-reply	ICMP Type 8, Code 0	Allow ping replies (from your requests)
icmp ttl-exceeded	ICMP Type 11, Code 0	Allow traceroute replies (from your requests)
icmp port-unreachable	ICMP Type 3, Code 3	Allow traceroute replies (from your requests)
UDP high ports	UDP > 1023, TTL=1	Allow remote traceroute

The additional optional entries for an access list to support ping are as follows:

```

 permit icmp any any echo
 permit icmp any any echo-reply

```

The additional optional entries for an access list to support traceroute are as follows:

```

 permit icmp any any ttl-exceeded      ! for traceroute (sourced)
 permit icmp any any port-unreachable ! for traceroute (sourced)
 permit udp any any gt 1023 ttl eq 1   ! for traceroute (destination)

```

Procedure 5 **Configure IKEv2 and IPsec**

The crypto configurations have been simplified in this version of the guide in order to minimize the number of variations from previous guides.

To complete the IKEv2 and IPsec configuration for this router, follow the steps in “Configure IKEv2 and IPsec for a remote site router” in Appendix C.

Procedure 6 Configure the mGRE tunnel

This procedure uses the parameters in the table below. Choose the rows that represent the design model that you are configuring. This procedure applies to the Secondary WAN.

Table 44 DMVPN tunnel parameters

IWAN design model	Tunnel VRF	Tunnel number	Tunnel network	NHRP network ID/ tunnel key
Hybrid–Primary WAN	IWAN-TRANSPORT-1	10	10.6.34.0/23	101
Hybrid–Secondary WAN	IWAN-TRANSPORT-2	11	10.6.36.0/23	102
Dual Internet–Primary WAN	IWAN-TRANSPORT-11	20	10.6.64.0/23	201
Dual Internet–Secondary WAN	IWAN-TRANSPORT-12	21	10.6.66.0/23	202

Step 1: Configure basic interface settings.

The tunnel number is arbitrary, but it is best to begin tunnel numbering at 10 or above, because other features deployed in this design may also require tunnels and they may select lower numbers by default.

You must set the bandwidth setting to match the bandwidth of the respective transport, which corresponds to the actual interface speed. Or, if you are using a substrate service, use the policed rate from the carrier. QoS and PfR require the correct bandwidth setting to operate properly.

Configure the **ip mtu** to 1400 and the **ip tcp adjust-mss** to 1360. There is a 40 byte difference, which corresponds to the combined IP and TCP header length.

```
interface Tunnel11
  description INET1
  bandwidth 30000
  ip address 10.6.36.12 255.255.254.0
  no ip redirects
  ip mtu 1400
  ip tcp adjust-mss 1360
```

Step 2: Configure the tunnel.

DMVPN uses mGRE tunnels. This type of tunnel requires a source interface only. The source interface should be the same interface you use to connect to the Internet. You should set the **tunnel vrf** command to the VRF defined previously for FVRF.

To enable encryption on this interface, you must apply the IPsec profile that you configured in the previous procedure.

```
interface Tunnel11
  tunnel source GigabitEthernet0/0
  tunnel mode gre multipoint
  tunnel key 102
  tunnel vrf IWAN-TRANSPORT-2
  tunnel protection ipsec profile DMVPN-IPSEC-PROFILE
```

Step 3: Configure NHRP.

The spoke router requires an additional configuration statement to define the NHRP server. This statement includes the NBMA definition for the DMVPN hub router tunnel endpoint. Spoke routers require the NHRP multicast keyword in this statement.

When hub BRs are added for horizontal scaling or a second data center is added as a transit site, spoke routers require additional NHS statements for each BR in their environment. The configuration details are covered in subsequent sections of this guide.

The value used for the NHS is the mGRE tunnel address for the DMVPN hub router. The NBMA entry must be set to either the MPLS DMVPN hub router's actual public address or the outside NAT value of the DMVPN hub, as configured on the Cisco ASA 5500. This design uses the values shown in the following tables.

Table 45 DMVPN tunnel NHRP parameters: IWAN hybrid design model

	Transport 1	Transport 2
VRF	IWAN-TRANSPORT-1	IWAN-TRANSPORT-2
DMVPN hub public address (actual)	192.168.6.1	192.168.146.10
DMVPN hub public address (externally routable after NAT)	n/a (MPLS1)	172.16.140.1
DMVPN hub tunnel IP address (NHS)	10.6.34.1	10.6.36.1
Tunnel number	10	11
NHRP network ID	101	102

Table 46 DMVPN tunnel NHRP parameters: IWAN dual Internet design model

	Transport 11	Transport 12
VRF	IWAN-TRANSPORT-11	IWAN-TRANSPORT-12
DMVPN hub public address (actual)	192.168.146.20	192.168.146.21
DMVPN hub public address (externally routable after NAT)	172.16.140.11	172.17.140.11
DMVPN tub tunnel IP address (NHS)	10.6.64.1	10.6.66.1
Tunnel number	20	21
NHRP network ID	201	202

NHRP requires all devices within a DMVPN cloud to use the same network ID and authentication key. The NHRP cache holdtime should be configured to 600 seconds.

This design supports DMVPN spoke routers that receive their external IP addresses through DHCP. It is possible for these routers to acquire different IP addresses after a reload. When the router attempts to register with the NHRP server, it may appear as a duplicate to an entry already in the cache and be rejected. The **registration no-unique** option allows you to overwrite existing cache entries. This feature is only required on NHRP clients (DMVPN spoke routers). The **if-state nhrp** option ties the tunnel line-protocol state to the reachability of the NHRP NHS, and if the NHS is unreachable the tunnel line-protocol state changes to down. This feature is used in conjunction with EOT.

```
interface Tunnel11
  ip nhrp authentication cisco123
  ip nhrp network-id 102
  ip nhrp holdtime 600
  ip nhrp nhs 10.6.36.1 nbma 172.16.140.1 multicast
  ip nhrp registration no-unique
  ip nhrp shortcut
  if-state nhrp
```

It is not necessary to disable nhrp route-watch on the second router of a dual router remote site location because there is only one WAN path in the RIB.

Procedure 7 Configure the routing protocol on the WAN

If you are planning to use EIGRP, choose option 1. If you are planning to use BGP on the WAN and OSPF on the LAN, choose option 2.

Option 1: EIGRP on the WAN

The following table shows the DMVPN tunnel names and EIGRP WAN delay in use.

Table 47 EIGRP WAN delay for IWAN hybrid remote-site routers

DMVPN Tunnel	EIGRP WAN Delay (10 usec)
Tunnel10	1000 (MPLS1)
Tunnel11	20000 (INET1)

Table 48 EIGRP WAN delay for IWAN dual Internet remote-site routers

DMVPN tunnel	EIGRP WAN Delay (10 usec)
Tunnel20	1000 (INET1)
Tunnel21	20000 (INET2)

A single EIGRP process runs on the DMVPN spoke router. All interfaces on the router are EIGRP interfaces, but only the DMVPN tunnel interface is non-passive. The network range must include all interface IP addresses either in a single network statement or in multiple network statements. This design uses a best practice of assigning the router ID to a loopback address. All DMVPN spoke routers should run EIGRP stub-site routing in order to improve network stability and reduce resource utilization. It is a best practice use the EIGRP AS number and remote site id in the form of AS:NN for the stub-site command.

Step 1: Configure an EIGRP process for DMVPN by using EIGRP named mode on the spoke router.

```
router eigrp IWAN-EIGRP
  address-family ipv4 unicast autonomous-system 400
  af-interface default
  passive-interface
  exit-af-interface
  af-interface Tunnel11
  no passive-interface
  exit-af-interface
  network 10.6.36.0 0.0.1.255
  network 10.7.0.0 0.0.255.255
  network 10.255.0.0 0.0.255.255
  eigrp router-id 10.255.243.12
  eigrp stub-site 400:12
  exit-address-family
```

Step 2: Configure EIGRP values for the mGRE tunnel interface.

The EIGRP hello interval is increased to 20 seconds and the EIGRP hold time is increased to 60 seconds in order to accommodate up to 2000 remote sites on a single DMVPN cloud. Increasing the EIGRP timers also slows down the routing convergence to improve network stability and the IWAN design allows PfR to initiate the fast failover, so changing the timers is recommended for all IWAN deployments.

```
router eigrp IWAN-EIGRP
  address-family ipv4 unicast autonomous-system 400
  af-interface Tunnel11
  hello-interval 20
  hold-time 60
  exit-af-interface
  exit-address-family
```

Step 3: Configure EIGRP neighbor authentication. Neighbor authentication enables the secure establishment of peering adjacencies and exchange route tables over the DMVPN tunnel interface.

```
key chain WAN-KEY
  key 1
    key-string cisco123

router eigrp IWAN-EIGRP
  address-family ipv4 unicast autonomous-system 400
  af-interface Tunnel11
    authentication mode md5
    authentication key-chain WAN-KEY
  exit-af-interface
exit-address-family
```

Step 4: Configure EIGRP network summarization.

The remote-site LAN networks must be advertised. The IP assignment for the remote sites was designed so that all of the networks in use can be summarized within a single aggregate route. As configured below, the **summary-address** command suppresses the more specific routes. If any network within the summary is present in the route table, the summary is advertised to the DMVPN hub, which offers a measure of resiliency. If the various LAN networks cannot be summarized, then EIGRP continues to advertise the specific routes.

```
router eigrp IWAN-EIGRP
  address-family ipv4 unicast autonomous-system 400
  af-interface Tunnel11
    summary-address [summary network] [summary mask]
  exit-af-interface
exit-address-family
```

Step 5: Configure the throughput delay on the tunnel interface.

Step 6: The tunnel interface throughput delay setting should be set to influence the routing protocol path preference. Set the primary WAN path to 10000 usec and the secondary WAN path to 200000 usec to prefer one over the other. The delay command is entered in 10 usec units.

```
interface Tunnel11
  delay 20000
```

Step 7: Add the stub-site wan-interface.

With EIGRP stub-site, route tagging and blocking is no longer needed at the remote sites. You add one command to each af-interface tunnel in order to identify it as the stub-site wan-interface.

```
router eigrp IWAN-EIGRP
  address-family ipv4 unicast autonomous-system 400
  af-interface Tunnel11
    stub-site wan-interface
  exit-af-interface
exit-address-family
```

Step 8: Proceed to Procedure 8 “Configure IP multicast routing.”

Option 2: BGP on the WAN

Step 1: Configure BGP values for the mGRE tunnel interface.

Use a private AS number for the BGP process. Assign this router’s loopback address as the BGP router-id. Log the neighbor changes. For internal BPG, use the same AS number for the remote sites. Use the tunnel interface as the update source. Adjust the BGP hello and hold timers to 20 seconds and 60 seconds, respectively. Peer to the hub border router.

```
router bgp 65100
  bgp router-id 10.255.243.12
  bgp log-neighbor-changes
  neighbor INET1-HUB peer-group
  neighbor INET1-HUB remote-as 65100
  neighbor INET1-HUB description To IWAN INET1 Hub Router
  neighbor INET1-HUB update-source Tunnel11
  neighbor INET1-HUB timers 20 60
  neighbor 10.6.36.1 peer-group INET1-HUB
```

Step 2: Configure the BGP address family.

Redistribute BGP internal routes and advertise an aggregate address for the site specific super-net prefix. Send the community string, set next-hop-self, set the weight to 50000, and turn on soft reconfiguration inbound. Activate the BGP connection to the DMVPN hub border router and set the BGP distance.

```

router bgp 65100
address-family ipv4
  bgp redistribute-internal
  aggregate-address 10.7.16.0 255.255.248.0 summary-only
  neighbor INET1-HUB send-community
  neighbor INET1-HUB next-hop-self all
  neighbor INET1-HUB weight 50000
  neighbor INET1-HUB soft-reconfiguration inbound
  neighbor 10.6.36.1 activate
  distance bgp 201 19 200
exit-address-family

```

Step 3: Create the prefix lists for BGP.

Define the prefix-lists for both remote site routers' loopback ip addresses and the site-specific prefixes.

```

ip prefix-list LOCAL-LOOPBACKS seq 10 permit 10.255.241.12/32
ip prefix-list LOCAL-LOOPBACKS seq 20 permit 10.255.243.12/32
ip prefix-list LOCAL-SUBNETS seq 10 permit 10.7.16.0/21

```

Step 4: Create and apply the prefix route maps for BGP.

Define the route map to allow prefixes to go out on the tunnel interface. Set the local preference and the community string for this DMVPN hub router. Apply the route map to the BGP address family for the hub border router.

```

route-map SPOKE-OUT permit 10
  description Match the local networks
  match ip address prefix-list LOCAL-LOOPBACKS LOCAL-SUBNETS

router bgp 65100
address-family ipv4
  neighbor INET1-HUB route-map SPOKE-OUT out

```

Procedure 8 Configure IP multicast routing for tunnel

Optional

This optional procedure includes additional steps for configuring IP Multicast for a DMVPN tunnel on a router with IP Multicast already enabled. Skip this procedure if you do not want to use IP Multicast in your environment.

Step 1: Configure PIM on the DMVPN tunnel interface.

Enable IP PIM sparse mode on the DMVPN tunnel interface.

```
interface Tunnel11
  ip pim sparse-mode
```

Step 2: Configure the DR priority for the DMVPN spoke router.

Proper multicast operation across a DMVPN cloud requires that the hub router assumes the role of PIM DR. Spoke routers should never become the DR. You can prevent that by setting the DR priority to 0 for the spokes.

```
interface Tunnel11
  ip pim dr-priority 0
```

Procedure 9 Connect router to access layer switch

Optional

If you are using a remote-site distribution layer, skip to the “Configuring Second Router for Remote-Site Distribution Layer” process.

Reader Tip

This guide includes only the additional steps needed to complete the access layer configuration. For complete access layer configuration details, refer to the [Campus LAN Layer 2 Access with Simplified Distribution Deployment Guide](#).

Layer 2 EtherChannels are used to interconnect the router to the access layer in the most resilient method possible, unless the access layer device is a single fixed configuration switch. Otherwise a simple Layer 2 trunk between the router and switch is used.

In the access layer design, the remote sites use collapsed routing, with 802.1Q trunk interfaces to the LAN access layer. The VLAN numbering is locally significant only.

Option 1: Layer 2 EtherChannel from router to access layer switch

Step 1: Configure port-channel interface on the router.

```
interface Port-channel2
  description EtherChannel link to RS12-A2960X
  no shutdown
```

Step 2: Configure EtherChannel member interfaces on the router.

Configure the physical interfaces to tie to the logical port-channel using the channel-group command. The number for the port-channel and channel-group must match. Not all router platforms can support LACP to negotiate with the switch, so EtherChannel is configured statically.

```
interface GigabitEthernet0/1
  description RS12-A2960X Gig1/0/48

interface GigabitEthernet0/2
  description RS12-A2960X Gig2/0/48

interface range GigabitEthernet0/1, GigabitEthernet0/2
  no ip address
  channel-group 2
  no shutdown
```

Step 3: Configure EtherChannel member interfaces on the access layer switch.

Connect the router EtherChannel uplinks to separate switches in the access layer switch stack.

The physical interfaces that are members of a Layer 2 EtherChannel are configured prior to configuring the logical port-channel interface. Doing the configuration in this order allows for minimal configuration and reduces errors because most of the commands entered to a port-channel interface are copied to its members interfaces and do not require manual replication.

Configure two or more physical interfaces to be members of the EtherChannel. It is recommended that they are added in multiples of two. Also, apply the egress QoS macro that was defined in the platform configuration procedure to ensure traffic is prioritized appropriately.

Not all connected router platforms can support LACP to negotiate with the switch, so EtherChannel is configured statically.

```
interface GigabitEthernet1/0/48
  description Link to RS12-2911-2 Gig0/1

interface GigabitEthernet2/0/48
  description Link to RS12-2911-2 Gig0/2

interface range GigabitEthernet1/0/48, GigabitEthernet2/0/48
  switchport
  channel-group 2 mode on
  logging event link-status
  logging event trunk-status
  logging event bundle-status
  load-interval 30
  macro apply EgressQoS
```

Step 4: Configure EtherChannel trunk on the access layer switch.

An 802.1Q trunk is used, which allows the router to provide the Layer 3 services to all the VLANs defined on the access layer switch. The VLANs allowed on the trunk are pruned to only the VLANs that are active on the access layer switch. When using EtherChannel the interface type will be port-channel and the number must match the channel group configured in Step 3. DHCP Snooping and ARP inspection are set to trust.

```
interface Port-channel2
  description EtherChannel link to RS12-2911-2
  switchport trunk allowed vlan 64,69,99
  switchport mode trunk
  ip arp inspection trust
  spanning-tree portfast trunk
  ip dhcp snooping trust
  load-interval 30
  no shutdown
```

The Cisco Catalyst 3750 Series Switch requires the **switchport trunk encapsulation dot1q** command.

Option 2: Layer 2 trunk from router to access layer switch

Step 1: Enable the physical interface on the router.

```
interface GigabitEthernet0/2
  description RS12-A2960X Gig1/0/48
  no ip address
  no shutdown
```

Step 2: Configure the trunk on the access layer switch.

Use an 802.1Q trunk for the connection, which allows the router to provide the Layer 3 services to all the VLANs defined on the access layer switch. The VLANs allowed on the trunk are pruned to only the VLANs that are active on the access switch. DHCP Snooping and ARP inspection are set to trust.




```

interface GigabitEthernet1/0/48
  description Link to RS12-2911-2 Gig0/2
  switchport trunk allowed vlan 64,69,99
  switchport mode trunk
  ip arp inspection trust
  spanning-tree portfast trunk
  logging event link-status
  logging event trunk-status
  ip dhcp snooping trust
  no shutdown
  load-interval 30
  macro apply EgressQoS

```

The Cisco Catalyst 3750 Series Switch requires the `switchport trunk encapsulation dot1q` command.

Procedure 10 Configure access layer interfaces

Step 1: Create subinterfaces and assign VLAN tags.

After the physical interface or port-channel have been enabled, then the appropriate data or voice subinterfaces can be mapped to the VLANs on the LAN switch. The subinterface number does not need to equate to the 802.1Q tag, but making them the same simplifies the overall configuration. The subinterface portion of the configuration should be repeated for all data or voice VLANs.

```

interface [type][number].[sub-interface number]
  encapsulation dot1q [dot1q VLAN tag]

```

Step 2: Configure IP settings for each subinterface.

This design uses an IP addressing convention with the default gateway router assigned an IP address and IP mask combination of `N.N.N.1 255.255.255.0` where N.N.N is the IP network and 1 is the IP host.

When you are using a centralized DHCP server, your routers with LAN interfaces connected to a LAN using DHCP for end-station IP addressing must use an IP helper.

This remote-site DMVPN spoke router is the second router of a dual-router design and HSRP is configured at the access layer. The actual interface IP assignments will be configured in the following procedure.

```

interface [type][number].[sub-interface number]
  description [usage]
  encapsulation dot1q [dot1q VLAN tag]
  ip helper-address 10.4.48.10
  ip pim sparse-mode

```

Example: Layer 2 port-channel

```
interface Port-channel2
  no ip address
  no shutdown

interface Port-channel2.64
  description Data
  encapsulation dot1Q 64
  ip helper-address 10.4.48.10
  ip pim sparse-mode

interface Port-channel2.69
  description Voice
  encapsulation dot1Q 69
  ip helper-address 10.4.48.10
  ip pim sparse-mode
```

Example: Layer 2 Gigabit Ethernet

```
interface GigabitEthernet0/2
  no ip address
  no shutdown

interface GigabitEthernet0/2.64
  description Data
  encapsulation dot1Q 64
  ip helper-address 10.4.48.10
  ip pim sparse-mode

interface GigabitEthernet0/2.69
  description Voice
  encapsulation dot1Q 69
  ip helper-address 10.4.48.10
  ip pim sparse-mode
```

Procedure 11 Configure access layer HSRP

You configure HSRP to enable a VIP that you use as a default gateway that is shared between two routers. The HSRP active router is the router connected to the primary carrier and the HSRP standby router is the router connected to the secondary carrier or backup link.

Step 1: Configure the HSRP standby router with a standby priority that is lower than the HSRP active router.

The router with the higher standby priority value is elected as the HSRP active router. The preempt option allows a router with a higher priority to become the HSRP active, without waiting for a scenario where there is no router in the HSRP active state. The relevant HSRP parameters for the router configuration are shown in the following table.

Table 49 WAN remote-site HSRP parameters (dual router)

Router	HSRP role	VIP	Real IP address	HSRP priority	PIM DR priority
Primary	Active	.1	.2	110	110
Secondary	Standby	.1	.3	105	105

The dual-router access-layer design requires a modification for resilient multicast. The PIM DR should be on the HSRP active router. The DR is normally elected based on the highest IP address and has no awareness of the HSRP configuration. In this design, the HSRP active router has a lower real IP address than the HSRP standby router, which requires a modification to the PIM configuration. The PIM DR election can be influenced by explicitly setting the DR priority on the LAN-facing subinterfaces for the routers.

Tech Tip

The HSRP priority and PIM DR priority are shown in the previous table to be the same value; however there is no requirement that these values must be identical.

Step 2: Repeat this procedure for all data or voice subinterfaces.

```
interface [interface type][number].[sub-interface number]
 ip address [LAN network 1 address] [LAN network 1 netmask]
 ip pim dr-priority 105
 standby version 2
 standby 1 ip [LAN network 1 gateway address]
 standby 1 priority 105
 standby 1 preempt
 standby 1 authentication md5 key-string cisco123
```

Example: Layer 2 port-channel

```
interface PortChannel2
  no ip address
  no shutdown

interface PortChannel2.64
  description Data
  encapsulation dot1Q 64
  ip address 10.7.18.3 255.255.255.0
  ip helper-address 10.4.48.10
  ip pim dr-priority 105
  ip pim sparse-mode
  standby version 2
  standby 1 ip 10.7.18.1
  standby 1 priority 105
  standby 1 preempt
  standby 1 authentication md5 key-string clisco123

interface PortChannel2.69
  description Voice
  encapsulation dot1Q 69
  ip address 10.7.19.3 255.255.255.0
  ip helper-address 10.4.48.10
  ip pim dr-priority 105
  ip pim sparse-mode
  standby version 2
  standby 1 ip 10.7.19.1
  standby 1 priority 105
  standby 1 preempt
  standby 1 authentication md5 key-string clisco123
```

Example: Layer 2 Gigabit Ethernet

```
interface GigabitEthernet0/2
  no ip address
  no shutdown

interface GigabitEthernet0/2.64
  description Data
  encapsulation dot1Q 64
  ip address 10.7.18.3 255.255.255.0
  ip helper-address 10.4.48.10
  ip pim dr-priority 105
  ip pim sparse-mode
  standby version 2
  standby 1 ip 10.7.18.1
  standby 1 priority 105
  standby 1 preempt
  standby 1 authentication md5 key-string clisco123

interface GigabitEthernet0/2.69
  description Voice
  encapsulation dot1Q 69
  ip address 10.7.19.3 255.255.255.0
  ip helper-address 10.4.48.10
  ip pim dr-priority 105
  ip pim sparse-mode
  standby version 2
  standby 1 ip 10.7.19.1
  standby 1 priority 105
  standby 1 preempt
  standby 1 authentication md5 key-string clisco123
```

Procedure 12 Configure transit network for dual router design

You use this network for router-router communication and to avoid hairpinning. The transit network should use an additional subinterface on the router interface that is already being used for data or voice.

Step 1: Configure the transit network between the two routers.

There are no end stations connected to this network, so HSRP and DHCP are not required.

```
interface [interface type][number].[sub-interface number]
  encapsulation dot1Q [dot1q VLAN tag]
  ip address [transit net address] [transit net netmask]
  ip pim sparse-mode
```

Example: Layer 2 port-channel

```
interface PortChannel2.99
  description Transit Net
  encapsulation dot1Q 99
  ip address 10.7.16.10 255.255.255.252
  ip pim sparse-mode
```

Example: Layer 2 Gigabit Ethernet

```
interface GigabitEthernet0/2.99
  description Transit Net
  encapsulation dot1Q 99
  ip address 10.7.16.10 255.255.255.252
  ip pim sparse-mode
```

Procedure 13 Configure the routing protocol on the transit network

If you are planning to use EIGRP, choose option 1. If you are planning to use BGP on the WAN and OSPF on the LAN, choose option 2.

Option 1: EIGRP on the transit network

The following table shows the EIGRP transit network delay in use.

Table 50 EIGRP transit network delay for IWAN remote-site routers

LAN Interface	EIGRP LAN Delay (10 usec)
Transit	24000

A single EIGRP process runs on the DMVPN spoke router, which has already been enabled during the configuration of the DMVPN tunnel. All interfaces on the router are EIGRP interfaces, but only the DMVPN tunnel interface and transit network are non-passive. The network range must include all interface IP addresses either in a single network statement or in multiple network statements.

Step 1: Configure the transit network subinterface as non-passive.

```
router eigrp IWAN-EIGRP
  address-family ipv4 unicast autonomous-system 400
    af-interface GigabitEthernet0/2.99
      no passive-interface
    exit-af-interface
  exit-address-family
```

Step 2: Configure EIGRP neighbor authentication. Neighbor authentication enables the secure establishment of peering adjacencies and exchange route tables over the transit network interface.

```
key chain LAN-KEY
  key 1
    key-string c1sco123

router eigrp IWAN-EIGRP
  address-family ipv4 unicast autonomous-system 400
    af-interface GigabitEthernet0/2.99
      authentication mode md5
      authentication key-chain LAN-KEY
    exit-af-interface
  exit-address-family
```

Step 3: Configure the throughput delay on the transit network interface.

At a remote site location where there are multiple border routers, the interface throughput delay setting should be set to influence the routing protocol path preference. Set the transit network LAN path to 240000 usec. The delay command is entered in 10 usec units.

```
interface GigabitEthernet0/2.99
  delay 24000
```

Option 2: OSPF on the transit network

A single OSPF process runs on the DMVPN spoke router.

Step 1: Configure OSPF Area 0 by using the network summary address and the loopback interface IP address as the router-id. Turn on default information originate in order to advertise a default route into the OSPF domain.

```
router ospf 100
  router-id 10.255.243.12
  network 10.7.16.0 0.0.7.255 area 0
  network 10.255.243.12 0.0.0.0 area 0
  default-information originate
```

Step 2: Turn on passive-interface as the default and remove it for the transit network LAN interface.

```
router ospf 100
  passive-interface default
  no passive-interface GigabitEthernet0/2.99
```

Step 3: Create a route map to block local subnets from OSPF and tag all the rest of the BGP routes coming into OSPF.

Block the local subnets using the **LOCAL-SUBNETS** prefix list created previously. Tag the rest of the routes from BGP with a value of 1.

```
route-map REDIST-BGP-TO-OSPF deny 10
  description Do not redistribute LOCAL SUBNETS into OSPF
  match ip address prefix-list LOCAL-SUBNETS

route-map REDIST-BGP-TO-OSPF permit 20
  description Identify routes redistributed from BGP
  set tag 1
```

Step 4: Redistribute BGP into OSPF using the route map from the previous step.

```
router ospf 100
  redistribute bgp 65100 subnets route-map REDIST-BGP-TO-OSPF
```


Step 5: Create a route map to block the routes with a tag value of 1.

Block routes with a tag of 1, but allow all internal, external type 1 and external type 2.

```
route-map REDIST-OSPF-TO-BGP deny 10
  description Block all routes redistributed from BGP
  match tag 1

route-map REDIST-OSPF-TO-BGP permit 20
  description Redistribute all other routes
  match route-type internal
  match route-type external type-1
  match route-type external type-2
```

Step 6: Redistribute OSPF into BGP by using the route map from the previous step.

```
router bgp 65100
  address-family ipv4
    redistribute ospf 100 route-map REDIST-OSPF-TO-BGP
  exit-address-family
```

Deploying an IWAN Remote-Site Distribution Layer

This process helps you configure a DMVPN spoke router for an IWAN remote site and connect to a distribution layer.

PROCESS

Configuring Remote-Site Router for Distribution Layer

1. Connect router to distribution layer
2. Configure distribution layer switch
3. Configure the routing protocol on the distribution layer link
4. Configure transit network for dual router design
5. Configure the routing protocol on the transit network

This process covers the IWAN hybrid design model and the IWAN dual-Internet design model. Use this process to:

- Connect a distribution layer to a router in the single-router, dual-link design.
- Connect a distribution layer to the first router of the dual-router, dual-link design.

The distribution layer remote-site options are shown in the following figures.

Figure 9 IWAN single router remote-site: Connection to distribution layer

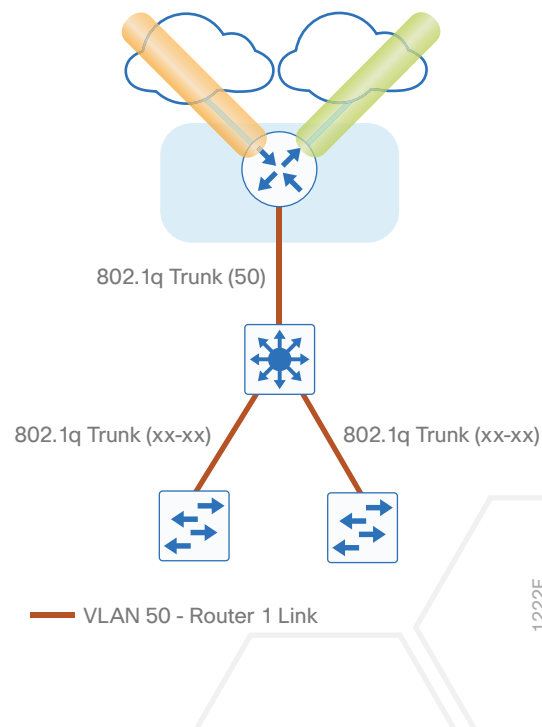
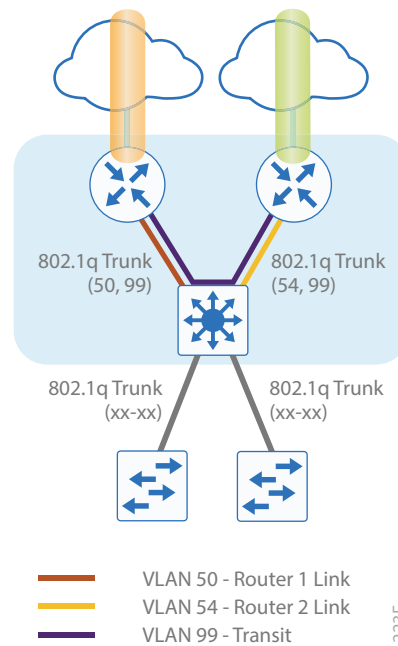


Figure 10 IWAN dual router remote-site: Connection to distribution layer



Procedure 1 Connect router to distribution layer

Reader Tip

This guide includes only the additional steps for completing the distribution layer configuration. For complete distribution layer configuration details, see the [Campus LAN Layer 2 Access with Simplified Distribution Deployment Guide](#).

Layer 2 EtherChannels are used to interconnect the remote-site router to the distribution layer in the most resilient method possible. This connection allows for multiple VLANs to be included on the EtherChannel as necessary.

Step 1: Configure port-channel interface on the router.

```
interface Port-channel1
  description EtherChannel link to RS42-D3850
  no shutdown
```

Step 2: Configure the port channel sub-interfaces and assign IP addresses.

After you have enabled the interface, map the appropriate sub-interfaces to the VLANs on the distribution layer switch. The sub-interface number does not need to equate to the 802.1Q tag, but making them the same simplifies the overall configuration.

The sub-interface configured on the router corresponds to a VLAN interface on the distribution-layer switch.

Traffic is routed between the devices with the VLAN acting as a point-to-point link.

```
interface Port-channel1.50
  description R1 routed link to distribution layer
  encapsulation dot1Q 50
  ip address 10.7.208.1 255.255.255.252
  ip pim sparse-mode
```

Step 3: Configure EtherChannel member interfaces on the router.

Configure the physical interfaces to tie to the logical port-channel using the channel-group command. The number for the port-channel and channel-group must match. Not all router platforms can support LACP to negotiate with the switch, so EtherChannel is configured statically.

```
interface GigabitEthernet0/0/2
  description RS42-D3850 Gig1/1/1

interface GigabitEthernet0/0/3
  description RS42-D3850 Gig2/1/1

interface range GigabitEthernet0/0/2, GigabitEthernet0/0/3
  no ip address
  channel-group 1
  no shutdown
```

Procedure 2 Configure distribution layer switch

Step 1: Configure VLAN on the distribution layer switch.

```
vlan 50
  name R1-link
```

Step 2: Configure Layer 3 on the distribution layer switch.

Configure a VLAN interface, also known as a switch virtual interface (SVI), for the new VLAN added. The SVI is used for point to point IP routing between the distribution layer and the WAN router.

```
interface Vlan50
  ip address 10.5.208.2 255.255.255.252
  ip pim sparse-mode
  no shutdown
```

Step 3: Configure EtherChannel member interfaces on the distribution layer switch.

Connect the router EtherChannel uplinks to separate switches in the distribution layer switches or stack.

The physical interfaces that are members of a Layer 2 EtherChannel are configured prior to configuring the logical port-channel interface. Doing the configuration in this order allows for minimal configuration and reduces errors because most of the commands entered to a port-channel interface are copied to its members interfaces and do not require manual replication.

Configure two or more physical interfaces to be members of the EtherChannel. It is recommended that they are added in multiples of two. Also, apply the egress QoS macro that was defined in the platform configuration procedure to ensure traffic is prioritized appropriately.

Not all connected router platforms can support LACP to negotiate with the switch, so EtherChannel is configured statically.

```
interface GigabitEthernet1/1/1
  description Link to RS42-4451X-1 Gig0/0/2

interface GigabitEthernet2/1/1
  description Link to RS42-4451X-1 Gig0/0/3

interface range GigabitEthernet1/1/1, GigabitEthernet2/1/1
  switchport
  channel-group 1 mode on
  logging event link-status
  logging event trunk-status
  logging event bundle-status
  load-interval 30
  macro apply EgressQoS
```

Step 4: Configure EtherChannel trunk on the distribution layer switch.

An 802.1Q trunk is used, which allows the router to provide the Layer 3 services to all the VLANs defined on the distribution layer switch. The VLANs allowed on the trunk are pruned to only the VLANs that are active on the distribution layer switch. When using EtherChannel the interface type will be port-channel and the number must match the channel group configured in Step 3. DHCP Snooping and ARP inspection are set to trust.

```
interface Port-channel1
  description EtherChannel link to RS42-4451X-1
  switchport trunk allowed vlan 50
  switchport mode trunk
  spanning-tree portfast trunk
  load-interval 30
  no shutdown
```

The Cisco Catalyst 3750 Series Switch requires the `switchport trunk encapsulation dot1q` command.

Procedure 3 Configure the routing protocol on the distribution layer link

If you are planning to use EIGRP, choose option 1. If you are planning to use BGP on the WAN and OSPF on the LAN, choose option 2.

Option 1: EIGRP on the distribution layer link

The following table shows the EIGRP LAN delay in use.

Table 51 EIGRP LAN delay for IWAN remote-site routers with distribution links

LAN Interface	EIGRP LAN Delay (10 usec)
All LAN	25000

A single EIGRP process runs on the DMVPN spoke router, which has already been enabled during configuration of the DMVPN tunnel. All interfaces on the router are EIGRP interfaces, but only the DMVPN tunnel interface and the link to the distribution layer are non-passive. The network range must include all interface IP addresses either in a single network statement or in multiple network statements.

Step 1: Configure the distribution layer link sub-interface as non-passive.

```
router eigrp IWAN-EIGRP
  address-family ipv4 unicast autonomous-system 400
    af-interface Port-channel1.50
      no passive-interface
    exit-af-interface
  exit-address-family
```

Step 2: Configure EIGRP neighbor authentication. Neighbor authentication enables the secure establishment of peering adjacencies and exchange route tables over the interface.

```
key chain LAN-KEY
  key 1
    key-string c1sco123

router eigrp IWAN-EIGRP
  address-family ipv4 unicast autonomous-system 400
    af-interface Port-channel1.50
      authentication mode md5
      authentication key-chain LAN-KEY
    exit-af-interface
  exit-address-family
```

Step 3: Configure the throughput delay on the LAN interface.

At the remote where there are multiple routers, the interface throughput delay setting should be set to influence the EIGRP routing protocol path preference.

Tech Tip

If you are using Port-channel interfaces with two Gigabit Ethernet members as recommended in this guide, you will have to double the LAN path delay to 500000 microseconds (usec), instead of the standard IWAN setting of 250000.

Set the internal LAN path to 500000 microseconds (usec). The delay command is entered in 10 usec units.

```
interface Port-channel1.50
  delay 50000
```

Step 4: On the distribution layer switch VLAN interface, enable EIGRP.

EIGRP is already configured on the distribution layer switch. The VLAN interface that connects to the router must be configured for EIGRP neighbor authentication and as a non-passive EIGRP interface.

```
key chain LAN-KEY
  key 1
    key-string cisco123

router eigrp IWAN-EIGRP
  address-family ipv4 unicast autonomous-system 400
  af-interface Vlan50
    authentication mode md5
    authentication key-chain LAN-KEY
  no passive-interface
  exit-af-interface
exit-address-family
```

Option 2: OSPF on the distribution layer link

Step 1: Configure OSPF Area 0 by using the network summary address and the loopback interface IP address as the router-id.

```
router ospf 100
  router-id 10.255.241.42
  passive-interface default
  network 10.7.208.0 0.0.7.255 area 0
  network 10.255.241.42 0.0.0.0 area 0
  default-information originate
```

Step 2: Turn on passive-interface as the default and remove it for the distribution layer link.

```
router ospf 100
  passive-interface default
  no passive-interface Port-channel1.50
```

Step 3: On the distribution layer switch VLAN interface, enable OSPF.

OSPF is already configured on the distribution layer switch. The VLAN interface that connects to the router must be configured as a non-passive OSPF interface.

```
router ospf 100
  no passive-interface Vlan50
```

If this is a dual-router site, skip to the next procedure.

Reader Tip

The next several steps are only needed if you are adding a distribution layer to a single-router site using BGP. If you are adding a distribution layer to a dual-router site, these steps were already completed when you added the second router to the site.

Step 4: In the BGP process, remove redistribute connected, and then add redistribute internal.

The **redistribute connected** command is needed only for single router sites without a distribution layer. When adding a distribution layer to a single router remote site, remove the **redistribute connected** command and add the **bgp redistribute-internal** command.

```
router bgp 65100
  address-family ipv4
  no redistribute connected
  bgp redistribute-internal
  exit-address-family
```

Step 5: Create a route map to tag the BGP routes coming into OSPF.

Tag the routes from BGP with a value of 1.

```
route-map REDIST-BGP-TO-OSPF permit 10
  description Identify routes redistributed from BGP
  set tag 1
```

Step 6: Redistribute BGP into OSPF by using the route map from the previous step.

```
router ospf 100
  redistribute bgp 65100 subnets route-map REDIST-BGP-TO-OSPF
```


Step 7: Create a route map to block the routes with a tag value of 1.

Block routes with a tag of 1, but allow all internal, external type 1 and external type 2.

```
route-map REDIST-OSPF-TO-BGP deny 10
  description Block all routes redistributed from BGP
  match tag 1

route-map REDIST-OSPF-TO-BGP permit 20
  description Redistribute all other routes
  match route-type internal
  match route-type external type-1
  match route-type external type-2
```

Step 8: Redistribute OSPF into BGP by using the route map from the previous step.

```
router bgp 65100
  address-family ipv4
    redistribute ospf 100 route-map REDIST-OSPF-TO-BGP
  exit-address-family
```

Example: Single-router site with distribution layer—RS41-2921

```
router ospf 100
  router-id 10.255.241.41
  redistribute bgp 65100 subnets route-map REDIST-BGP-TO-OSPF
  passive-interface default
  no passive-interface Port-channel1.50
  network 10.7.192.0 0.0.7.255 area 0
  network 10.255.241.41 0.0.0.0 area 0
  default-information originate

router bgp 65100
  bgp router-id 10.255.241.41
  bgp log-neighbor-changes
  neighbor MPLS1-HUB peer-group
  neighbor MPLS1-HUB remote-as 65100
  neighbor MPLS1-HUB description To IWAN MPLS1 Hub Router
  neighbor MPLS1-HUB update-source Tunnel10
  neighbor MPLS1-HUB timers 20 60
```

```
neighbor 10.6.34.1 peer-group MPLS1-HUB

address-family ipv4
  bgp redistribute-internal
  aggregate-address 10.7.192.0 255.255.248.0 summary-only
  redistribute ospf 100 route-map REDIST-OSPF-TO-BGP
  neighbor MPLS1-HUB send-community
  neighbor MPLS1-HUB next-hop-self all
  neighbor MPLS1-HUB weight 50000
  neighbor MPLS1-HUB soft-reconfiguration inbound
  neighbor MPLS1-HUB route-map SPOKE-OUT out
  neighbor 10.6.34.1 activate
  distance bgp 201 19 200
exit-address-family

ip prefix-list LOCAL-LOOPBACKS seq 10 permit 10.255.241.41/32

ip prefix-list LOCAL-SUBNETS seq 10 permit 10.7.192.0/21

route-map SPOKE-OUT permit 10
  description Match the local networks
  match ip address prefix-list LOCAL-LOOPBACKS LOCAL-SUBNETS

route-map REDIST-BGP-TO-OSPF permit 10
  description Identify routes redistributed from BGP
  set tag 1

route-map REDIST-OSPF-TO-BGP deny 10
  description Block all routes redistributed from BGP
  match tag 1

route-map REDIST-OSPF-TO-BGP permit 20
  description Redistribute all other routes
  match route-type internal
  match route-type external type-1
  match route-type external type-2
```

Procedure 4 Configure transit network for dual router design

This procedure is only for dual-router remote sites.

Step 1: Configure the transit network between the two routers.

You use this network for router-router communication and to avoid hairpinning. The transit network should use an additional sub-interface on the EtherChannel interface that is already used to connect to the distribution layer.

There are no end stations connected to this network so HSRP and DHCP are not required. The transit network uses Layer 2 pass through on the distribution layer switch, so no SVI is required.

```
interface Port-channel1.99
  description Transit Net
  encapsulation dot1Q 99
  ip address 10.7.208.9 255.255.255.252
  ip pim sparse-mode
```

Step 2: Configure transit network VLAN on the distribution layer switch.

```
vlan 99
  name Transit-net
```

Step 3: Add transit network VLAN to the existing distribution layer switch EtherChannel trunk.

```
interface Port-channel1
  switchport trunk allowed vlan add 99
```

Procedure 5 Configure the routing protocol on the transit network

This procedure is only for dual-router remote sites.

If you are planning to use EIGRP, choose option 1. If you are planning to use BGP on the WAN and OSPF on the LAN, choose option 2.

Option 1: EIGRP on the transit network

The following table shows the EIGRP transit network delay in use.

Table 52 EIGRP transit network delay for IWAN remote-site routers

LAN Interface	EIGRP LAN Delay (10 usec)
Transit	24000

Step 1: Enable EIGRP on the transit net interface on the router.

The transit network must be a non-passive EIGRP interface.

```
router eigrp IWAN-EIGRP
  address-family ipv4 unicast autonomous-system 400
  af-interface Port-channel1.99
  authentication mode md5
  authentication key-chain LAN-KEY
  no passive-interface
  exit-af-interface
  exit-address-family
```

Step 2: Configure the throughput delay on the transit network interface.

At a remote site location where there are multiple border routers, the interface throughput delay setting should be set to influence the routing protocol path preference. Set the transit network LAN path to 240000 usec. The delay command is entered in 10 usec units.

```
interface Port-channel1.99
  delay 24000
```

Option 2: OSPF on the transit network

Step 1: Remove passive interface for the transit network interface.

```
router ospf 100
  no passive-interface Port-channel1.99
```

PROCESS

Configuring Second Router for Remote-Site Distribution Layer

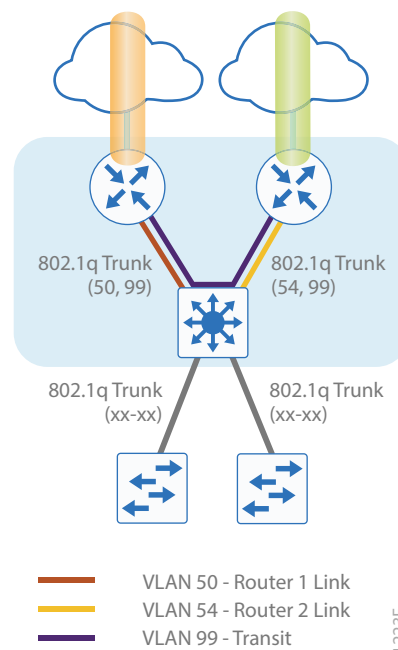
1. Connect router to distribution layer
2. Configure the routing protocol on the distribution layer link

This process helps you configure the second DMVPN spoke router for an IWAN remote site and connect to a distribution layer.

This process covers the IWAN hybrid design model and the IWAN dual-Internet design model. Use this process to connect a distribution layer to the second router of the dual-router, dual-link design.

The dual-router distribution layer remote-site option is shown in the following figure.

Figure 11 WAN remote site: Connection to distribution layer



Procedure 1 Connect router to distribution layer

Reader Tip

Please refer to the [Campus Wired LAN Design Guide](#) for complete distribution layer configuration details. This guide only includes the additional steps to complete the distribution layer configuration.

Layer 2 EtherChannels are used to interconnect the remote-site router to the distribution layer in the most resilient method possible. This connection allows for multiple VLANs to be included on the EtherChannel as necessary.

Step 1: Configure port-channel interface on the router.

```
interface Port-channel2
  description EtherChannel link to RS42-D3850
  no shutdown
```

Step 2: Configure the port channel sub-interfaces and assign IP address.

After you have enabled the interface, map the appropriate sub-interfaces to the VLANs on the distribution layer switch. The sub-interface number does not need to equate to the 802.1Q tag, but making them the same simplifies the overall configuration.

The sub-interface configured on the router corresponds to a VLAN interface on the distribution-layer switch. Traffic is routed between the devices with the VLAN acting as a point-to-point link.

```
interface Port-channel2.54
  description R2 routed link to distribution layer
  encapsulation dot1Q 54
  ip address 10.7.208.5 255.255.255.252
  ip pim sparse-mode
```

Step 3: Configure the transit network interface on the router.

```
interface Port-channel2.99
  description Transit Net
  encapsulation dot1Q 99
  ip address 10.7.208.10 255.255.255.252
  ip pim sparse-mode
```

Step 4: Configure EtherChannel member interfaces on the router.

Configure the physical interfaces to tie to the logical port-channel using the channel-group command. The number for the port-channel and channel-group must match. Not all router platforms can support LACP to negotiate with the switch, so EtherChannel is configured statically.

```
interface GigabitEthernet0/0/2
  description RS42-D3850X Gig1/1/2

interface GigabitEthernet0/0/3
  description RS42-D3850X Gig2/1/2

interface range GigabitEthernet0/0/2, GigabitEthernet0/0/3
  no ip address
  channel-group 2
  no shutdown
```

Step 5: Configure VLAN on the distribution layer switch.

```
vlan 54
  name R2-link
```

Step 6: Configure Layer 3 on the distribution layer switch.

Configure a VLAN interface, also known as a SVI, for the new VLAN added. The SVI is used for point to point IP routing between the distribution layer and the WAN router.

```
interface Vlan54
  ip address 10.7.208.6 255.255.255.252
  ip pim sparse-mode
  no shutdown
```

Step 7: Configure EtherChannel member interfaces on the distribution layer switch.

Connect the router EtherChannel uplinks to separate switches in the distribution layer switches or stack.

The physical interfaces that are members of a Layer 2 EtherChannel are configured prior to configuring the logical port-channel interface. Doing the configuration in this order allows for minimal configuration and reduces errors because most of the commands entered to a port-channel interface are copied to its members interfaces and do not require manual replication.

Configure two or more physical interfaces to be members of the EtherChannel. It is recommended that they are added in multiples of two. Also, apply the egress QoS macro that was defined in the platform configuration procedure to ensure traffic is prioritized appropriately.

Not all connected router platforms can support LACP to negotiate with the switch, so EtherChannel is configured statically.

```
interface GigabitEthernet1/1/2
  description Link to RS42-4451X-2 Gig0/0/2
interface GigabitEthernet2/1/2
  description Link to RS42-4451X-2 Gig0/0/3

interface range GigabitEthernet1/1/2, GigabitEthernet2/1/2
  switchport
  channel-group 2 mode on
  logging event link-status
  logging event trunk-status
  logging event bundle-status
  load-interval 30
  macro apply EgressQoS
```

Step 8: Configure EtherChannel trunk on the distribution layer switch.

An 802.1Q trunk is used, which allows the router to provide the Layer 3 services to all the VLANs defined on the distribution layer switch. The VLANs allowed on the trunk are pruned to only the VLANs that are active on the distribution layer switch. When using EtherChannel the interface type will be port-channel and the number must match the channel group configured in Step 3. DHCP Snooping and ARP inspection are set to trust.

```
interface Port-channel2
  description EtherChannel link to RS42-4451X-2
  switchport trunk allowed vlan 54,99
  switchport mode trunk
  spanning-tree portfast trunk
  no shutdown
```

The Cisco Catalyst 3750 Series Switch requires the `switchport trunk encapsulation dot1q` command.

Procedure 2 Configure the routing protocol on the distribution layer link

If you are planning to use EIGRP, choose option 1. If you are planning to use BGP on the WAN and OSPF on the LAN, choose option 2.

Option 1: EIGRP on the distribution layer link

The following table shows the EIGRP network delay in use.

Table 53 EIGRP delay for IWAN remote-site routers

LAN Interface	EIGRP LAN Delay (10 usec)
LAN	50000
Transit	24000

A single EIGRP process runs on the DMVPN spoke router, which has already been enabled during DMVPN tunnel configuration. All interfaces on the router are EIGRP interfaces, but only the DMVPN tunnel interface, the link to the distribution layer, and the transit network link are non-passive. The network range must include all interface IP addresses either in a single network statement or in multiple network statements.

Step 1: Configure the distribution layer link subinterface as non-passive.

```
router eigrp IWAN-EIGRP
  address-family ipv4 unicast autonomous-system 400
    af-interface Port-channel2.54
      no passive-interface
    exit-af-interface
  exit-address-family
```


Step 2: Configure the transit network link subinterface as non-passive.

```
router eigrp IWAN-EIGRP
  address-family ipv4 unicast autonomous-system 400
    af-interface Port-channel2.99
      no passive-interface
    exit-af-interface
  exit-address-family
```

Step 3: Configure EIGRP neighbor authentication. Neighbor authentication enables the secure establishment of peering adjacencies and exchange route tables over the interface.

```
key chain LAN-KEY
  key 1
    key-string c1sco123

router eigrp IWAN-EIGRP
  address-family ipv4 unicast autonomous-system 400
    af-interface Port-channel2.54
      authentication mode md5
      authentication key-chain LAN-KEY
    exit-af-interface
  af-interface Port-channel2.99
    authentication mode md5
    authentication key-chain LAN-KEY
  exit-af-interface
  exit-address-family
```

Step 4: Configure the throughput delay on the LAN interface.

At the remote where there are multiple routers, the interface throughput delay setting should be set to influence the EIGRP routing protocol path preference.

Tech Tip

If you are using Port-channel interfaces with two Gigabit Ethernet members as recommended in this guide, you will have to double the LAN path delay to 500000 microseconds (usec), instead of the standard IWAN setting of 250000.

Set the internal LAN path to 500000 microseconds (usec). The delay command is entered in 10 usec units.

```
interface Port-channel2.54
  delay 50000
```

Step 5: Configure the throughput delay on the transit network interface.

Set the transit network LAN path to 240000 usec. The delay command is entered in 10 usec units.

```
interface Port-channel2.99
  delay 24000
```

Step 6: Enable EIGRP on distribution layer switch VLAN interface.

EIGRP is already configured on the distribution layer switch. The VLAN interface that connects to the router must be configured for EIGRP neighbor authentication and as a non-passive EIGRP interface.

```
key chain LAN-KEY
  key 1
    key-string cisco123

router eigrp IWAN-EIGRP
  address-family ipv4 unicast autonomous-system 400
  af-interface Vlan54
    authentication mode md5
    authentication key-chain LAN-KEY
  no passive-interface
  exit-af-interface
exit-address-family
```

Option 2: OSPF on the distribution layer link

Step 1: Configure OSPF Area 0 by using the network summary address and the loopback interface IP address as the router-id.

```
router ospf 100
  router-id 10.255.243.42
  passive-interface default
  network 10.7.208.0 0.0.7.255 area 0
  network 10.255.243.42 0.0.0.0 area 0
  default-information originate
```

Step 2: Turn on passive-interface as the default and remove it for the distribution layer link and the transit network.

```
router ospf 100
  passive-interface default
  no passive-interface Port-channel2.54
  no passive-interface Port-channel2.99
```

Step 3: On the distribution layer switch VLAN interface, enable OSPF.

OSPF is already configured on the distribution layer switch. The VLAN interface that connects to the router must be configured as a non-passive OSPF interface.

```
router ospf 100
no passive-interface Vlan350
```



Deploying IWAN Performance Routing

Performance Routing Version 3 (PfRv3) consists of two major Cisco IOS components, an MC and a BR. The MC defines the policies and applies them to various traffic classes that traverse the BR systems. The MC can be configured to learn and control traffic classes on the network.

- The MC is the policy decision-maker. At a large site, such as a data center or campus, the MC is a stand-alone router. For smaller locations, the MC is typically collocated (configured) on the same platform as the BR. As a general rule, the large locations manage more network prefixes and applications than a remote site deployment so they consume more CPU and memory resources for the MC function. Therefore, Cisco recommends a dedicated router for the MC at large sites.
- The BR is in the data-forwarding path. A BR collects data from its Performance Monitor cache and smart probes, provides a degree of aggregation of this information, and influences the packet-forwarding path as directed by the MC to optimize traffic.

The remote site typically manages fewer active TCs, which are made up of prefixes and applications. In most remote site deployments, it is possible to co-locate the MC and BR on the same hardware platform. CPU and memory utilization should be monitored on MC platforms, and if utilization is high, the network manager should consider an MC platform with a higher capacity CPU and memory. The MC communicates with the border routers over an authenticated TCP socket but has no requirement for populating its own IP routing table with anything more than a route to reach the border routers.

Because PfRv3 is an intelligent path selection technology, there must be at least two external interfaces under the control of PfRv3 and at least one internal interface. IWAN is not limited to two paths. Three paths per preference logic are supported, so you can configure the path-preference as follows:

- **Path-preference**—MPLS1, MPLS2 and MPLS3
- **Fallback**—INET1, INET2 and INET3
- **Next-fallback**—INET4, INET5, INET6

Path-preference can also include fallback to the routing protocol if there is no fallback provider, or the traffic can be dropped if the primary provider is not available.

There must be at least one BR configured. If only one BR is configured, then both external interfaces are attached to the single BR. If more than one BR is configured, then the two or more external interfaces are configured across these BR platforms. External links, or exit points, are therefore owned by the BR; for a supported IWAN solution, the external links must be logical (tunnel) interfaces using a DMVPN overlay.



There are four different roles a device can play in a standard PfRv3 configuration:

- **Hub Master Controller**—The hub MC is the MC at the primary WAN aggregation site. This is the MC device where all PfRv3 policies are configured. It also acts as MC for that site and makes path optimization decision. There is only one hub MC per IWAN domain, and you cannot configure the hub BR on the same router platform.
- **Hub Border Router**—This is a BR at the hub MC site. This is the device where WAN interfaces terminate. There can be only one WAN interface on the hub device. There can be one or more hub BRs. On the Hub BRs, PfRv3 must be configured with:
 - The address of the local MC
 - The path name on external interfaces
 - The path ID on external interfaces
- **Branch Master Controller**—The Branch MC is the MC at the branch-site. There is no policy configuration on this device. It receives policy from the Hub MC. This device acts as MC for that site for making path optimization decision. The configuration includes the IP address of the hub MC.
- **Branch Border Router**—This is a BR at the branch-site. The configuration on this device enables BR functionality and includes the IP address of the site local MC. The WAN interface that terminates on the device is detected automatically.

The first design model is the IWAN hybrid, which uses a primary MPLS transport paired with Internet VPN as a secondary transport. In this design model, the MPLS WAN provides SLA class of service guarantees for key applications. The second design model is the IWAN Dual Internet, which uses a pair of Internet service providers to further reduce cost while leveraging PfR in order to mitigate network performance problems on a single Internet provider. The PfR configuration is the same for both design models.



The following diagrams show the four different device roles and where they fit into the IWAN hybrid design model.

Figure 12 IWAN hybrid design model: PfR hub location

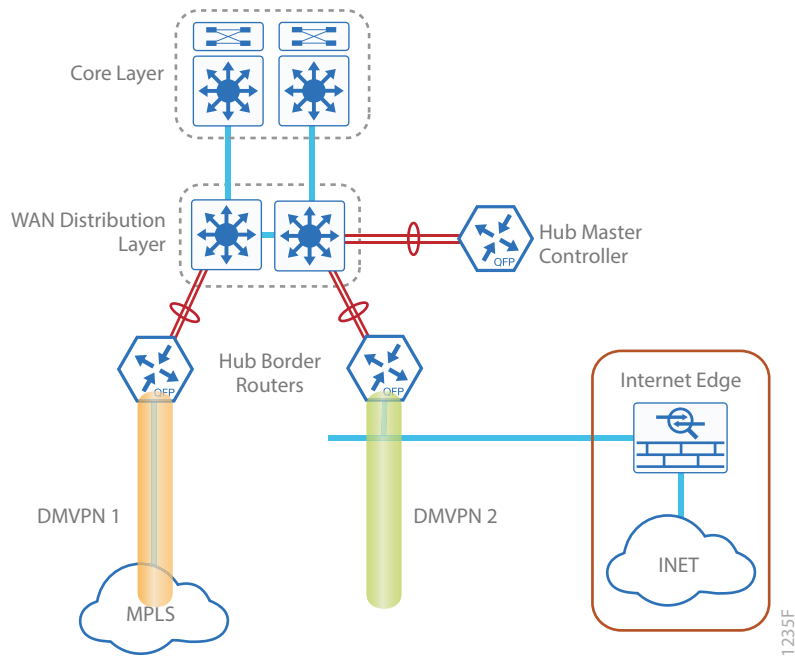
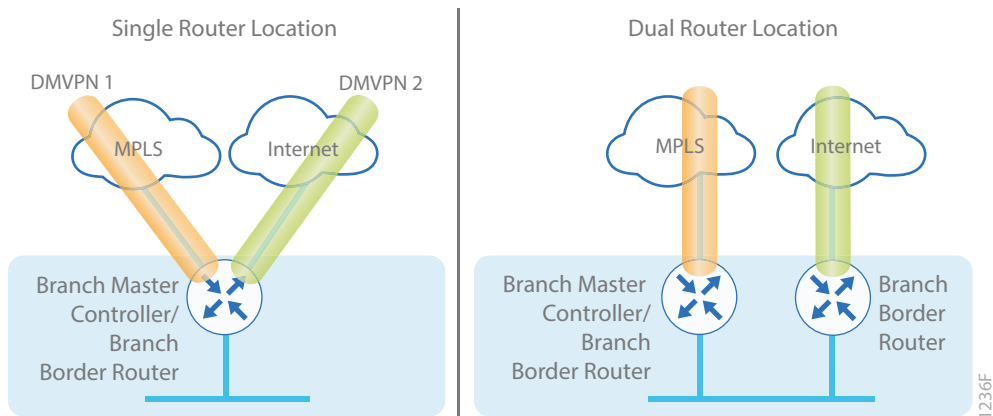


Figure 13 IWAN hybrid design model: PfR branch locations



PROCESS

Configuring Hub Master Controller

1. Connect router to distribution layer
2. Configure the Hub MC platform
3. Configure connectivity to the LAN
4. Configure the routing protocol on the LAN

This section describes configuring the PfR Hub MC as a new router. Only the core relevant features are included.

Table 54 Hub MC IP addresses

IWAN design model	Host name	Loopback IP address	Port-channel IP address
Hybrid	HY-MC-CSR1000v-1	10.6.32.251/32	10.6.32.151/26
Dual Internet	DI-MC-ASR1004-1	10.6.32.252/32	10.6.32.163/26

Procedure 1 Connect router to distribution layer

Reader Tip

Refer to the [Campus Wired LAN Design Guide](#) for complete distribution layer configuration details. This guide only includes the additional steps to complete the distribution layer configuration.

Step 1: If a VLAN does not already exist for the hub MC on the distribution layer switch, configure it now.

```
vlan 350
 name WAN_Service_Net
```

Step 2: If the Layer 3 SVI has not yet been configured, configure it now.

Be sure to configure a VLAN interface (SVI) for every new VLAN you add, so devices in the VLAN can communicate with the rest of the network.

```
interface Vlan350
 ip address 10.6.32.129 255.255.255.192
 no shutdown
```

Next, configure EtherChannel member interfaces.

Tech Tip

EtherChannel is a logical interface that bundles multiple physical LAN links into a single logical link.

Step 3: Connect the hub MC EtherChannel uplinks in order to separate switches in the distribution layer switches or stack, and then configure two physical interfaces to be members of the EtherChannel.

Also, apply the egress QoS macro that was defined in the platform configuration procedure. This ensures traffic is prioritized appropriately. The EtherChannel provides extra resiliency for the hub MC in case there is a link, line card or switch failure.

Tech Tip

Configure the physical interfaces that are members of a Layer 2 EtherChannel prior to configuring the logical port-channel interface. Doing the configuration in this order allows for minimal configuration and reduces errors because most of the commands entered to a port-channel interface are copied to its members interfaces and do not require manual replication.

```
interface GigabitEthernet 1/0/15
  description HY-MC-CSR1000v-1 (WAN-IWAN-C220-1) (vmonic4)

interface GigabitEthernet 2/0/15
  description HY-MC-CSR1000v-1 (WAN-IWAN-C220-1) (vmonic5)

interface range GigabitEthernet 1/0/15, GigabitEthernet 2/0/15
  switchport trunk encapsulation dot1q
  switchport trunk allowed vlan 350
  switchport mode trunk
  logging event trunk-status
  load-interval 30
  macro description EgressQoS
  spanning-tree portfast trunk
  channel-group 21 mode on
```

Next, configure the EtherChannel. Access mode interfaces are used for the connection to the hub MCs.

Step 4: Assign the VLAN created at the beginning of the procedure to the interface. When using EtherChannel, the port-channel number must match the channel group configured in Step 3.

```
interface Port-channel 21
  description HY-MC-CSR1000v-1
  switchport trunk encapsulation dot1q
  switchport trunk allowed vlan 350
  switchport mode trunk
  logging event trunk-status
  logging event bundle-status
  spanning-tree portfast trunk
  no shutdown
```

Step 5: Allow the routing protocol to form neighbor relationships across the vlan interface.

```
router eigrp IWAN-EIGRP
  address-family ipv4 unicast autonomous-system 400
  af-interface Vlan350
  no passive-interface
  authentication mode md5
  authentication key-chain LAN-KEY
  exit-af-interface
  exit-address-family
```

Procedure 2 Configure the Hub MC platform

Within this design, there are features and services that are common across all PfR routers. In this procedure, you configure system settings that simplify and secure the management of the solution.

To complete the base configuration for this router, follow the steps in “Configure the platform base features” in Appendix C.

Step 1: Increase the hold-queue on the loopback interface.

Increase the **hold-queue in** and **hold-queue out** to a queue length of 1024 on the loopback interface to allow the RTP application-table to be properly exported using Flexible Net Flow.

```
interface Loopback0
  hold-queue 1024 in
  hold-queue 1024 out
```

Procedure 3 Configure connectivity to the LAN

Any links to adjacent distribution layers should be Layer 3 links or Layer 3 EtherChannels.

Step 1: Configure a Layer 3 interface.

```
interface Port-channel21
  description IW-WAN-D3750X
  ip address 10.6.32.151 255.255.255.192
  no shutdown
```

Step 2: Configure EtherChannel member interfaces.

Configure the physical interfaces to tie to the logical port-channel by using the **channel-group** command. The number for the port-channel and channel-group must match. Not all router platforms can support LACP to negotiate with the switch, so EtherChannel is configured statically.

```
interface GigabitEthernet1
  description IW-WAN-D3750X Gig1/0/15

interface GigabitEthernet2
  description IW-WAN-D3750X Gig2/0/15

interface range GigabitEthernet1, GigabitEthernet2
  no ip address
  cdp enable
  channel-group 21
  no shutdown
```

Procedure 4 Configure the routing protocol on the LAN

If you are planning to use EIGRP, choose option 1. If you are planning to use BGP on the WAN and OSPF on the LAN, choose option 2.

Option 1: EIGRP on the LAN

Step 1: Configure IP unicast routing authentication key.

```
key chain LAN-KEY
  key 1
    key-string cisco123
```

Step 2: Configure IP unicast routing using EIGRP named mode.

EIGRP is configured facing the LAN distribution or core layer. In this design, the port-channel interface and the loopback must be EIGRP interfaces. The loopback may remain a passive interface. The network range must include both interface IP addresses, either in a single network statement or in multiple network statements. This design uses a best practice of assigning the router ID to a loopback address.

```
router eigrp IWAN-EIGRP
  address-family ipv4 unicast autonomous-system 400
  af-interface default
  passive-interface
  exit-af-interface
  network 10.6.0.0 0.1.255.255
  eigrp router-id 10.6.32.251
  exit-address-family
```

Step 3: Configure the EIGRP interface.

Allow EIGRP to form neighbor relationships across the interface to establish peering adjacencies and exchange route tables. In this step, you configure EIGRP authentication by using the authentication key specified in the previous procedure.

```
router eigrp IWAN-EIGRP
  address-family ipv4 unicast autonomous-system 400
  af-interface Port-channel21
  no passive-interface
  authentication mode md5
  authentication key-chain LAN-KEY
  exit-af-interface
  exit-address-family
```

Option 2: OSPF on the LAN

Step 1: Configure OSPF Area 0 by using the network summary addresses and the loopback interface IP address as the router-id.

```
router ospf 100
  router-id 10.6.32.251
  network 10.6.32.128 0.0.0.63 area 0
  network 10.6.32.251 0.0.0.0 area 0
```

Step 2: Turn on passive-interface as the default and remove it for the LAN interface.

```
router ospf 100
  passive-interface default
  no passive-interface Port-channel21
```

PROCESS

Configuring PfR for Hub Location

1. Verify IP connectivity to remote site loopback interfaces
2. Configure prefixes for the enterprise and data center
3. Configure PfR domain in the hub MC
4. Configure PfR domain in the hub BR
5. Verify PfR domain is operational on the hub MC

All sites belong to an PfR domain where the remote site MCs are peered together. Peering has been greatly enhanced in PfRv3 which allows site information exchange and single touch provisioning.

PfRv3 has simplified policies with pre-existing templates. The policy configuration for the PfR domain is done in the hub MC and the information is distributed to all sites via MC peering. This not only simplifies provisioning substantially but also makes the policy consistent across the entire IWAN network.

PfRv3 uses Unified Monitor (also called Performance Monitor) to monitor traffic going into WAN links and traffic coming from the WAN links. It monitors performance metrics per differentiated service code point (DSCP) rather than monitoring on per-flow or per-prefix basis. When application-based policies are used, the MC will use a mapping table between the Application Name and the DSCP discovered. This reduces the number of records significantly. PfRv3 relies on performance data measured on the existing data traffic on all paths whenever it can, thereby reducing the need of synthetic traffic. Furthermore, the measurement data is not exported unless there is a violation, which further reduces control traffic and processing of those records.

PfRv3 is also VRF-aware and instances of the MC work under a VRF.

Procedure 1 Verify IP connectivity to remote site loopback interfaces

It is mandatory to use loopback interfaces for the peering traffic between the BR and MC routers. For this design, you put the loopback addresses into a specific subnet range, so they are easily identified in the routing table. The loopback address ranges for the remote sites are as follows:

Table 55 Remote-site loopback IP address ranges

IWAN design model	Tunnel type	Loopback 0 address range
Hybrid–Primary Router	MPLS1	10.255.241.0/24
Hybrid–Secondary Router	INET1	10.255.242.0/24
Dual Internet–Primary Router	INET1	10.255.246.0/24
Dual Internet–Secondary Router	INET2	10.255.247.0/24

Step 1: Verify that the loopback 0 interfaces on each of your remote sites are reachable from the hub MC by using the **show ip route** command.

This example shows a loopback address range of 10.255.241.0/24 for nine remote site primary routers and an address range of 10.255.242.0/24 for four remote site secondary routers.

```
HY-MC-CSR1000v-1# show ip route | include 10.255.241
D      10.255.241.11/32 [90/25610880] via 10.6.32.129, 1w2d, Port-channel21
D      10.255.241.12/32 [90/25610880] via 10.6.32.129, 1w2d, Port-channel21
D      10.255.241.31/32 [90/25610880] via 10.6.32.129, 1w2d, Port-channel21
D      10.255.241.32/32 [90/25610880] via 10.6.32.129, 1w2d, Port-channel21
D      10.255.241.41/32 [90/25610880] via 10.6.32.129, 1w2d, Port-channel21
D      10.255.241.42/32 [90/25610880] via 10.6.32.129, 1w2d, Port-channel21
D      10.255.241.51/32 [90/25610880] via 10.6.32.129, 1w3d, Port-channel21
```

```
HY-MC-CSR1000v-1#show ip route | include 10.255.242
D      10.255.242.12/32 [90/25613440] via 10.6.32.129, 1w1d, Port-channel21
D      10.255.242.32/32 [90/25613440] via 10.6.32.129, 1w2d, Port-channel21
D      10.255.242.42/32 [90/25613440] via 10.6.32.129, 1w2d, Port-channel21
```

Procedure 2 Configure prefixes for the enterprise and data center

Before the configuration of PfRv3 on the hub MC, you must create a prefix list for the enterprise and data center. The enterprise-prefix list covers the range of IP addresses to be controlled and optimized within this IWAN domain. Prefixes outside of the enterprise-prefix list will not be controlled by application policies, but they will be load-balanced.

The site-prefix range includes the prefixes at this specific site, which is normally a WAN aggregation or data center (DC) site. Site-prefixes are typically statically defined at WAN aggregation and DC sites and discovered automatically at remote sites.

Tech Tip

The ip prefix-list options ge and le are not supported by PfR.

Step 1: Create the enterprise prefix list.

```
ip prefix-list [prefix-list-name] seq [value] permit [prefix list]
```

Example

This example shows a contiguous block of private address space from 10.4.0.0 to 10.7.255.255, which covers all the IP addresses within this IWAN PfR domain. It does not include the router loopback address range of 10.255.240.0 to 10.255.247.255 because you do not want PfR controlling those prefixes.

```
ip prefix-list ENTERPRISE-PREFIXES seq 10 permit 10.4.0.0/14
```

Step 2: Create the primary site prefix list.

```
ip prefix-list [prefix-list-name] seq [value] permit [prefix list]
```

Example

This example shows a data center network with two class B private address blocks of 10.4.0.0 and 10.6.0.0.

```
ip prefix-list DC1-PREFIXES seq 10 permit 10.4.0.0/16
```

```
ip prefix-list DC1-PREFIXES seq 20 permit 10.6.0.0/16
```

Procedure 3 Configure PfR domain in the hub MC

Domain policies are configured on the hub MC. These policies are distributed to branch MCs by using the peering infrastructure. All sites that are in the same domain will share the same set of PfR policies. Policies can be based on DSCP or on application names.

Policies are created using preexisting templates, or they can be customized with manually defined thresholds for delay, loss and jitter.

PfR policies support the following traffic measurements:

- **Transmission Control Protocol (TCP)**—Latency and loss
- **User Datagram Protocol (UDP)**—No measurements or loss
- **Real-time Transport Protocol (RTP)**—Jitter, latency and loss

Tech Tip

Loss is not calculated for UDP traffic that is not RTP. Traffic loss for RTP voice and video packets is calculated using the sequence numbers in the RTP header.

Table 56 PfR domain pre-defined policy templates

Pre-defined template	Priority	Threshold definition
Voice	1	one-way-delay threshold 150 msec
	2	loss threshold 1.0 percent
	3	jitter threshold 30000 usec
Real-time-video	1	loss threshold 1.0 percent
	2	one-way-delay threshold 150 msec
	3	jitter threshold 20000 usec
Low-latency-data	1	one-way-delay threshold 100 msec
	2	loss threshold 5.0 percent
Bulk-data	1	one-way-delay threshold 300 msec
	2	loss threshold 5.0 percent
Best-effort	1	one-way-delay threshold 500 msec
	2	loss threshold 10.0 percent
Scavenger	1	one-way-delay threshold 500 msec
	2	loss threshold 50.0 percent

To avoid unwanted channel unreachable messages, it is recommended that you change the value of the **channel-unreachable-timer** command from its default setting of 1 second. The command is under the **advanced** setting and the value is specified in seconds.

The NMS collector IP address and port number are defined in the hub MC. The information is automatically propagated to devices in the IWAN domain. If you do not want to use a single collector for your entire network, you can specify a different IP address and port number in the IWAN domain for each device.

Step 1: Create the hub MC domain.

```

domain [name]
vrf [name]
  master hub (create the hub MC)
  source-interface [interface]
  site-prefixes prefix-list [prefixes from previous procedure]
  password [password]
  advanced
    channel-unreachable-timer [value in seconds]
  enterprise-prefix prefix-list [prefixes from previous procedure]
  collector [IP address of NMS] port [NetFlow]

```

Example

```

domain iwan
vrf default
  master hub
    source-interface Loopback0
    site-prefixes prefix-list DC1-PREFIXES
    password clisco123
    advanced
      channel-unreachable-timer 4
    enterprise-prefix prefix-list ENTERPRISE-PREFIXES
    collector 10.4.48.36 port 9991

```

Step 2: Create the hub MC policy.

```

domain [name]
vrf [name]
  master hub (configure the hub MC with additional commands)
    load-balance (load balance the traffic not specified in a class)
    class [name] sequence [value] (repeat for each class)
      match dscp [value] policy [name] (repeat for each dscp value)
      path-preference [primary] fallback [secondary] (path names)

```

Example

The policies use the PfR predefined templates. The path preference for voice, real time video and low latency data is to use MPLS1 unless the delay, jitter, and loss values on the path fall outside the values specified in the templates. The bulk data and default classes use INET1 with fallback to MPLS1 and the scavenger class uses INET1 with fallback to blackhole. The rest of the traffic will be load-balanced between the two paths.

Tech Tip

With this recommended policy, PfR does not manage Internetwork Control (DSCP CS6) traffic. CS6 traffic should always follow the normal routing path.


```
domain iwan
vrf default
  master hub
  load-balance
  class VOICE sequence 10
    match dscp ef policy voice
    path-preference MPLS1 fallback INET1
  class REAL_TIME_VIDEO sequence 20
    match dscp cs4 policy real-time-video
    match dscp af41 policy real-time-video
    match dscp af42 policy real-time-video
    match dscp af43 policy real-time-video
    path-preference MPLS1 fallback INET1
  class LOW_LATENCY_DATA sequence 30
    match dscp cs2 policy low-latency-data
    match dscp cs3 policy low-latency-data
    match dscp af21 policy low-latency-data
    match dscp af22 policy low-latency-data
    match dscp af23 policy low-latency-data
    path-preference MPLS1 fallback INET1
  class BULK_DATA sequence 40
    match dscp af11 policy bulk-data
    match dscp af12 policy bulk-data
    match dscp af13 policy bulk-data
    path-preference INET1 fallback MPLS1
  class SCAVENGER sequence 50
    match dscp cs1 policy scavenger
    path-preference INET1 fallback blackhole
  class DEFAULT sequence 60
    match dscp default policy best-effort
    path-preference INET1 fallback MPLS1
```

Procedure 4 Configure PfR domain in the hub BR

The hub BRs are also the DMVPN hub WAN aggregation routers for the network. The PfRv3 configurations for standalone BRs are much simpler because they dynamically learn their policy information from the hub MC. The hub BR routers are also used to advertise the path names and path-ids specified in the hub MC configuration.

There is an optional feature called zero-SLA that reduces the probing to the only default class by muting the other DSCP probes. This feature is useful on Internet connections where nothing is guaranteed. Zero-SLA reduces bandwidth usage on metered interfaces like 4G LTE or other Internet connections with a monthly data cap limit.

Tech Tip

If you want to add the zero-SLA feature to an existing hub BR, you must shutdown the DMVPN tunnel interface before configuring. After the feature is added to the hub BR, bring the tunnel interface back up.

Table 57 Hub BR path and IP addresses

Host name	Path	Path ID	Loopback IP address	Zero SLA
HY-MPLS1-ASR1002X-1	MPLS1	1	10.6.32.241/32	No
HY-INET1-ASR1002X-2	INET1	2	10.6.32.242/32	Yes (optional)

Step 1: Create the hub BR domain.

```
domain [name]
vrf [name]
border (create the BR)
source-interface [interface]
master [IP address of local MC]
password [password of hub MC]
```

Example

```
domain iwan
vrf default
border
source-interface Loopback0
master 10.6.32.251
password cisco123
```

Step 2: Add the path names and path-ids to the tunnel interfaces of the hub BR.

```
interface Tunnel [value]
  domain [name] path [name] path-id [number] zero-sla
```

Example

This example is the primary hub BR using Tunnel 10 with MPLS as the provider.

```
interface Tunnel10
  domain iwan path MPLS1 path-id 1
```

(Optional) This example is the secondary hub BR using Tunnel 11 with INET as the provider and the zero-sla feature. If this is an existing configuration, you shut down the interface, add the zero SLA feature, and then bring the interface back up.

```
interface Tunnel11
  shutdown
  domain iwan path INET1 path-id 2 zero-sla
  no shutdown
```

Step 3: Verify the border is operational by using the **show domain [name] border status** command.

This example shows the primary hub BR of the IWAN hybrid model with MPLS as the provider. There is only one external WAN interface because the second path is on the secondary hub BR, which is reachable via the Tunnel 0 interface at IP address 10.6.32.242.

```

HY-MPLS1-ASR1002X-1#show domain iwan border status
Fri Sep 16 08:10:09.866
-----
**** Border Status ****
Instance Status: UP
Present status last updated: 1w0d ago
Loopback: Configured Loopback0 UP (10.6.32.241)
Master: 10.6.32.251
Master version: 2
Connection Status with Master: UP
MC connection info: CONNECTION SUCCESSFUL
Connected for: 3d20h
External Collector: 10.4.48.36 port: 9991
Route-Control: Enabled
Asymmetric Routing: Disabled
Minimum Mask length: 28
Sampling: off
Channel Unreachable Threshold Timer: 4 seconds
Minimum Packet Loss Calculation Threshold: 15 packets
Minimum Byte Loss Calculation Threshold: 1 bytes
Monitor cache usage: 100000 (20%) Auto allocated
Minimum Requirement: Met
External Wan interfaces:
  Name: Tunnel10 Interface Index: 18 SNMP Index: 13 SP: MPLS1 path-id: 1
  Status: UP Zero-SLA: NO Path of Last Resort: Disabled

Auto Tunnel information:

  Name:Tunnell1 if_index: 20
  Virtual Template: Not Configured
  Borders reachable via this tunnel: 10.6.32.242

```

Step 4: Repeat this procedure for each hub BR by using the appropriate path name and path-id.

Procedure 5 Verify PfR domain is operational on the hub MC

The PfR path names and path-ids are automatically discovered at the remote site routers from the configuration entered into the tunnel interfaces at the hub site. The hub MC uses the path names and path-ids to determine where traffic should be sent according to its policies.

Step 1: Verify the domain is operational from the hub MC using the **show domain [name] master status** command.

This example shows the hub MC of the IWAN hybrid model in an operational state. The hub BRs are both connected and using their respective Tunnel interfaces as the exits for the hub location.

```
HY-MC-CSR1000v-1#show domain iwan master status
*** Domain MC Status ***
Master VRF: Global
Instance Type: Hub
Instance id: 0
Operational status: Up
Configured status: Up
Loopback IP Address: 10.6.32.251
Global Config Last Publish status: Peering Success
Load Balancing:
Admin Status: Enabled
Operational Status: Up
Enterprise top level prefixes configured: 1
Max Calculated Utilization Variance: 0%
Last load balance attempt: never
Last Reason: Variance less than 20%
Total unbalanced bandwidth:
    External links: 0 Kbps  Internet links: 0 Kbps
External Collector: 10.4.48.36 port: 9991
Route Control: Enabled
Transit Site Affinity: Enabled
Load Sharing: Enabled
Mitigation mode Aggressive: Disabled
Policy threshold variance: 20
Minimum Mask Length: 28
Syslog TCA suppress timer: 180 seconds
```

```

Traffic-Class Ageout Timer: 5 minutes
Channel Unreachable Threshold Timer: 4 seconds
Minimum Packet Loss Calculation Threshold: 15 packets
Minimum Bytes Loss Calculation Threshold: 1 bytes
Borders:
  IP address: 10.6.32.241
  Version: 2
  Connection status: CONNECTED (Last Updated 3d20h ago )
  Interfaces configured:
    Name: Tunnel10 | type: external | Service Provider: MPLS1 path-id:1 |
    Status: UP | Zero-SLA: NO | Path of Last Resort: Disabled
      Number of default Channels: 0
    Tunnel if: Tunnel1
    IP address: 10.6.32.242
    Version: 2
    Connection status: CONNECTED (Last Updated 3d20h ago )
    Interfaces configured:
      Name: Tunnel11 | type: external | Service Provider: INET1 path-id:2 |
      Status: UP | Zero-SLA: YES | Path of Last Resort: Disabled
        Number of default Channels: 0
      Tunnel if: Tunnel0

```

PROCESS

Configuring PfR for Remote Site Locations

1. Verify IP connectivity to hub MC loopback interface
2. Configure PfR in the primary remote site router
3. Configure PfR in the secondary remote site router
4. Verify PfR traffic classes are controlled

Remote sites are discovered using peering. Each remote site MC peers with the hub MC. The remote site MC advertises local site information and learns information about every other site. Prefixes specific to sites are advertised along with the site-id. The site-prefix to site-id mapping is used in monitoring and optimization. This mapping is also used for creating reports for specific sites.

WAN interfaces at each site are discovered using a special probing mechanism referred to as smart probes. This further reduces provisioning on the remote sites. The WAN interface discovery also creates mapping of the interface to a particular service provider. The mapping is used in monitoring and optimization. It can also be used to draw the WAN topology in an NMS GUI like Cisco Prime Infrastructure or LiveAction LiveNX.

Procedure 1 Verify IP connectivity to hub MC loopback interface

PfRv3 requires loopback interfaces for the peering traffic between the BR and MC routers. For this design, you put the hub MC loop back interface into the subnet range of the hub location. The following table shows the loopback addresses for the hub MC.

Table 58 Hub MC loopback IP addresses

IWAN design model	Loopback 0 IP address
Hybrid–Hub MC	10.6.32.251
Dual Internet–Hub MC	10.6.32.252

Each remote site must have a route to the hub MC in the EIGRP topology table over each exit path. You can have more than two paths. You can also have two routes and Equal Cost Multiple Paths.

Step 1: Verify that there are at least two available paths to the loopback 0 interface on the hub MC from each remote site router by using the **show ip eigrp topology** command.

This example shows there are two available paths to the hub MC (10.6.32.251) using summarized routes (10.6.0.0/16) from the hub border routers in the IWAN hybrid design model. The internal tags are from the DM-VPN hub configurations configured previously in this design guide. The first path is the one shown in the IP routing table because the bandwidth is higher than the feasible successor listed second.

```
RS11-2921# show ip eigrp topology 10.6.0.0 255.255.0.0
EIGRP-IPv4 VR(IWAN-EIGRP) Topology Entry for AS(400)/ID(10.255.241.11) for
10.6.0.0/16
  State is Passive, Query origin flag is 1, 1 Successor(s), FD is 657626453, RIB
is 5137706
  Descriptor Blocks:
  10.6.34.1 (Tunnel10), from 10.6.34.1, Send flag is 0x0
    Composite metric is (657626453/163840), route is Internal
  Vector metric:
    Minimum bandwidth is 200000 Kbit
    Total delay is 10001250000 picoseconds
    Reliability is 255/255
    Load is 1/255
    Minimum MTU is 1400
    Hop count is 1
    Originating router is 10.6.32.241
    Internal tag is 101
  10.6.36.1 (Tunnel11), from 10.6.36.1, Send flag is 0x0
```

```

Composite metric is (1314078720/163840), route is Internal
Vector metric:
  Minimum bandwidth is 500000 Kbit
  Total delay is 20001250000 picoseconds
  Reliability is 255/255
  Load is 1/255
  Minimum MTU is 1400
  Hop count is 1
  Originating router is 10.6.32.242
  Internal tag is 102

```

Procedure 2 Configure PfR in the primary remote site router

Each remote site must have a branch MC and branch BR configured. At dual-router sites it is recommended that you configure the primary router as both an MC and BR and the secondary router as only a BR.

The domain name, VRF, and password must match the hub MC configuration. Use the loopback 0 interface as the source. Configure the hub MC IP address.

Step 1: If you are not on the router console port, turn on terminal monitoring with the **terminal monitor** command from the global command line interface.

```
terminal monitor
```

Step 2: Create the branch MC domain.

```

domain [name]
vrf [name]
  master branch (create the branch MC)
  source-interface [interface]
  Password [password]
  hub [IP address of hub MC]

```

Example

This example configures the branch MC and points to the IP address of the hub MC in the IWAN hybrid design model.

```

domain iwan
vrf default
  master branch
  source-interface Loopback0
  password cisco123
  hub 10.6.32.251

```


Step 3: After approximately two minutes, the console displays an EIGRP SAF message similar to the one below, which indicates the branch MC has created an adjacency with the loopback interface of the hub MC.

```
Sep 16 14:16:00.389: %DUAL-5-NBRCHANGE: EIGRP-SFv4 59501: Neighbor 10.6.32.251  
(Loopback0) is up: new adjacency
```

Step 4: Verify the PfR policy from the hub MC has been propagated to the branch MC by using the **show domain [name] master policy** command.

The output from this command should look the same as the output on the hub MC.

Step 5: Enable the BR function.

```
domain [name]  
vrf [name]  
border (create the border)  
source-interface [interface]  
master [local] (local keyword means this router)  
password [password]
```

Example

This example configures the branch BR and points it to the local branch MC, which is running on the same router platform.

```
domain iwan  
vrf default  
border  
source-interface Loopback0  
master local  
password cisco123
```

Step 6: After approximately thirty seconds, the console displays a line protocol up/down message similar to the one below, which indicates the automatically generated tunnel interface has been created.

```
Sep 16 14:31:26.317: %LINEPROTO-5-UPDOWN: Line protocol on Interface Tunnell,  
changed state to up
```

Step 7: Verify that the branch BR is operational by using the **show domain [name] border status** command.

This example shows the branch BR operational in the IWAN hybrid model and the external WAN interfaces are up.

```
RS11-2921# show domain iwan border status
Fri Sep 16 14:38:45.911
-----
****Border Status****
Instance Status: UP
Present status last updated: 1w4d ago
Loopback: Configured Loopback0 UP (10.255.241.11)
Master: 10.255.241.11
Connection Status with Master: UP
MC connection info: CONNECTION SUCCESSFUL
Connected for: 1w4d
Route-Control: Enabled
Minimum Mask length: 28
Sampling: off
Minimum Requirement: Met
External Wan interfaces:
  Name: Tunnel10 Interface Index: 15 SNMP Index: 12 SP:MPLS1 Status: UP
  Name: Tunnel11 Interface Index: 16 SNMP Index: 13 SP:INET1 Status: UP

Auto Tunnel information:

  Name:Tunnel0 if_index: 25
```

Step 8: Verify that the branch MC is operational by using the **show domain [name] master status** command.

Procedure 3 Configure PfR in the secondary remote site router

Use this procedure only when there is a secondary remote site router. If you have a single router at a remote location, skip this procedure.

PfRv3 requires loopback interfaces for the peering traffic between the BR and MC routers. For this design, you put the hub MC loop back interface into the subnet range of the hub location.

Each remote site must have a route to the hub MC in the EIGRP topology table over each exit path. You can have more than two paths. You can also have two routes and Equal Cost Multiple Paths.

Step 1: Verify that there are at least two available paths to the loopback 0 interface on the hub MC from each remote site router by using the **show ip eigrp topology** command.

This example shows there are two available paths to the hub MC (10.6.32.251) in the IWAN hybrid design model from the secondary router at a remote site. The internal tags are from the DMVPN hub configurations configured previously in this design guide. The first path is through the port-channel2.99 interface, which is the transit network between the primary router and the secondary router in a dual-router configuration.

```
RS12-2911-2# show ip eigrp topology 10.6.32.251 255.255.255.255
EIGRP-IPv4 VR(IWAN-EIGRP) Topology Entry for AS(400)/ID(10.255.242.12) for
10.6.32.251/32
  State is Passive, Query origin flag is 1, 1 Successor(s), FD is 3310960640,
  RIB is 25866880
  Descriptor Blocks:
  10.7.16.9 (Port-channel2.99), from 10.7.16.9, Send flag is 0x0
    Composite metric is (3310960640/3310632960), route is Internal
  Vector metric:
    Minimum bandwidth is 10000 Kbit
    Total delay is 50021250000 picoseconds
    Reliability is 255/255
    Load is 1/255
    Minimum MTU is 1400
    Hop count is 4
    Originating router is 10.6.32.251
    Internal tag is 101
  10.6.36.1 (Tunnel11), from 10.6.36.1, Send flag is 0x0
    Composite metric is (3343400960/1720320), route is Internal
  Vector metric:
    Minimum bandwidth is 30000 Kbit
    Total delay is 50016250000 picoseconds
    Reliability is 255/255
    Load is 1/255
    Minimum MTU is 1400
    Hop count is 3
    Originating router is 10.6.32.251
    Internal tag is 102
```

Step 2: Enable the BR function.

```
domain [name]
vrf [name]
  border (create the border)
    source-interface [interface]
    master [IP address of branch MC]
    Password [password]
```

Example

This example configures the branch BR and points it to the branch MC, which is running on the primary remote site router.

```
domain iwan
vrf default
  border
    source-interface Loopback0
    master 10.255.241.12
    password cisco123
```

Step 3: After approximately thirty seconds, the console displays several EIGRP messages and a line protocol up/down message similar to the ones below. These messages indicate the branch BR has neighbored with the branch MC and automatically generated the tunnel interface from the loopback of the branch BR to the loopback of the branch MC.

```
Sep 16 16:09:11.202: %DUAL-5-NBRCHANGE: EIGRP-SFv4 59501: Neighbor 10.7.18.2
(Port-channel2.64) is up: new adjacency
Sep 16 16:09:11.202: %DUAL-5-NBRCHANGE: EIGRP-SFv4 59501: Neighbor 10.7.19.2
(Port-channel2.69) is up: new adjacency
Sep 16 16:09:11.202: %DUAL-5-NBRCHANGE: EIGRP-SFv4 59501: Neighbor 10.255.241.12
(Loopback0) is up: new adjacency
Sep 16 16:09:11.690: %DUAL-5-NBRCHANGE: EIGRP-SFv4 59501: Neighbor 10.7.16.9
(Port-channel2.99) is up: new adjacency
Sep 16 16:09:12.174: %LINEPROTO-5-UPDOWN: Line protocol on Interface Tunnel0,
changed state to up
```

Step 4: Verify that the branch BR is operational by using the **show domain [name] border status** command.

Step 5: Repeat Procedure 1 through Procedure 3 for each remote site in your network.

Procedure 4 Verify PfR traffic classes are controlled

The final procedure is to verify that the configured and default traffic classes are controlled by the MC at the hub and branch locations.

Step 1: With traffic flowing over the WAN, verify that the PfR traffic classes are controlled in the outbound direction on the hub MC by using the **show domain [name] master traffic-classes summary** command. This example shows the traffic classes are controlled as signified by the CN in the State column. The default class is load-balanced between the MPLS and INET paths across the network. This example is truncated due to the overall length.

```
HY-MC-CSR1000v-1# show domain iwan master traffic-classes summary
```

```
APP - APPLICATION, TC-ID - TRAFFIC-CLASS-ID, APP-ID - APPLICATION-ID
```

```
SP - SERVICE PROVIDER, PC = PRIMARY CHANNEL ID,
```

```
BC - BACKUP CHANNEL ID, BR - BORDER, EXIT - WAN INTERFACE
```

```
UC - UNCONTROLLED, PE - PICK-EXIT, CN - CONTROLLED, UK - UNKNOWN
```

Dst-Site-Pfx BC	Dst-Site-Id BR/EXIT	APP	DSCP	TC-ID	APP-ID	State	SP	PC/
10.7.83.0/24 10131/NA	10.255.241.2N/A 10.6.32.242/Tunnel11		cs3	7632	N/A	CN	INET1	
10.255.241.21/32 3643/10128	10.255.241.2N/A 10.6.32.241/Tunnel10		default	12063	N/A	CN	MPLS1	
10.7.82.0/24 10130/NA	10.255.241.2N/A 10.6.32.242/Tunnel11		default	7656	N/A	CN	INET1	
10.7.18.13/32 10126/NA	10.255.241.1N/A 10.6.32.242/Tunnel11		default	7646	N/A	CN	INET1	
10.255.241.12/32 10126/NA	10.255.241.1N/A 10.6.32.242/Tunnel11		default	7651	N/A	CN	INET1	
10.7.2.0/24 3638/NA	10.255.241.1N/A 10.6.32.241/Tunnel10		default	7636	N/A	CN	MPLS1	
10.7.2.0/24 3650/10125	10.255.241.1N/A 10.6.32.241/Tunnel10		42	7633	N/A	CN	MPLS1	
10.255.242.42/32 10140/NA	10.255.241.4N/A 10.6.32.242/Tunnel11		default	7653	N/A	CN	INET1	
10.7.195.0/24 10138/NA	10.255.241.4N/A 10.6.32.242/Tunnel11		default	15340	N/A	CN	INET1	
10.7.195.0/24 3654/NA	10.255.241.4N/A 10.6.32.241/Tunnel10		cs3	7640	N/A	CN	MPLS1	
10.7.18.0/24 10126/NA	10.255.241.1N/A 10.6.32.242/Tunnel11		default	7638	N/A	CN	INET1	
10.255.242.12/32 10126/NA	10.255.241.1N/A 10.6.32.242/Tunnel11		default	17896	N/A	CN	INET1	
10.255.241.41/32 10138/NA	10.255.241.4N/A 10.6.32.242/Tunnel11		default	7623	N/A	CN	INET1	

Step 2: With traffic flowing over the WAN, verify that the PfR traffic classes are controlled in the outbound direction on one of the branch MC routers by using the **show domain [name] master traffic-classes dscp** command.

This example shows a video call is taking place from remote site RS11 to the HQ location. The traffic class is controlled, as signified by the Present State row. The INTERACTIVE-VIDEO, with a DSCP of AF41 (34), is in-policy and using the MPLS path. The traffic class has a valid backup channel, which means the INET path is available if the primary path falls out of policy.

```
RS11-2921# show domain iwan master traffic-classes dscp af41

Dst-Site-Prefix: 10.4.0.0/16          DSCP: af41 [34] Traffic class id:304
TC Learned:                          00:00:31 ago
Present State:                        CONTROLLED
Current Performance Status:           in-policy
Current Service Provider:             MPLS1 since 00:00:01 (hold until 88 sec)
Previous Service Provider:            Unknown
BW Used:                              416 Kbps
Present WAN interface:                Tunnel10 in Border 10.255.241.11
Present Channel (primary):            312
Backup Channel:                       313
Destination Site ID:                 10.6.32.251
Class-Sequence in use:                20
Class Name:                           INTERACTIVE-VIDEO using policy real-time-video
BW Updated:                           00:00:01 ago
Reason for Route Change:              Uncontrolled to Controlled Transition
-----
```

Step 3: After introducing loss into the MPLS path, verify that the protected traffic class is moved to the backup INET path by using the **show domain [name] master traffic-classes dscp** command.

This example shows the INTERACTIVE-VIDEO class, with a DSCP of AF41 (34), using the backup INET path. The branch MC has moved the traffic due to packet loss of greater than 1%. The traffic is considered in-policy because it has already been moved to the INET path where there is no loss occurring.

```
RS11-2921# show domain iwan master traffic-classes dscp af41
```

```
Dst-Site-Prefix: 10.4.0.0/16          DSCP: af41 [34] Traffic class id:303
TC Learned:                          00:25:40 ago
Present State:                        CONTROLLED
Current Performance Status: in-policy
Current Service Provider: INET1 since 00:01:09
Previous Service Provider: INET1 for 180 sec
(A fallback provider. Primary provider will be re-evaluated 00:02:53 later)
BW Used:                              414 Kbps
Present WAN interface: Tunnel11 in Border 10.255.241.11
Present Channel (primary): 311
Backup Channel:                       310
Destination Site ID:                 10.6.32.251
Class-Sequence in use:               10
Class Name:                          INTERACTIVE-VIDEO using policy real-time-video
BW Updated:                          00:00:10 ago
Reason for Route Change: Loss
```

PROCESS

Configuring Hub Master Controller High Availability

1. Copy the configuration from existing router to the new router
2. Configure the loopback interfaces on the original hub MC
3. Configure the router-id on original hub MC
4. Configure the loopback interfaces
5. Configure connectivity to the LAN
6. Configure the routing protocol for the LAN
7. Test the failover from the primary hub MC

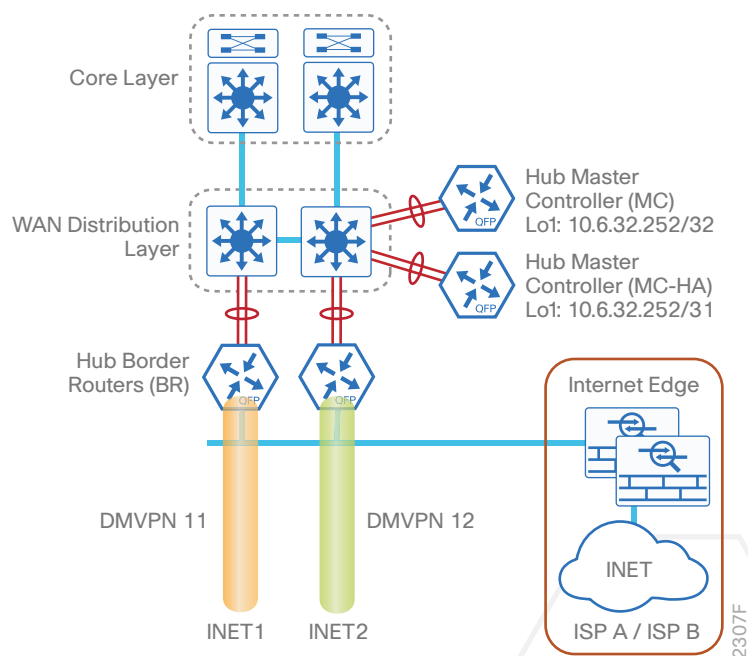
Use this optional process if you want to deploy a second hub MC for high availability (HA) using IP Anycast. Skip this process if you do not want to add HA to your hub MC.

This concept works with all of the IWAN design models, and it can be used with any standalone master controller, such as a transit master controller at a second data center or a standalone branch MC at a large remote site.

For this process, you configure a second hub MC with the same base configuration as the first one. You have to make a few minor changes to allow it to take over when the first hub MC goes offline. The two hub MCs must be kept in sync manually, but the failover will occur automatically within a few minutes depending on the size of your IWAN implementation.

The following diagram shows the hub MC HA and where it fits into the IWAN dual Internet design model.

Figure 14 IWAN dual Internet design model—Hub MC high availability



To accommodate the use of loopback0 for managing both hub MCs when they are active, it is recommended you create a new loopback1 for PfR. If you have already deployed IWAN, it is easier to continue to use the IP address for PfR and use different IP addresses for loopback0.

The table below shows the two new loopback0 IP addresses for each device. The pair of hub MCs have the same loopback 1 IP address, except for the network mask. The second hub MC uses a /31 mask, which makes it a less desirable choice by the adjacent router's routing table unless the first hub MC is no longer reachable. The loopback0 and port channel IP addresses are unique.

Table 59 Hub MC IP addresses

IWAN design model	Host name	Loopback0 IP address (Mgmt)	Loopback1 IP address (PfR)	Port-channel IP address
Dual Internet	DI-MC-ASR1004-1	10.6.32.253/32	10.6.32.252/32	10.6.32.163/26
Dual Internet	DI-MC-ASR1004-2	10.6.32.254/32	10.6.32.252/31	10.6.32.164/26

Follow the process “Configuring Hub Master Controller” and the first three procedures of the process “Configuring PfR for Hub Location” using the base PfR information from the first hub MC. Make the required changes from the procedures below in order to enable hub MC HA in the IWAN domain.

Procedure 1 Copy the configuration from existing router to the new router

Optional

If the hardware for the second hub MC is identical to the first, you can use this optional procedure to copy the configuration file from one router to the other as a starting point, and then follow the procedures below. Skip this procedure if you do not want to copy the configuration from an existing router.

Step 1: Copy the running configuration from an existing router to your FTP server.

```
DI-MC-ASR1004-1# copy running-config ftp://cisco:cisco@10.4.48.27
Address or name of remote host [10.4.48.27]?
Destination filename [di-mc-asr1004-1-config]?
Writing di-mc-asr1004-1-config !
6175 bytes copied in 0.700 secs (8821 bytes/sec)
```

Step 2: From the console of the new hub MC, copy and paste the configuration into the router before making the changes below.

You can also make the changes below in a text editor before pasting the configuration into the router.

Procedure 2 Configure the loopback interfaces on the original hub MC

In this procedure, you configure system settings on the original hub MC to accommodate the new hub MC HA.

Step 1: Change the IP address of the in-band management interface.

The loopback interface is a logical interface that is always reachable as long as the device is powered on and any IP interface is reachable to the network.

The loopback address is commonly a host address with a 32-bit address mask.

```
interface Loopback0
  description Device Management Loopback
  ip address 10.6.32.253 255.255.255.255
```

Step 2: Configure the IP address of the PfR loopback interface.

Use the original IP address of the loopback0 interface for PfR in order to avoid changing the hub master configuration for all of the hub BR and remote site routers.

Increase the **hold-queue in** and **hold-queue out** to a queue length of 1024 on the loopback interface to allow the RTP application-table to be properly exported using Flexible Net Flow.

```
interface Loopback1
  description PfR Loopback w/ IP Anycast
  ip address 10.6.32.252 255.255.255.255
  hold-queue 1024 in
  hold-queue 1024 out
```

Procedure 3 Configure the router-id on original hub MC

In this procedure, you configure system settings on the original hub MC to accommodate the new hub MC HA.

If you are planning to use EIGRP, choose option 1. If you are planning to use BGP on the WAN and OSPF on the LAN, choose option 2.

Option 1: EIGRP router-id

This design uses a best practice of assigning the router ID to a loopback address, so the router-id will have to be changed on the original hub MC to the new loopback0 address.

Step 1: Change the EIGRP router-id on the original hub MC.

```
router eigrp IWAN-EIGRP
  address-family ipv4 unicast autonomous-system 400
    eigrp router-id 10.6.32.253
  exit-address-family
```

Option 2: OSPF router-id

This design uses a best practice of assigning the router ID to a loopback address, so the router-id will have to be changed on the original hub MC to the new loopback0 address.

Step 1: Change the OSPF router-id on the original hub MC.

```
router ospf 100
  router-id 10.6.32.253
```

Procedure 4 Configure the loopback interfaces

In this procedure and the ones following, you configure system settings that are unique to the new hub MC HA.

Step 1: Configure the IP address of the in-band management interface.

The loopback interface is a logical interface that is always reachable as long as the device is powered on and any IP interface is reachable to the network.

The loopback address is commonly a host address with a 32-bit address mask.

```
interface Loopback0
  description Device Management Loopback
  ip address 10.6.32.254 255.255.255.255
```

Step 2: Configure the IP address of the PfR loopback interface.

Use the original IP address of the loopback0 interface for PfR in order to avoid changing the hub master configuration for all of the hub BR and remote site routers. Change the network mask to a /31 for IP anycast.

Increase the **hold-queue in** and **hold-queue out** to a queue length of 1024 on the loopback interface to allow the RTP application-table to be properly exported using Flexible Net Flow.

```
interface Loopback1
  description PfR Loopback w/ IP Anycast
  ip address 10.6.32.252 255.255.255.254
  hold-queue 1024 in
  hold-queue 1024 out
```

Procedure 5 Configure connectivity to the LAN

Any links to adjacent distribution layers should be Layer 3 links or Layer 3 EtherChannels. Choose a unique port-channel interface from the LAN switch perspective and an IP address that is different from the first hub MC.

Step 1: Configure a Layer 3 interface.

```
interface Port-channel23
  description IW-WAN-D3750X
  ip address 10.6.32.164 255.255.255.192
  no shutdown
```

Step 2: Configure EtherChannel member interfaces.

Configure the physical interfaces to tie to the logical port-channel by using the **channel-group** command. The number for the port-channel and channel-group must match. Not all router platforms can support LACP to negotiate with the switch, so EtherChannel is configured statically.

```
interface GigabitEthernet0/0/0
  description IW-WAN-D3750X Gig1/0/14

interface GigabitEthernet0/0/1
  description IW-WAN-D3750X Gig2/0/14

interface range GigabitEthernet0/0/0, GigabitEthernet0/0/1
  no ip address
  cdp enable
  channel-group 23
  no shutdown
```

Procedure 6 Configure the routing protocol for the LAN

If you are planning to use EIGRP, choose option 1. If you are planning to use BGP on the WAN and OSPF on the LAN, choose option 2.

Option 1: EIGRP on the LAN

Step 1: Configure IP unicast routing using EIGRP named mode.

This design uses a best practice of assigning the router ID to a loopback address.

```
router eigrp IWAN-EIGRP
  address-family ipv4 unicast autonomous-system 400
    eigrp router-id 10.6.32.254
  exit-address-family
```

Step 2: Configure the EIGRP interface.

Allow EIGRP to form neighbor relationships across the interface in order to establish peering adjacencies and exchange route tables. In this step, you configure EIGRP authentication by using the authentication key specified in the previous procedure.

```
router eigrp IWAN-EIGRP
  address-family ipv4 unicast autonomous-system 400
    af-interface Port-channel23
      no passive-interface
      authentication mode md5
      authentication key-chain LAN-KEY
    exit-af-interface
  exit-address-family
```

Option 2: OSPF on the LAN

Step 1: Configure OSPF Area 0 by using the loopback interface IP address as the router-id.

```
router ospf 100
  router-id 10.6.32.254
```

Step 2: Remove passive interface for the LAN interface.

```
router ospf 100
  no passive-interface Port-channel23
```

Procedure 7 Test the failover from the primary hub MC

Optional

Use this optional procedure if you want to test the failover to the second hub MC. Skip this procedure if you do not want to test the HA functionality of your hub MC.

During a primary hub MC failure, the remote site will register with the hub MC HA as soon as the branch MC sends the next set of smart probes. The branch MC will continue to use the existing PfR policies until the switchover occurs. If you follow the procedures outlined above, the hub MC HA policy will be identical to the primary hub MC policy.

Step 1: To monitor the progress, log into the second hub MC HA from the console port or using SSH.

Step 2: If you plan to use SSH, turn on console monitoring with **terminal monitor**.

```
DI-MC-ASR1004-2#terminal monitor
```

Step 3: From the console port of primary hub MC, turn off the port-channel interface to the LAN to simulate a failure.

```
DI-MC-ASR1004-1#configure terminal
```

```
Enter configuration commands, one per line. End with CNTL/Z.
```

```
DI-MC-ASR1004-1 (config)#interface Port-channel22
```

```
DI-MC-ASR1004-1 (config-if)#shut
```

Step 4: From the second hub MC HA, you will see the following messages when the hub BRs and branch MCs register to the backup MC. Depending on the size of the IWAN domain, this step can take several minutes to complete.

```
DI-MC-ASR1004-2#
```

```
Sep 16 13:25:26.375: %DUAL-5-NBRCHANGE: EIGRP-IPv4 400: Neighbor 10.6.32.163  
(Port-channel23) is down: holding time expired
```

```
10.255.246.43 (Loopback0) is up: new adjacency
```

```
Sep 16 13:26:37.629: %DUAL-5-NBRCHANGE: EIGRP-SFv4 59501: Neighbor 10.6.32.247  
(Loopback0) is up: new adjacency
```

```
Sep 16 13:27:00.748: %DUAL-5-NBRCHANGE: EIGRP-SFv4 59501: Neighbor 10.255.246.13  
(Loopback0) is up: new adjacency
```

```
Sep 16 13:27:04.580: %DUAL-5-NBRCHANGE: EIGRP-SFv4 59501: Neighbor 10.6.32.246  
(Loopback0) is up: new adjacency
```

```
Sep 16 13:27:20.402: %DUAL-5-NBRCHANGE: EIGRP-SFv4 59501: Neighbor 10.255.246.44  
(Loopback0) is up: new adjacency
```

```
Sep 16 13:27:23.259: %DUAL-5-NBRCHANGE: EIGRP-SFv4 59501: Neighbor 10.255.246.14  
(Loopback0) is up: new adjacency
```

Step 5: After the messages stop, confirm that the second hub MC is acting as the hub MC with **show domain [domain name] master status**.

```
DI-MC-ASR1004-2#show domain iwan2 master status
*** Domain MC Status ***
Master VRF: Global
Instance Type:      Hub
Instance id:        0
Operational status: Up
Configured status:  Up
Loopback IP Address: 10.6.32.252
Global Config Last Publish status: Peering Success
Load Balancing:
  Admin Status: Enabled
  Operational Status: Up
  Enterprise top level prefixes configured: 1
  Max Calculated Utilization Variance: 0%
  Last load balance attempt: never
  Last Reason:  Variance less than 20%
  Total unbalanced bandwidth:
    External links: 0 Kbps  Internet links: 0 Kbps
External Collector: 10.4.48.36 port: 9991
Route Control: Enabled
Transit Site Affinity: Enabled
Load Sharing: Enabled
Mitigation mode Aggressive: Disabled
Policy threshold variance: 20
Minimum Mask Length: 28
Syslog TCA suppress timer: 180 seconds
Traffic-Class Age out Timer: 5 minutes
Channel Unreachable Threshold Timer: 4 seconds
Minimum Packet Loss Calculation Threshold: 15 packets
Minimum Bytes Loss Calculation Threshold: 1 bytes
Borders:
  IP address: 10.6.32.246
  Version: 2
  Connection status: CONNECTED (Last Updated 00:00:54 ago )
```

Interfaces configured:

```
Name: Tunnel20 | type: external | Service Provider: INET1 path-id:1 |  
Status: UP | Zero-SLA: NO | Path of Last Resort: Disabled
```

Number of default Channels: 0

Tunnel if: Tunnel0

IP address: 10.6.32.247

Version: 2

Connection status: CONNECTED (Last Updated 00:00:52 ago)

Interfaces configured:

```
Name: Tunnel21 | type: external | Service Provider: INET2 path-id:2 |  
Status: UP | Zero-SLA: NO | Path of Last Resort: Disabled
```

Number of default Channels: 0

Tunnel if: Tunnel0

After you have verified that the second hub MC is operational, log into the primary hub MC to bring it back online.

Step 6: From the console port of the primary hub MC, turn on the port-channel interface to the LAN.

```
DI-MC-ASR1004-1#configure terminal
```

Enter configuration commands, one per line. End with CNTL/Z.

```
DI-MC-ASR1004-1 (config) #interface Port-channel22
```

```
DI-MC-ASR1004-1 (config-if) #no shut
```


PROCESS

Configuring Hub Border Router Scalability

1. Copy the configuration from existing router to the new router
2. Configure the hub BR platform
3. Configure connectivity to the LAN
4. Configure the routing protocol for the LAN
5. Connect to the Internet
6. Configure the mGRE tunnel
7. Configure the routing protocol for the WAN
8. Configure network address translation on the firewall
9. Configure PfR domain in the hub BR
10. Configure remote sites for additional hub BRs

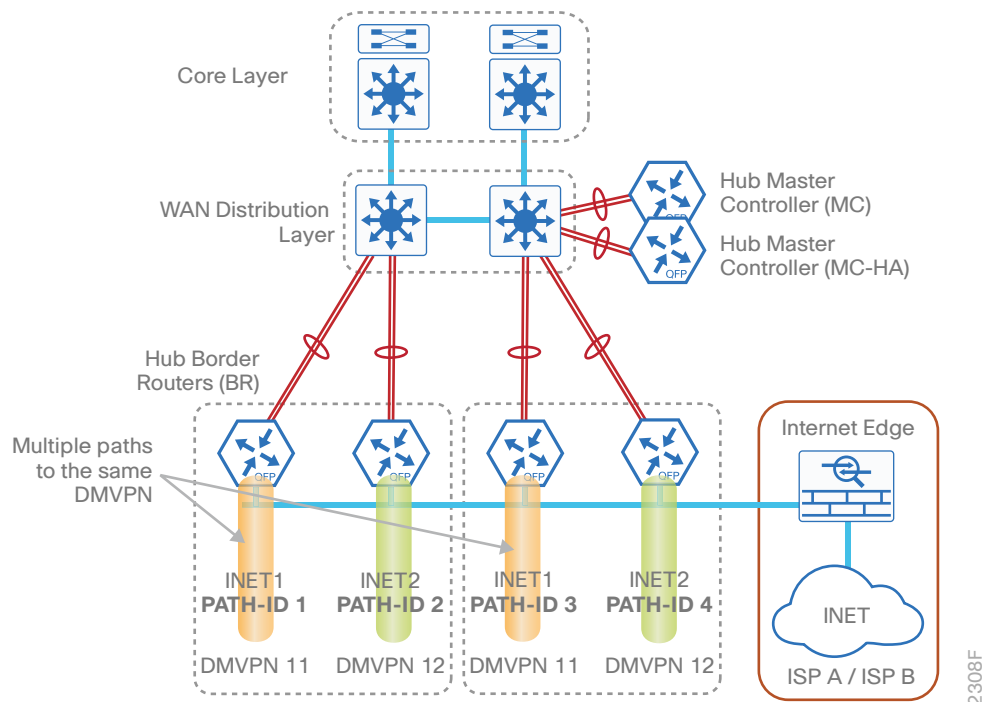
Use this optional process if you want to deploy additional hub BRs at the same location for horizontal scaling. Skip this process if you do not want to horizontally scale your hub BRs. This concept works with any of the IWAN design models.

This type of configuration offers the following benefits:

- Distribute traffic across multiple hub BRs on a single DMVPN to utilize all WAN and router capacity
- Convergence across hub BRs should only occur when all exits in a hub BR fail or reach their maximum bandwidth limits
- If the current exit to a remote site fails, converge to an alternate exit on the same (DMVPN1) network or converge to the alternate (DMVPN2) network

The following diagram shows two additional hub BRs and where they fit into the IWAN dual Internet design model.

Figure 15 IWAN dual Internet design model—Hub BR scalability



For this process, you configure two additional hub BRs with base configurations similar to the existing hub BRs. You have to make changes to the base configurations and the remote site routers in order to take advantage of the new hub BRs

The additional routers have unique path information, IP addresses, and port-channel assignments, but the rest of the configurations are the same.

Table 60 Hub BR path and IP addresses

Host name	Path	Path ID	Loopback IP address	Port-channel IP address	Internet DMZ IP address
DI-INET1-ASR1002X-11	INET1	1	10.6.32.246/32	10.6.32.42/30	192.168.146.20/24
DI-INET1-ASR1002X-12	INET2	2	10.6.32.247/32	10.6.32.46/30	192.168.146.21/24
DI-INET1-ASR1002X-11b	INET1	3	10.6.32.248/32	10.6.32.50/30	192.168.146.22/24
DI-INET1-ASR1002X-12b	INET2	4	10.6.32.249/32	10.6.32.54/30	192.168.146.23/24

Follow the process “Configuring DMVPN Hub Router” using the base PfR information from the first two hub BRs. Make the required changes from the procedures below to horizontally scale your IWAN domain.

Procedure 1 Copy the configuration from existing router to the new router**Optional**

If the hardware for the corresponding hub BR is identical to the first, you can use this optional procedure to copy the configuration file from one router to the other as a starting point, and then follow the procedures below. Skip this procedure if you do not want to copy the configuration from an existing router.

Step 1: Copy the running configuration from an existing router to your FTP server.

```
DI-INET1-ASR1002X-11# copy running-config ftp://cisco:cisco@10.4.48.27
Address or name of remote host [10.4.48.27]?
Destination filename [di-inet1-asr1002x-11-config]?
Writing di-inet1-asr1002x-11-config !
13228 bytes copied in 0.7500 secs (9921 bytes/sec)
```

Step 2: From the console of the new hub BR, copy and paste the configuration into the router before making the changes below.

You can also make the changes below in a text editor before pasting the configuration into the router.

Procedure 2 Configure the hub BR platform

In this procedure, you configure system settings that are unique to the new hub BR.

Step 1: Configure the device host name to make it easy to identify the device.

```
hostname DI-INET1-ASR1002X-11b
```

Step 2: Configure an in-band management interface.

The loopback interface is a logical interface that is always reachable as long as the device is powered on and any IP interface is reachable to the network.

The loopback address is commonly a host address with a 32-bit address mask.

```
interface Loopback 0
ip address 10.6.32.248 255.255.255.255
```

Procedure 3 Configure connectivity to the LAN

Any links to adjacent distribution layers should be Layer 3 links or Layer 3 EtherChannels. Choose a unique port-channel interface from the LAN switch perspective and an IP address that is different from the other hub BRs.

Step 1: Configure a Layer 3 interface.

```
interface Port-channel13
  description IW-WAN-D3750X
  ip address 10.6.32.50 255.255.255.252
  ip pim sparse-mode
  no shutdown
```

Step 2: Configure EtherChannel member interfaces.

Configure the physical interfaces to tie to the logical port-channel by using the **channel-group** command. The number for the port-channel and channel-group must match. Not all router platforms can support LACP to negotiate with the switch, so EtherChannel is configured statically.

```
interface GigabitEthernet0/0/0
  description IW-WAN-D3750X Gig1/0/5

interface GigabitEthernet0/0/1
  description IW-WAN-D3750X Gig2/0/5

interface range GigabitEthernet0/0/0, GigabitEthernet0/0/1
  no ip address
  cdp enable
  channel-group 13
  no shutdown
```

Procedure 4 Configure the routing protocol for the LAN

The following table shows the EIGRP LAN delay in use.

Table 61 EIGRP LAN delay for IWAN hub routers

LAN Interface	EIGRP LAN Delay (10 usec)
All LAN	50000

Step 1: Configure IP unicast routing by using EIGRP named mode.

This design uses a best practice of assigning the router ID to a loopback address.

```
router eigrp IWAN-EIGRP
  address-family ipv4 unicast autonomous-system 400
    eigrp router-id 10.6.32.248
  exit-address-family
```

Step 2: Configure the EIGRP interface.

Allow EIGRP to form neighbor relationships across the interface to establish peering adjacencies and exchange route tables. In this step, you configure EIGRP authentication by using the authentication key specified in the previous procedure.

```
router eigrp IWAN-EIGRP
  address-family ipv4 unicast autonomous-system 400
    af-interface Port-channel13
      no passive-interface
      authentication mode md5
      authentication key-chain LAN-KEY
    exit-af-interface
  exit-address-family
```

Step 3: Configure the throughput delay on the LAN interface.

At the hub location where there are multiple border routers, the interface throughput delay setting should be set to influence the EIGRP routing protocol path preference.

Tech Tip

If you are using Port-channel interfaces with two Gigabit Ethernet members as recommended in this guide, you will have to double the LAN path delay to 500000 microseconds (usec), instead of the standard IWAN setting of 250000.

Set the internal LAN path to 500000 microseconds (usec). The delay command is entered in 10 usec units.

```
interface Port-channel13
  delay 50000
```

Procedure 5 Connect to the Internet

The DMVPN hub is connected through a Cisco ASA 5500 using a DMZ interface specifically created and configured for a VPN termination router.

The IP address that you use for the Internet-facing interface of the DMVPN hub router must be an Internet-routable address. There are two possible methods for accomplishing this task:

- Assign a routable IP address directly to the router.
- Assign a non-routable RFC-1918 address directly to the router and use a static NAT on the Cisco ASA 5500 in order to translate the router IP address to a routable IP address.

This design assumes that the Cisco ASA 5500 is configured for static NAT for the DMVPN hub router.

Step 1: Enable the interface, select the VRF, and assign the IP address.

```
interface GigabitEthernet0/0/3
description INET1
vrf forwarding IWAN-TRANSPORT-11
ip address 192.168.146.22 255.255.255.0
no shutdown
```

Procedure 6 Configure the mGRE tunnel

The parameters in the table below are used in this procedure. Choose the row that represents the hub BR that you are configuring. This procedure applies to the scale hub BR in the IWAN dual Internet design model.

Table 62 DMVPN tunnel parameters

Hostname	Tunnel type	Tunnel number	Tunnel IP address
DI-INET1-ASR1002X-11b	INET1	20	10.6.64.2/23
DI-INET1-ASR1002X-12b	INET2	21	10.6.66.2/23

Step 1: Configure the basic interface settings.

The tunnel number is arbitrary, but it is best to begin tunnel numbering at 10 or above, because other features deployed in this design may also require tunnels and they may select lower numbers by default.

```
interface Tunnel20
ip address 10.6.64.2 255.255.254.0
```

Step 2: Configure NHRP.

Hub BRs require an additional configuration statement in order to create an EIGRP neighbor adjacency with the other hub BR. This statement includes the NBMA definition for the DMVPN hub router tunnel endpoint.

The routing protocol relies on a multicast transport and requires that NHRP automatically add routers to the multicast NHRP mappings.

The value used for the NHS is the mGRE tunnel address for the DMVPN hub router. The NBMA entry must be set to the hub router's DMZ IP address because both of the hub routers are behind the firewall. This design uses the values shown in the following table.

Table 63 NHRP parameters

Hostname	Tunnel type	Tunnel number	Tunnel IP address	DMZ IP address
DI-INET1-ASR1002X-11	INET1	20	10.6.64.1	192.168.146.20
DI-INET1-ASR1002X-12	INET2	21	10.6.66.1	192.168.146.21
DI-INET1-ASR1002X-11b	INET1	20	10.6.64.2	192.168.146.22
DI-INET1-ASR1002X-12b	INET2	21	10.6.66.2	192.168.146.23

The two corresponding hub BRs must point at each other in order to allow an EIGRP neighbor adjacency to be formed. For the nbma address on the adjacent hub BRs, use the DMZ IP address instead of the externally routable IP address.

Example: INET1 hub border router—DI-INET1-ASR1002X-11

```
interface Tunnel20
 ip nhrp nhs 10.6.64.2 nbma 192.168.146.22 multicast
```

Example: INET1 transit border router—DI-INET1-ASR1002X-11b

```
interface Tunnel20
 ip nhrp nhs 10.6.64.1 nbma 192.168.146.20 multicast
```

Procedure 7 Configure the routing protocol for the WAN**Step 1:** Tag and filter the routes.

This design uses a single EIGRP autonomous system for the WAN and all of the WAN remote sites. Every remote site is dual-connected for resiliency. However, due to the multiple paths that exist within this topology, you must try to avoid routing loops and to prevent remote sites from becoming transit sites if WAN failures were to occur.

In this design, there are different IP subnets for each DMVPN network, and the EIGRP tags are clearly defined to help with readability and troubleshooting. When a design uses more than one data center, additional tags are required in order to identify the different DMVPN hub router locations.

The following logic is used to control the routing.

- Each DMVPN network will have an EIGRP route tag to prevent routes from being re-advertised over the other DMVPN networks at the remote sites.
- All prefixes that are advertised towards the WAN are uniquely tagged.
- All DMVPN learned WAN prefixes, except those that originate locally from a hub, are advertised towards the LAN and tagged.

Outbound distribute-lists are used to set tags on the DMVPN hub routers towards the WAN and LAN. The remote-site routers use **igrp stub-site** in order to protect against becoming transit sites.

The following tables show specific route tags in use.

Table 64 Route tag information for optional DMVPN IWAN dual Internet hub routers

DMVPN hub	DMVPN name	DMVPN prefix (tag)	Tag tunnel	Tag LAN
DI-INET1-ASR1002X-11b	DMVPN-11	201 (INET1)	201 (All routes)	201 (WAN routes)
DI-INET1-ASR1002X-12b	DMVPN-12	202 (INET2)	202 (All routes)	202 (WAN routes)

The following examples show both of the new hub BRs in the IWAN dual Internet design model.

Example: INET1 secondary hub border router—DI-INET1-ASR1002X-11b

```

route-map SET-TAG-ALL permit 10
  description Tag all routes advertised through the tunnel
  set tag 201

! All INET1 tunnel interfaces are in this IP address range
ip access-list standard DMVPN-11-SPOKES
  permit 10.6.64.0 0.0.1.255

route-map SET-TAG-DMVPN-11 permit 10
  description Tag routes sourced from DMVPN-11
  match ip route-source DMVPN-11-SPOKES
  set tag 201

route-map SET-TAG-DMVPN-11 permit 100
  description Advertise all other routes with no tag

router eigrp IWAN-EIGRP
  address-family ipv4 unicast autonomous-system 400
    topology base
    distribute-list route-map SET-TAG-DMVPN-11 out Port-channel13
    distribute-list route-map SET-TAG-ALL out Tunnel20
  
```


Example: INET2 secondary hub border router–DI-INET1-ASR1002X-12b

```

route-map SET-TAG-ALL permit 10
  description Tag all routes advertised through the tunnel
  set tag 202

! All INET2 tunnel interfaces are in this IP address range
ip access-list standard DMVPN-12-SPOKES
  permit 10.6.66.0 0.0.1.255

route-map SET-TAG-DMVPN-12 permit 10
  description Tag routes sourced from DMVPN-12
  match ip route-source DMVPN-12-SPOKES
  set tag 202

route-map SET-TAG-DMVPN-12 permit 100
  description Advertise all other routes with no tag

router eigrp IWAN-EIGRP
  address-family ipv4 unicast autonomous-system 400
    topology base
    distribute-list route-map SET-TAG-DMVPN-12 out Port-channel14
    distribute-list route-map SET-TAG-ALL out Tunnel21

```

Procedure 8 Configure network address translation on the firewall

You have to add the new hub BRs to your existing firewall configuration for network address translation.

The DMZ network uses private network (RFC 1918) addressing that is not Internet-routable, so the firewall must translate the DMZ address of the DMVPN hub router to an outside public address.

The example DMZ address to public IP address mapping is shown in the following table.

Table 65 DMVPN NAT address mapping

Hostname	DMVPN hub router DMZ address	DMVPN hub router public address (externally routable after NAT)
DI-INET1-ASR1002X-11b	192.168.146.22	172.16.140.12 (ISP-A)
DI-INET1-ASR1002X-12b	192.168.146.23	172.17.140.12 (ISP-B)

First, to simplify the configuration of the security policy, you create the External DMZ network objects that are used in the firewall policies.

Table 66 External DMZ firewall network objects

Network object name	Object type	IP address	Description
outside-dmvpn-11b-ISPa	Host	172.16.140.12	DMVPN hub router 11b on ISP A (outside)
outside-dmvpn-12b-ISPb	Host	172.17.140.12	DMVPN hub router 12b on ISP B (outside)

Step 1: Navigate to **Configuration > Firewall > Objects > Network Objects/Groups**.

Step 2: Click **Add > Network Object**.

The Add Network Object dialog box appears.

Step 3: In the **Name** box, enter the name. (Example: outside-dmvpn-11b-ISPa)

Step 4: In the **Type** list, choose **Host** or **Network**. (Example: Host)

Step 5: In the **IP Address** box, enter the address. (Example: 172.16.140.12)

Step 6: In the **Description** box, enter a useful description, and then click **OK**. (Example: DMVPN hub router 11b on ISP A)

Step 7: Repeat Step 2 through Step 6 for each object listed in the table above. If an object already exists, then skip to the next object listed in the table.

Step 8: After adding all of the objects listed, on the Network Objects/Groups pane, click **Apply**.

Next, you add a network object for the private DMZ address of the DMVPN hub router.

Table 67 Private DMZ firewall network objects

Network object name	Object type	IP address	Description
dmz-dmvpn-11b	Host	192.168.146.22	DMVPN hub router 11b on vpn-dmz
dmz-dmvpn-12b	Host	192.168.146.23	DMVPN hub router 12b on vpn-dmz

Step 9: Navigate to **Configuration > Firewall > Objects > Network Objects/Groups**.

Step 10: Click **Add > Network Object**.

The Add Network Object dialog box appears.

Step 11: In the **Name** box, enter the name. (Example: dmz-dmvpn-11b)

Step 12: In the **Type** list, choose **Host** or **Network**. (Example: Host)

Step 13: In the **IP Address** box, enter the address. (Example: 192.168.146.22)

Step 14: In the **Description** box, enter a useful description, and then click **OK**. (Example: DMVPN hub router 11b on vpn-dmz)

Step 15: Click the two down arrows. The NAT pane expands.

Step 16: Select **Add Automatic Address Translation Rules**.

Step 17: In the **Translated Address** list, choose the network object created previously. (Example: outside-dmvpn-11b-ISP)

Step 18: Select **Use one-to-one address translation**, and then click **OK**.

Step 19: Repeat Step 10 through Step 18 for each object listed in the table above. If an object already exists, then skip to the next object listed in the table.

Step 20: After adding all of the objects listed, on the Network Objects/Groups pane, click **Apply**.

Procedure 9 Configure PfR domain in the hub BR

The additional hub BRs are also the DMVPN hub WAN aggregation routers for the network. The PfRv3 configurations for standalone BRs are much simpler because they dynamically learn their policy information from the hub MC. The hub BR routers are also used to advertise the path names and path-ids specified in the hub MC configuration.

Step 1: Create the hub BR domain.

```

domain [name]
vrf [name]
border (create the BR)
  source-interface [interface]
  master [PfR loopback IP address of local MC]
  password [password of hub MC]

```

Example

```

domain iwana2
vrf default
border
source-interface Loopback0
master 10.6.32.252
password clisco123

```

Step 2: Add the path names and path-ids to the tunnel interfaces of the hub BR.

```

interface Tunnel [value]
domain [name] path [name] path-id [number]

```

Example

This example is the additional hub BR using Tunnel 20 with INET1 as the provider.

```

interface Tunnel20
domain iwana2 path INET1 path-id 3

```

This example is the additional hub BR using Tunnel 21 with INET2 as the provider.

```

interface Tunnel21
domain iwana2 path INET2 path-id 4

```

Step 3: Verify the border is operational by using the **show domain [name] border status** command.

Step 4: Repeat this procedure for each additional hub BR by using the appropriate path name and path-id.

Procedure 10 Configure remote sites for additional hub BRs

An additional NHRP command has to be added to the tunnel interfaces of remote site BRs for them to begin using the new hub BRs.

Table 68 NHRP parameters for additional hub BRs

Hostname	Tunnel number	Tunnel IP address	Public IP address
DI-INET1-ASR1002X-11b	20	10.6.38.2	172.16.140.12 (ISP A)
DI-INET1-ASR1002X-12b	21	10.6.40.2	172.17.140.12 (ISP B)

Step 1: Configure NHRP.

The DMVPN hub router is the NHRP server for all of the spokes. Remote routers use NHRP in order to determine the tunnel destinations for peers attached to the mGRE tunnel.

The spoke router requires an additional configuration statement in order to define the NHRP server. This statement includes the NBMA definition for the DMVPN hub router tunnel endpoint. Spoke routers require the NHRP multicast keyword in this statement.

The value used for the NHS is the mGRE tunnel address for the DMVPN hub router. The NBMA entry must be set to either the MPLS DMVPN hub router's actual public address or the outside NAT value of the DMVPN hub, as configured on the Cisco ASA 5500. This design uses the values shown in the table above.

Example: Single-router remote site for dual INET–RS13–2911

```
interface Tunnel20
 ip nhrp nhs 10.6.64.2 nbma 172.16.140.12 multicast

interface Tunnel21
 ip nhrp nhs 10.6.66.2 nbma 172.17.140.12 multicast
```

Step 2: Confirm that the new hub BRs are reachable with **show ip eigrp neighbors**.

```
RS13-2911#show ip eigrp neighbors
EIGRP-IPv4 VR(IWAN-EIGRP) Address-Family Neighbors for AS(400)
H   Address          Interface      Hold Uptime    SRTT   RTO   Q   Seq
                               (sec)          (ms)          Cnt Num
2   10.6.64.2         Tu20          42 1d01h       1    100   0   574
3   10.6.64.1         Tu20          58 1d01h       1    100   0   631
1   10.6.66.2         Tu21          59 1d02h       1    100   0   646
0   10.6.66.1         Tu21          55 1d02h       1    100   0   804
```

Step 3: Repeat this procedure for each remote site that will use the new hub BRs.

Deploying a Second Data Center Location

Use this optional section if you want to deploy a second data center location as a transit site for geographic redundancy and scalability. Skip this section if you do not want to add a transit site to your network. This concept works with any of the IWAN design models.

This type of configuration offers the following benefits:

- Data centers are reachable across the WAN core for each transit site using a Data Center Interconnect.
- Remote sites can access any data center across either hub.
- Data centers can reach any remote site across any of the transit sites.
- Multiple hub BRs per DMVPN per site may be required for horizontal scaling, as noted in the previous process.

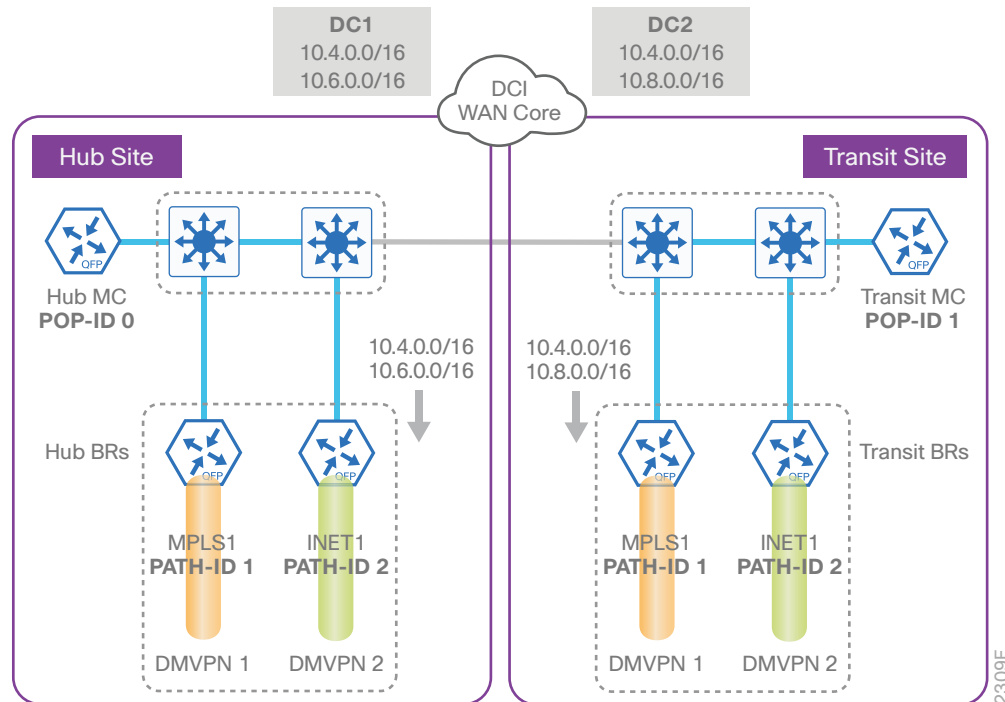
This design introduces the concept of a transit master controller and transit BRs.

- **Transit Master Controller**—The Transit MC is the MC at the transit-site. There is no policy configuration on this device. It receives policy from the Hub MC. This device acts as MC for that site for making path optimization decision. The configuration includes the IP address of the hub MC.
- **Transit Border Router**—This is a BR at the transit MC site. This is the device where WAN interfaces terminate. There can only be one WAN interface on the device. There can be one or more transit BRs. On the transit BRs, PfRv3 must be configured with:
 - The address of the transit MC.
 - The path name on external interfaces.
 - The path ID on external interfaces.



The following diagram shows the transit MC with two additional transit BRs and where they fit into the IWAN hybrid design model.

Figure 16 IWAN hybrid design model—Second data center as a transit site



With the IOS release used for this guide, data center affinity is enabled by default. It is applicable for both path preference and load balancing. There is no CLI change required and PfR will use the primary data center as its preference for all traffic.

If the MPLS1 path is primary and INET1 path is secondary in your design, the path preference will be as follows:

- Path #1 to 10.4.0.0/16 is MPLS1 path to DC#1
- Path #2 to 10.4.0.0/16 is INET1 path to DC#1
- Path #3 to 10.4.0.0/16 is MPLS1 path to DC#2
- Path #4 to 10.4.0.0/16 is INET1 path to DC#2

If you want the path preference to be the MPLS path as primary and INET path as fallback across data centers, there is a domain **transit-site-affinity** command to disable data center affinity.

```
domain iwan
vrf default
master hub
advanced
  no transit-site-affinity
```

If **no transit-site-affinity** is enabled, the failover order for the example given above would be as follows:

- Path #1 to 10.4.0.0/16 is MPLS1 path to DC#1
- Path #2 to 10.4.0.0/16 is MPLS1 path to DC#2
- Path #3 to 10.4.0.0/16 is INET1 path to DC#1
- Path #4 to 10.4.0.0/16 is INET1 path to DC#2

PROCESS

Configuring Transit Border Routers

1. Copy the configuration from existing router to the new router
2. Configure the transit BR platform
3. Configure connectivity to the LAN
4. Configure the routing protocol for the LAN
5. Connect to the MPLS WAN or Internet
6. Configure the mGRE tunnel
7. Configure the routing protocol for the WAN
8. Configure network address translation on the firewall

For this process, you configure two transit site BRs with similar base configurations as the existing hub BRs. You have to make changes to the base configurations and the remote site routers to take advantage of the new transit site location.

The transit site BR routers have unique IP addresses and port-channel assignments, but the rest of the configuration items are the same.

Table 69 Path and IP addresses for hub BRs

Host name	Path	Path ID	Loopback IP address	Port-channel IP address	MPLS/Internet DMZ IP address
HY-MPLS1-ASR1002X-1	MPLS1	1	10.6.32.241/32	10.6.32.2/30	192.168.6.1/24
HY-INET1-ASR1002X-2	INET1	2	10.6.32.242/32	10.6.32.6/30	192.168.146.10/24

Table 70 Path and IP addresses for transit BRs

Host name	Path	Path ID	Loopback IP address	Port-channel IP address	MPLS/Internet DMZ IP address
HY-MPLS1-ASR1002X-T1	MPLS1	1	10.8.32.241/32	10.8.32.2/30	192.168.6.41/24
HY-INET1-ASR1002X-T2	INET1	2	10.8.32.242/32	10.8.32.6/30	192.168.146.11/24

Follow the process “Configuring DMVPN Hub Router,” using the base PfR information from the first two hub BRs. Make the required changes from the procedures below to add a transit site to your IWAN domain.

Procedure 1 Copy the configuration from existing router to the new router

Optional

If the hardware for the corresponding transit BR is identical to the hub BR, you can use this optional procedure to copy the configuration file from one router to the other as a starting point, and then follow the procedures below. Skip this procedure if you do not want to copy the configuration from an existing router.

Step 1: Copy the running configuration from an existing router to your FTP server.

```
HY-MPLS1-ASR1002X-1# copy running-config ftp://cisco:cisco@10.4.48.27
Address or name of remote host [10.4.48.27]?
Destination filename [hy-mpls1-asr1002x-1-config]?
Writing hy-mpls1-asr1002x-1-config !
15884 bytes copied in 0.800 secs (12707 bytes/sec)
```

Step 2: From the console of the new transit BR, copy and paste the configuration into the router before making the changes below.

You can also make the changes below in a text editor before pasting the configuration into the router.

Procedure 2 Configure the transit BR platform

In this procedure, you configure system settings that are unique to the transit BR.

Step 1: Configure the device host name to make it easy to identify the device.

```
hostname HY-MPLS1-ASR1002X-T1
```

Step 2: Configure an in-band management interface.

The loopback interface is a logical interface that is always reachable as long as the device is powered on and any IP interface is reachable to the network.

The loopback address is commonly a host address with a 32-bit address mask.

```
interface Loopback 0
ip address 10.8.32.241 255.255.255.255
```

Procedure 3 Configure connectivity to the LAN

Any links to adjacent distribution layers should be Layer 3 links or Layer 3 EtherChannels. Choose a unique port-channel interface from the LAN switch perspective.

Step 1: Configure a Layer 3 interface.

```
interface Port-channel1
  description IWAN-D3750X-T
  ip address 10.8.32.2 255.255.255.252
  ip pim sparse-mode
  no shutdown
```

Step 2: Configure EtherChannel member interfaces.

Configure the physical interfaces to tie to the logical port-channel by using the **channel-group** command. The number for the port-channel and channel-group must match. Not all router platforms can support LACP to negotiate with the switch, so EtherChannel is configured statically.

```
interface GigabitEthernet0/0/0
  description IWAN-D3750X-T Gig1/0/1

interface GigabitEthernet0/0/1
  description IWAN-D3750X-T Gig2/0/1

interface range GigabitEthernet0/0/0, GigabitEthernet0/0/1
  no ip address
  cdp enable
  channel-group 1
  no shutdown
```

Procedure 4 Configure the routing protocol for the LAN

If you are planning to use EIGRP, choose option 1. If you are planning to use BGP on the WAN and OSPF on the LAN, choose option 2.

Option 1: EIGRP on the LAN

The following table shows the EIGRP LAN delay in use.

Table 71 EIGRP LAN delay for IWAN transit routers

LAN Interface	EIGRP LAN Delay (10 usec)
All LAN	50000

Step 1: Configure IP unicast routing using EIGRP named mode.

In this design, the tunnel, port-channel and loopback must be EIGRP interfaces. The loopback may remain a passive interface. The network range must include all interface IP addresses, either in a single network statement or in multiple network statements.

This design uses a best practice of assigning the router ID to a loopback address.

```
router eigrp IWAN-EIGRP
  address-family ipv4 unicast autonomous-system 400
    network 10.6.0.0 0.1.255.255
    network 10.8.0.0 0.1.255.255
    eigrp router-id 10.8.32.241
  exit-address-family
```

Step 2: Configure the EIGRP interface.

Allow EIGRP to form neighbor relationships across the interface in order to establish peering adjacencies and exchange route tables. In this step, you configure EIGRP authentication by using the authentication key specified in the previous procedure.

```
router eigrp IWAN-EIGRP
  address-family ipv4 unicast autonomous-system 400
    af-interface Port-channel1
      no passive-interface
      authentication mode md5
      authentication key-chain LAN-KEY
    exit-af-interface
  exit-address-family
```

Step 3: Configure the throughput delay on the LAN interface.

At the hub location where there are multiple border routers, the interface throughput delay setting should be set to influence the EIGRP routing protocol path preference.

Tech Tip

If you are using Port-channel interfaces with two Gigabit Ethernet members as recommended in this guide, you will have to double the LAN path delay to 500000 microseconds (usec), instead of the standard IWAN setting of 250000.

Set the internal LAN path to 500000 microseconds (usec). The delay command is entered in 10 usec units.

```
interface Port-channel1
  delay 50000
```

Option 2: OSPF on the LAN

Step 1: Configure OSPF Area 0 by using the loopback interface IP address as the router-id.

```
router ospf 100
  router-id 10.8.32.241
```

Step 2: Remove passive interface for the LAN interface.

```
router ospf 100
  no passive-interface Port-channel1
```

Procedure 5 Connect to the MPLS WAN or Internet

Each IWAN DMVPN hub requires a connection to the WAN transport, which for the hybrid model is either MPLS or Internet.

If you are using MPLS in this design, the DMVPN hub is connected to the service provider's MPLS PE router. The IP addressing used between IWAN CE and MPLS PE routers must be negotiated with your MPLS carrier.

If you are using the Internet in this design, the DMVPN hub is connected through a Cisco ASA 5500 using a DMZ interface specifically created and configured for a VPN termination router.

The IP address that you use for the Internet-facing interface of the DMVPN hub router must be an Internet-routable address. There are two possible methods for accomplishing this task:

- Assign a routable IP address directly to the router.
- Assign a non-routable RFC-1918 address directly to the router and use a static NAT on the Cisco ASA 5500 to translate the router IP address to a routable IP address.

This design assumes that the Cisco ASA 5500 is configured for static NAT for the DMVPN hub router.

Option 1: MPLS WAN physical WAN interface

The DMVPN design is using FVRF, so you must place the WAN interface into the VRF configured in the previous procedure.

Step 1: Enable the interface, select the VRF, and assign the IP address.

```
interface GigabitEthernet0/0/3
vrf forwarding IWAN-TRANSPORT-1
ip address 192.168.6.41 255.255.255.252
no shutdown
```

Step 2: Configure the VRF-specific default routing.

The VRF created for FVRF must have its own default route to the MPLS. This default route points to the MPLS PE router's IP address and is used by DMVPN for tunnel establishment.

```
ip route vrf IWAN-TRANSPORT-1 0.0.0.0 0.0.0.0 192.168.6.42
```

Option 2: Internet WAN physical WAN interface

Step 1: The DMVPN design is using FVRF, so you must place the WAN interface into the VRF configured in Procedure 3, "Configure the WAN-facing VRF."

Step 2: Enable the interface, select the VRF, and assign the IP address.

```
interface GigabitEthernet0/0/3
vrf forwarding IWAN-TRANSPORT-2
ip address 192.168.146.11 255.255.255.0
no shutdown
```

Step 3: Configure the VRF-specific default routing.

The VRF created for FVRF must have its own default route to the Internet. This default route points to the Cisco ASA 5500's DMZ interface IP address.

```
ip route vrf IWAN-TRANSPORT-2 0.0.0.0 0.0.0.0 192.168.146.1
```

Procedure 6 Configure the mGRE tunnel

The parameters in the table below are used in this procedure. Choose the row that represents the transit site BR that you are configuring. This procedure applies to the transit site BR in the IWAN hybrid design model.

Table 72 DMVPN tunnel parameters for transit BRs

Hostname	Tunnel type	Tunnel number	Tunnel IP address
HY-MPLS1-ASR1002X-T1	MPLS1	10	10.6.34.2/23
HY-INET1-ASR1002X-T2	INET1	11	10.6.36.2/23

Step 1: Configure the basic interface settings.

The tunnel number is arbitrary, but it is best to begin tunnel numbering at 10 or above, because other features deployed in this design may also require tunnels and they may select lower numbers by default.

```
interface Tunnel10
 ip address 10.6.34.2 255.255.254.0
```

Procedure 7 Configure the routing protocol for the WAN

If you are planning to use EIGRP, choose option 1. If you are planning to use BGP on the WAN and OSPF on the LAN, choose option 2.

Option 1: EIGRP on the WAN

Step 1: Configure EIGRP network summarization.

The IP assignments for the entire network were designed so they can be summarized within a few aggregate routes. As configured below, the **summary-address** command suppresses the more specific routes. If any network within the summary is present in the route table, the summary is advertised to the remote sites, which offers a measure of resiliency. If the various networks cannot be summarized, then EIGRP continues to advertise the specific routes.

```
router eigrp IWAN-EIGRP
 address-family ipv4 unicast autonomous-system 400
  af-interface Tunnel10
   summary-address 10.6.0.0 255.255.0.0
   summary-address 10.7.0.0 255.255.0.0
   summary-address 10.8.0.0 255.255.0.0
   summary-address 10.255.240.0 255.255.248.0
  exit-af-interface
```

Step 2: Configure EIGRP summary metrics.

Step 3: If there are many component routes to be summarized and the component routes are frequently updated, the metrics are also updated frequently, which may cause a spike in the CPU usage. The **summary-metric** command explicitly sets the metric for the summary regardless of the component route metric, which reduces the computational load on a router.

The first value is the bandwidth metric in Kbits per second. The second value is the delay metric in 10 usecs. The third value is the reliability metric where 255 is 100% reliable. The fourth value is the effective bandwidth metric (loading) where 255 is 100% loaded. The fifth value is the MTU of the path.

Tech Tip

EIGRP uses the path's minimum bandwidth as part of the metric calculation. The path's minimum bandwidth is defined in a route advertisement in the minimum bandwidth path attribute. Setting the summary metric bandwidth (first value) to 10 Mbps essentially removes the ability to differentiate between a 10 Mbps tunnel (MPLS1) and a 100 Mbps circuit (INET1) because both paths have a minimum bandwidth of 10 Mbps. Setting the summary metric bandwidth to 10 Gbps as recommended in this guide allows the calculations on the branch router to differentiate tunnel bandwidth regardless of the size of each path.

Use the identical values for each summary address defined in the previous step.

```
router eigrp IWAN-EIGRP
  address-family ipv4 unicast autonomous-system 400
  topology base
    summary-metric 10.6.0.0/16 10000000 10000 255 1 1500
    summary-metric 10.7.0.0/16 10000000 10000 255 1 1500
    summary-metric 10.8.0.0/16 10000000 10000 255 1 1500
    summary-metric 10.255.240.0/21 10000000 10000 255 1 1500
  exit-af-topology
```

Step 4: Configure the throughput delay on the tunnel interface.

The tunnel interface throughput delay setting should be set to influence the EIGRP routing protocol path preference. Set the primary WAN path to 10000 usec and the secondary WAN path to 20000 usec to prefer one over the other. The delay command is entered in 10 usec units.

```
interface Tunnel10
  delay 1000
```

Step 5: Tag and filter the routes.

This design uses a single EIGRP autonomous system for the WAN and all of the WAN remote sites. Every remote site is dual-connected for resiliency. However, due to the multiple paths that exist within this topology, you must try to avoid routing loops and to prevent remote sites from becoming transit sites if WAN failures were to occur.

In this design, there are different IP subnets for each DMVPN network, and the EIGRP tags are clearly defined to help with readability and troubleshooting. When a design uses more than one data center, additional tags are required in order to identify the different DMVPN hub router locations.

The following logic is used to control the routing.

- Each DMVPN network will have an EIGRP route tag to prevent routes from being re-advertised over the other DMVPN networks at the remote sites.
- All prefixes that are advertised towards the WAN are uniquely tagged.
- All DMVPN learned WAN prefixes, except those that originate locally from a hub, are advertised towards the LAN and tagged.

Outbound distribute-lists are used to set tags on the DMVPN hub routers towards the WAN and LAN. The remote-site routers use **eigrp stub-site** in order to protect against becoming transit sites.

The DMVPN hub routers use an inbound distribute-list in order to limit which routes are accepted for installation into the route table. These routers are configured to only accept routes that do not originate from the other data center's MPLS and DMVPN WAN sources. To accomplish this task, during the route redistribution process, the DMVPN hub router must explicitly tag the DMVPN learned WAN routes. The following tables show specific route tags in use.

Table 73 Route tag information for hub BRs

DMVPN hub	DMVPN tunnel key	Tag tunnel	Block tunnel	Tag LAN
HY-MPLS1-ASR1002X-1	101 (MPLS1)	101 (All routes)	106 (DC2 tagged routes)	101 (WAN routes)
HY-INET1-ASR1002X-2	102 (INET1)	102 (All routes)	107 (DC2 tagged routes)	102 (WAN routes)

Table 74 Route tag information for transit BRs

DMVPN hub	DMVPN tunnel key	Tag tunnel	Block tunnel	Tag LAN
HY-MPLS1-ASR1002X-T1	106 (MPLS1)	106 (All routes)	101 (DC1 tagged routes)	106 (WAN routes)
HY-INET1-ASR1002X-T2	107 (INET1)	107 (All routes)	102 (DC1 tagged routes)	107 (WAN routes)

The following examples show the hub and transit border routers in the IWAN hybrid design model.

Example: MPLS hub border router–HY-MPLS1-ASR1002X-1

```
route-map SET-TAG-ALL permit 10
  description Tag all routes advertised through the tunnel
  set tag 101

! All MPLS tunnel interfaces are in this IP address range
ip access-list standard DMVPN-1-SPOKES
  permit 10.6.34.0 0.0.1.255

route-map SET-TAG-DMVPN-1 permit 10
  description Tag all incoming routes advertised through LAN interface
  match ip route-source DMVPN-1-SPOKES
  set tag 101
route-map SET-TAG-DMVPN-1 permit 100
  description Advertise all other routes with no tag

route-map BLOCK-DC2-DMVPN-1 deny 10
  description Block Summary route from other border
  match tag 106
route-map BLOCK-DC2-DMVPN-1 permit 100
  description Advertise all other routes

router eigrp IWAN-EIGRP
  address-family ipv4 unicast autonomous-system 400
  topology base
  distribute-list route-map SET-TAG-DMVPN-1 out Port-channel1
  distribute-list route-map SET-TAG-ALL out Tunnel10
  distribute-list route-map BLOCK-DC2-DMVPN-1 in Tunnel10
```

Example: INET hub border router–HY-INET1-ASR1002X-2

```
route-map SET-TAG-ALL permit 10
  description tag all routes advertised through the tunnel
  set tag 102

! All INET tunnel interfaces are in this IP address range
ip access-list standard DMVPN-2-SPOKES
  permit 10.6.36.0 0.0.1.255

route-map SET-TAG-DMVPN-2 permit 10
  description Tag routes sourced from DMVPN-2
  match ip route-source DMVPN-2-SPOKES
  set tag 102
route-map SET-TAG-DMVPN-2 permit 100
  description Advertise all other routes with no tag

route-map BLOCK-DC2-DMVPN-2 deny 10
  description Block Summary route from other border
  match tag 107
route-map BLOCK-DC2-DMVPN-2 permit 100
  description Advertise all other routes

router eigrp IWAN-EIGRP
  address-family ipv4 unicast autonomous-system 400
  topology base
  distribute-list route-map SET-TAG-DMVPN-2 out Port-channel2
  distribute-list route-map SET-TAG-ALL out Tunnel11
  distribute-list route-map BLOCK-DC2-DMVPN-2 in Tunnel11
```

Example: MPLS transit border router–HY-MPLS1-ASR1002X-T1

```
route-map SET-TAG-ALL permit 10
  description Tag all routes advertised through the tunnel
  set tag 106

! All MPLS tunnel interfaces are in this IP address range
ip access-list standard DMVPN-1-SPOKES
  permit 10.6.34.0 0.0.1.255

route-map SET-TAG-DMVPN-1 permit 10
  description Tag all incoming routes advertised through LAN interface
  match ip route-source DMVPN-1-SPOKES
  set tag 106
route-map SET-TAG-DMVPN-1 permit 100
  description Advertise all other routes with no tag

route-map BLOCK-DC1-DMVPN-1 deny 10
  description Block Summary route from other border
  match tag 101
route-map BLOCK-DC1-DMVPN-1 permit 100
  description Advertise all other routes

router eigrp IWAN-EIGRP
  address-family ipv4 unicast autonomous-system 400
  topology base
  distribute-list route-map SET-TAG-DMVPN-1 out Port-channel1
  distribute-list route-map SET-TAG-ALL out Tunnel10
  distribute-list route-map BLOCK-DC1-DMVPN-1 in Tunnel10
```

Example: INET transit border router–HY-INET1-ASR1002X-T2

```
route-map SET-TAG-ALL permit 10
  description tag all routes advertised through the tunnel
  set tag 107

! All INET tunnel interfaces are in this IP address range
ip access-list standard DMVPN-2-SPOKES
  permit 10.6.36.0 0.0.1.255

route-map SET-TAG-DMVPN-2 permit 10
  description Tag routes sourced from DMVPN-2
  match ip route-source DMVPN-2-SPOKES
  set tag 107
route-map SET-TAG-DMVPN-2 permit 100
  description Advertise all other routes with no tag

route-map BLOCK-DC1-DMVPN-2 deny 10
  description Block Summary route from other border
  match tag 102
route-map BLOCK-DC1-DMVPN-2 permit 100
  description Advertise all other routes

router eigrp IWAN-EIGRP
  address-family ipv4 unicast autonomous-system 400
  topology base
  distribute-list route-map SET-TAG-DMVPN-2 out Port-channel2
  distribute-list route-map SET-TAG-ALL out Tunnel11
  distribute-list route-map BLOCK-DC1-DMVPN-2 in Tunnel11
```

Option 2: BGP on the WAN

The following table shows the tunnel DMVPN IP subnets, local preferences, community strings, and metrics in use.

Table 75 Tunnel IPs, local preferences, community strings, and metrics for hub BRs

DMVPN hub router	DMVPN Tunnels	BGP Local Preference	BGP Community String	OSPF Metric Preferred POP	OSPF Metric Secondary POP
HY-MPLS1-ASR1002X-1	10.6.34.0/23	800 (MPLS1)	65100:100	1000	2000
HY-INET1-ASR1002X-2	10.6.36.0/23	780 (INET1)	65100:200	1200	2200

Table 76 Tunnel IPs, local preferences, community strings, and metrics for transit BRs

DMVPN hub router	DMVPN Tunnels	BGP Local Preference	BGP Community String	OSPF Metric Preferred POP	OSPF Metric Secondary POP
HY-MPLS1-ASR1002X-T1	10.6.34.0/23	600 (MPLS1)	65100:101	1000	2000
HY-INET1-ASR1002X-T2	10.6.36.0/23	580 (INET1)	65100:202	1200	2200

Step 1: Configure BGP values for the tunnel interface.

Use a private AS number for the BGP process. Assign this router's loopback address as the BGP router-id. Log the neighbor changes. Create a listen range that includes the subnet range of the tunnel interface. For internal BPG, use the same AS number for the remote sites. Create the route reflector and use the tunnel as the update source interface. Adjust the BGP hello and hold timers to 20 seconds and 60 seconds, respectively.

```
router bgp 65100
  bgp router-id 10.8.32.241
  bgp log-neighbor-changes
  bgp listen range 10.6.34.0/23 peer-group MPLS1-SPOKES
  neighbor MPLS1-SPOKES peer-group
  neighbor MPLS1-SPOKES remote-as 65100
  neighbor MPLS1-SPOKES description MPLS1 Spoke Route Reflector
  neighbor MPLS1-SPOKES update-source Tunnel10
  neighbor MPLS1-SPOKES timers 20 60
```

Step 2: Create the static null routes for the enterprise summary prefix and the site-specific prefixes.

```
ip route 10.4.0.0 255.252.0.0 Null0 254
ip route 10.8.0.0 255.255.0.0 Null0 254
ip route 10.4.0.0 255.255.0.0 Null0 254
```

Step 3: Configure the BGP address family.

Define the network statements for the default network, the enterprise summary prefix, the site-specific prefixes, and the local MC loopback IP address the router will advertise to the remote sites. Configure BGP dynamic neighbors for the remote sites. Set the BGP distance and redistribute the internal networks.

```
router bgp 65100
  address-family ipv4
    bgp redistribute-internal
    network 0.0.0.0
    network 10.4.0.0 mask 255.252.0.0
    network 10.4.0.0 mask 255.255.0.0
    network 10.8.0.0 mask 255.255.0.0
    network 10.8.32.251 mask 255.255.255.255
    neighbor MPLS1-SPOKES activate
    neighbor MPLS1-SPOKES send-community
    neighbor MPLS1-SPOKES route-reflector-client
    neighbor MPLS1-SPOKES next-hop-self all
    neighbor MPLS1-SPOKES weight 50000
    neighbor MPLS1-SPOKES soft-reconfiguration inbound
    distance bgp 201 19 200
  exit-address-family
```

Step 4: Create the prefix lists for BGP.

Define the prefix-lists for the default network, the enterprise summary prefix, the site-specific prefixes, the local MC loopback IP address, and the subnet ranges for the DMVPN tunnels.

```
ip prefix-list DEFAULT-ROUTE seq 10 permit 0.0.0.0/0
ip prefix-list ENTERPRISE-PREFIX seq 10 permit 10.4.0.0/14
ip prefix-list LOCALDC-PREFIX seq 10 permit 10.4.0.0/16
ip prefix-list LOCALDC-PREFIX seq 20 permit 10.8.0.0/16
ip prefix-list LOCALMCLOOPBACK seq 10 permit 10.8.32.251/32
ip prefix-list TUNNEL-DMVPN seq 10 permit 10.6.34.0/23
```

Step 5: Create and apply the prefix route maps for BGP.

Define the route map to block prefixes inbound on the tunnel interface. Define the route map to allow prefixes to go out on the tunnel interface. Set the local preference and the community string for this DMVPN hub router. Apply the route maps to the BGP address family. Configure BGP to display communities in the format AA:NN.

Example: MPLS transit border router–HY-MPLS1-ASR1002X-T1

```
ip bgp-community new-format

route-map MPLS1-IN deny 10
  description All Blocked Prefixes to come IN on BGP
  match ip address prefix-list DEFAULT-ROUTE ENTERPRISE-PREFIX LOCALDC-PREFIX LO-  
CALMCLOOPBACK TUNNEL-DMVPN

route-map MPLS1-IN permit 1000
  description Allow Everything Else

route-map MPLS1-OUT permit 10
  description All Allowed Prefixes to Go OUT on BGP to Spokes
  match ip address prefix-list DEFAULT-ROUTE ENTERPRISE-PREFIX LOCALDC-PREFIX LO-  
CALMCLOOPBACK
  set local-preference 600
  set community 65100:101

router bgp 65100
  address-family ipv4
    neighbor MPLS1-SPOKES route-map MPLS1-IN in
    neighbor MPLS1-SPOKES route-map MPLS1-OUT out
  exit-address-family
```

Example: INET transit border router–HY-INET1-ASR1002X-T2

```

ip bgp-community new-format

route-map INET1-IN deny 10
  description All Blocked Prefixes to come IN on BGP
  match ip address prefix-list DEFAULT-ROUTE ENTERPRISE-PREFIX LOCALDC-PREFIX LO-
CALMCLOOPBACK TUNNEL-DMVPN

route-map INET1-IN permit 1000
  description Allow Everything Else

route-map INET1-OUT permit 10
  description All Allowed Prefixes to Go OUT on BGP to Spokes
  match ip address prefix-list DEFAULT-ROUTE ENTERPRISE-PREFIX LOCALDC-PREFIX LO-
CALMCLOOPBACK
  set local-preference 580
  set community 65100:201

router bgp 65100
  address-family ipv4
    neighbor INET1-SPOKES route-map INET1-IN in
    neighbor INET1-SPOKES route-map INET1-OUT out
  exit-address-family

```

Step 6: Create and apply the BGP to OSPF redistribution route map for transit BRs.

When there are two or more POP sites, there might be certain remote sites that want to prefer one POP over the other. This preference choice is done using a community string value, which is sent by the remote site router to indicate which POP they prefer.

This example uses a community string in the form of AS:NN with AS being the BGP autonomous system number and NN being the value that selects the preferred POP.

Example:

65100:10 to prefer POP 1 (hub site)

65100:20 to prefer POP 2 (transit site)

The hub and transit BRs use the community string value they receive from the remote site to determine the OSPF metric for each location. The transit location matches the POP1 community string to set the higher metric values.

Define the community list to classify the remote sites as preferring POP1 or POP 2. Define the route map to block null routes from being distributed into OSPF. Set the metric to the appropriate value for the POP chosen by the remote site community string value. Apply the route map to the OSPF process when redistributing BGP.

Example: POP2 MPLS1 border router–HY-MPLS1-ASR1002X-T1

```
ip community-list standard POP1-SPOKES permit 65100:10

route-map REDIST-BGP-TO-OSPF permit 10
  description Secondary POP1 with higher Metric
  match community POP1-SPOKES
  set metric 2000
  set metric-type type-1

route-map REDIST-BGP-TO-OSPF deny 20
  description Block Null routes to be distributed from BGP to OSPF
  match ip address prefix-list DEFAULT-ROUTE ENTERPRISE-PREFIX LOCALDC-PREFIX

route-map REDIST-BGP-TO-OSPF permit 1000
  description Prefer POP2 with lower Metric
  set metric 1000
  set metric-type type-1

router ospf 100
  redistribute bgp 65100 subnets route-map REDIST-BGP-TO-OSPF
```

Example: POP2 INET1 border router–HY-INET1-ASR1002X-T2

```

ip community-list standard POP1-SPOKES permit 65100:10

route-map REDIST-BGP-TO-OSPF permit 10
  description Secondary POP1 with higher Metric
  match community POP1-SPOKES
  set metric 2200
  set metric-type type-1

route-map REDIST-BGP-TO-OSPF deny 20
  description Block Null routes to be distributed from BGP to OSPF
  match ip address prefix-list DEFAULT-ROUTE ENTERPRISE-PREFIX LOCALDC-PREFIX

route-map REDIST-BGP-TO-OSPF permit 1000
  description Prefer POP2 with lower Metric
  set metric 1200
  set metric-type type-1

router ospf 100
  redistribute bgp 65100 subnets route-map REDIST-BGP-TO-OSPF

```

Step 7: Create and apply the updated BGP to OSPF redistribution route map for hub BRs.

The POP preference route map changes from the previous step have to be applied to the corresponding hub BRs at your POP1 location. The hub location matches the POP2 community string to set the higher metric values.

Example: POP1 MPLS1 border router–HY-MPLS1-ASR1002X-1

```

ip community-list standard POP2-SPOKES permit 65100:20

route-map REDIST-BGP-TO-OSPF permit 10
  description Secondary POP2 with higher Metric
  match community POP2-SPOKES
  set metric 2000
  set metric-type type-1

route-map REDIST-BGP-TO-OSPF deny 20
  description Block Null routes to be distributed from BGP to OSPF
  match ip address prefix-list DEFAULT-ROUTE ENTERPRISE-PREFIX LOCALDC-PREFIX

```

```

route-map REDIST-BGP-TO-OSPF permit 1000
  description Prefer POP1 with lower Metric
  set metric 1000
  set metric-type type-1

router ospf 100
  redistribute bgp 65100 subnets route-map REDIST-BGP-TO-OSPF

```

Example: POP1 INET1 border router–HY-INET1-ASR1002X-2

```

ip community-list standard POP2-SPOKES permit 65100:20

route-map REDIST-BGP-TO-OSPF permit 10
  description Secondary POP2 with higher Metric
  match community POP2-SPOKES
  set metric 2200
  set metric-type type-1

route-map REDIST-BGP-TO-OSPF deny 20
  description Block Null routes to be distributed from BGP to OSPF
  match ip address prefix-list DEFAULT-ROUTE ENTERPRISE-PREFIX LOCALDC-PREFIX

route-map REDIST-BGP-TO-OSPF permit 1000
  description Prefer POP1 with lower Metric
  set metric 1200
  set metric-type type-1

router ospf 100
  redistribute bgp 65100 subnets route-map REDIST-BGP-TO-OSPF

```

Procedure 8 Configure network address translation on the firewall

You have to add the transit site Internet BR to your firewall configuration for network address translation.

The DMZ network uses private network (RFC 1918) addressing that is not Internet-routable, so the firewall must translate the DMZ address of the DMVPN hub router to an outside public address.

The example DMZ address to public IP address mapping is shown in the following table.

Table 77 DMVPN NAT address mapping

Hostname	DMVPN hub router DMZ address	DMVPN hub router public address (externally routable after NAT)
HY-INET1-ASR1002X-T2	192.168.146.13	172.16.140.2 (ISP-A)

First, to simplify the configuration of the security policy, you create the External DMZ network objects that are used in the firewall policies.

Table 78 External DMZ firewall network objects

Network object name	Object type	IP address	Description
outside-dmvpn-T2-ISPa	Host	172.16.140.2	DMVPN hub router T2 on ISP A (outside)

Step 1: Navigate to **Configuration > Firewall > Objects > Network Objects/Groups**.

Step 2: Click **Add > Network Object**.

The Add Network Object dialog box appears.

Step 3: In the **Name** box, enter the name. (Example: outside-dmvpn-T2-ISPa)

Step 4: In the **Type** list, choose **Host** or **Network**. (Example: Host)

Step 5: In the **IP Address** box, enter the address. (Example: 172.16.140.2)

Step 6: In the **Description** box, enter a useful description, and then click **OK**. (Example: DMVPN hub router T2 on ISP A)

Step 7: Repeat Step 2 through Step 6 for each object listed in the above table. If an object already exists, then skip to the next object listed in the table.

Step 8: After adding all of the objects listed, on the Network Objects/Groups pane, click **Apply**.

Next, you add a network object for the private DMZ address of the DMVPN hub router.

Table 79 Private DMZ firewall network objects

Network object name	Object type	IP address	Description
dmz-dmvpn-T2	Host	192.168.146.13	DMVPN hub router T2 on vpn-dmz

Step 9: Navigate to **Configuration > Firewall > Objects > Network Objects/Groups**.

Step 10: Click **Add > Network Object**.

The Add Network Object dialog box appears.

Step 11: In the **Name** box, enter the name. (Example: dmz-dmvpn-T2)

Step 12: In the **Type** list, choose **Host** or **Network**. (Example: Host)

Step 13: In the **IP Address** box, enter the address. (Example: 192.168.146.13)

Step 14: In the **Description** box, enter a useful description, and then click **OK**. (Example: DMVPN hub router T2 on vpn-dmz)

Step 15: Click the two down arrows. The NAT pane expands.

Step 16: Select **Add Automatic Address Translation Rules**.

Step 17: In the **Translated Address** list, choose the network object created previously. (Example: outside-dmvpn-T2-ISP)

Step 18: Select **Use one-to-one address translation**, and then click **OK**.

Step 19: Repeat Step 10 through Step 18 for each object listed in the table above. If an object already exists, then skip to the next object listed in the table.

Step 20: After adding all of the objects listed, on the Network Objects/Groups pane, click **Apply**.

PROCESS

Configuring Transit Master Controller

1. Copy the configuration from existing router to the new router
2. Configure the transit MC platform
3. Configure connectivity to the LAN
4. Configure the routing protocol on the LAN

For this process, you configure a transit MC with a similar base configuration as the existing hub MC. You have to make changes to the base configuration and the remote site routers in order to take advantage of the new transit site location.

The additional MC router has a unique pop-id, IP addresses and port-channel assignments, and a much simpler PfR MC configuration, but the rest of the configuration is the same. The hub MC has a default pop-id of 0 and transit MCs pop-id start at 1.

Table 80 Hub and transit site MC IP addresses

Host name	Pop ID	Loopback IP address	Port-channel IP address
HY-MC-CSR1000v-1	0	10.6.32.251/32	10.6.32.151/25
HY-MC-ASR1002X-T1	1	10.8.32.251/32	10.8.32.151/25

Follow the process “Configuring Hub Master Controller” using the base PfR information from the hub MC. Make the required changes from the procedures below in order to add a transit site to your IWAN domain.

Procedure 1 Copy the configuration from existing router to the new router

Optional

If the hardware for the transit MC is identical to the hub MC, you can use this optional procedure to copy the configuration file from one router to the other as a starting point, and then follow the procedures below. Skip this procedure if you do not want to copy the configuration from an existing router.

Step 1: Copy the running configuration from an existing router to your FTP server.

```
HY-MC-CSR1000v-1# copy running-config ftp://cisco:cisco@10.4.48.27
Address or name of remote host [10.4.48.27]?
Destination filename [hy-mc-csr100v-1-config]?
Writing hy-mc-csr100v-1-config !
7856 bytes copied in 0.800 secs (9820 bytes/sec)
```

Step 2: From the console of the new transit MC, copy and paste the configuration into the router before making the changes below.

You can also make the changes below in a text editor before pasting the configuration into the router.

Procedure 2 Configure the transit MC platform

In this procedure, you configure system settings that are unique to the transit MC.

Step 1: Configure the device host name to make it easy to identify the device.

```
hostname HY-MC-ASR1002X-T1
```

Step 2: Configure an in-band management interface.

The loopback interface is a logical interface that is always reachable as long as the device is powered on and any IP interface is reachable to the network.

The loopback address is commonly a host address with a 32-bit address mask.

```
interface Loopback 0
  ip address 10.8.32.151 255.255.255.255
```

Step 3: Configure IP unicast routing using EIGRP named mode.

EIGRP is configured facing the LAN distribution or core layer. In this design, the port-channel interface and the loopback must be EIGRP interfaces. The loopback may remain a passive interface. The network range must include both interface IP addresses, either in a single network statement or in multiple network statements.

This design uses a best practice of assigning the router ID to a loopback address.

```
router eigrp IWAN-EIGRP
  address-family ipv4 unicast autonomous-system 400
  af-interface default
  passive-interface
  exit-af-interface
  network 10.8.0.0 0.1.255.255
  eigrp router-id 10.8.32.151
  exit-address-family
```

Procedure 3 Configure connectivity to the LAN

Any links to adjacent distribution layers should be Layer 3 links or Layer 3 EtherChannels.

Step 1: Configure a Layer 3 interface.

```
interface Port-channel21
  description IW-WAN-D3750X-T
  ip address 10.8.32.151 255.255.255.192
  no shutdown
```

Step 2: Configure EtherChannel member interfaces.

Configure the physical interfaces to tie to the logical port-channel by using the **channel-group** command. The number for the port-channel and channel-group must match. Not all router platforms can support LACP to negotiate with the switch, so EtherChannel is configured statically.

```
interface GigabitEthernet0/0/0
  description IW-WAN-D3750X-T Gig1/0/3

interface GigabitEthernet0/0/1
  description IW-WAN-D3750X-T Gig2/0/3

interface range GigabitEthernet0/0/0, GigabitEthernet0/0/1
  no ip address
  cdp enable
  channel-group 21
  no shutdown
```

Procedure 4 Configure the routing protocol on the LAN

If you are planning to use EIGRP, choose option 1. If you are planning to use BGP on the WAN and OSPF on the LAN, choose option 2.

Option 1: EIGRP on the LAN

Step 1: Configure IP unicast routing using EIGRP named mode.

The network range must include both interface IP addresses, either in a single network statement or in multiple network statements.

This design uses a best practice of assigning the router ID to a loopback address.

```
router eigrp IWAN-EIGRP
  address-family ipv4 unicast autonomous-system 400
  network 10.8.0.0 0.1.255.255
  eigrp router-id 10.8.32.151
  exit-address-family
```


Step 2: Configure the EIGRP interface.

Allow EIGRP to form neighbor relationships across the interface to establish peering adjacencies and exchange route tables. In this step, you configure EIGRP authentication by using the authentication key specified in the previous procedure.

```
router eigrp IWAN-EIGRP
  address-family ipv4 unicast autonomous-system 400
  af-interface Port-channel21
  no passive-interface
  authentication mode md5
  authentication key-chain LAN-KEY
  exit-af-interface
  exit-address-family
```

Option 2: OSPF on the LAN

Step 1: Configure OSPF Area 0 by using the network summary addresses and the loopback interface IP address as the router-id.

```
router ospf 100
  router-id 10.8.32.251
  network 10.8.32.128 0.0.0.63 area 0
  network 10.8.32.251 0.0.0.0 area 0
```

Step 2: Turn on passive-interface as the default and remove it for the LAN interface.

```
router ospf 100
  passive-interface default
  no passive-interface Port-channel21
```

PROCESS

Configuring PfR for Transit Location

1. Verify IP connectivity to remote site loopback interfaces
2. Configure prefixes for the data center
3. Configure PfR domain in the transit MC
4. Configure PfR domain in the transit BR
5. Verify PfR domain is operational on the transit MC

After the transit BRs and MC are configured, you will configure PfR for the transit site location.

Procedure 1 Verify IP connectivity to remote site loopback interfaces

It is mandatory to use loopback interfaces for the peering traffic between the BR and MC routers. For this design, you put the loopback addresses into a specific subnet range, so they are easily identified in the routing table. The loopback address ranges for the remote sites are as follows:

Table 81 Remote-site loopback IP address ranges

IWAN design model	Tunnel type	Loopback 0 address range
Hybrid–Primary Router	MPLS1	10.255.241.0/24
Hybrid–Secondary Router	INET1	10.255.242.0/24
Dual Internet–Primary Router	INET1	10.255.246.0/24
Dual Internet–Secondary Router	INET2	10.255.247.0/24

Step 1: Verify that the loopback 0 interfaces on each of your remote sites are reachable from the transit MC by using the **show ip route** command.

This example shows a loopback address range of 10.255.241.0/24 for nine remote site primary routers and an address range of 10.255.242.0/24 for four remote site secondary routers.

```
HY-MC-ASR1002X-T1# show ip route | include 10.255.241
D      10.255.241.11/32 [90/25610880] via 10.8.32.129, 1w2d, Port-channel21
D      10.255.241.12/32 [90/25610880] via 10.8.32.129, 1w2d, Port-channel21
D      10.255.241.31/32 [90/25610880] via 10.8.32.129, 1w2d, Port-channel21
D      10.255.241.32/32 [90/25610880] via 10.8.32.129, 1w2d, Port-channel21
D      10.255.241.41/32 [90/25610880] via 10.8.32.129, 1w2d, Port-channel21
D      10.255.241.42/32 [90/25610880] via 10.8.32.129, 1w2d, Port-channel21
D      10.255.241.51/32 [90/25610880] via 10.8.32.129, 1w3d, Port-channel21

MC-HY-ASR1002X-T1#show ip route | include 10.255.242
D      10.255.242.12/32 [90/25613440] via 10.8.32.129, 1w1d, Port-channel21
D      10.255.242.32/32 [90/25613440] via 10.8.32.129, 1w2d, Port-channel21
D      10.255.242.42/32 [90/25613440] via 10.8.32.129, 1w2d, Port-channel21
```

Procedure 2 Configure prefixes for the data center

Before the configuration of PfRv3 on the transit MC, you must create prefix lists for the data center. The enterprise-prefix list is only configured on the hub MC and you will not configure one on the transit MC.

The site-prefix range for the transit site includes the prefixes at this specific site, which is normally a WAN aggregation or data center site. Site-prefixes are typically statically defined at WAN aggregation and DC sites and discovered automatically at remote sites.

Tech Tip

The ip prefix-list options ge and le are not supported by PfR.

Step 1: Create the transit site prefix list.

```
ip prefix-list [prefix-list-name] seq [value] permit [prefix list]
```

Example

This example shows a data center network with two class B private address blocks of 10.4.0.0 and 10.8.0.0.

```
ip prefix-list DC2-PREFIXES seq 10 permit 10.4.0.0/16
ip prefix-list DC2-PREFIXES seq 20 permit 10.8.0.0/16
```

Procedure 3 Configure PfR domain in the transit MC

Domain policies are configured on the hub MC. These policies are distributed to branch MCs and the transit MC by using the peering infrastructure. All sites that are in the same domain will share the same set of PfR policies. The transit MC must peer to the hub MC to get the policy information.

Step 1: Create the transit MC domain.

```
domain [name]
vrf [name]
  master transit [number]
  source-interface [interface]
  site-prefixes prefix-list [prefixes from previous procedure]
  password [password of hub MC]
  hub [IP address of hub MC]
```

Example

```
domain iwan
vrf default
  master transit 1
  source-interface Loopback0
  site-prefixes prefix-list DC2-PREFIXES
  password cisco123
  hub 10.6.32.251
```

Step 2: Verify the hub MC policy configuration is available by using the **show domain [name] master policy** command.

The output from this command should look the same as the output on the hub MC.

Procedure 4 Configure PfR domain in the transit BR

The transit BRs are also the DMVPN hub WAN aggregation routers for the transit site network. The PfRv3 configurations for standalone BRs are much simpler because they dynamically learn their policy information from the transit MC. The transit BR routers are also used to advertise the path names and path-ids specified in the hub MC configuration.

There is an optional feature called *zero-SLA* that reduces the probing to only the default class by muting the other DSCP probes. This feature is useful on Internet connections where nothing is guaranteed. Zero-SLA reduces bandwidth usage on metered interfaces such as 4G LTE or other Internet connections with a monthly data cap limit.

Tech Tip

If you want to add the zero-SLA feature to an existing hub BR, you must shut down the DMVPN tunnel interface before configuring. After the feature is added to the hub BR, bring the tunnel interface back up.

Table 82 Transit BR path and IP addresses

Host name	Path	Path ID	Loopback IP address	Zero SLA
HY-MPLS1-ASR1002X-T1	MPLS1	1	10.8.32.241/32	No
HY-INET1-ASR1002X-T2	INET1	2	10.8.32.242/32	Yes (optional)

Step 1: Create the transit BR domain.

```
domain [name]
vrf [name]
border (create the BR)
  source-interface [interface]
  master [IP address of transit MC]
  password [password of hub MC]
```

Example

```
domain iwan
vrf default
border
  source-interface Loopback0
  master 10.8.32.251
  password cisco123
```

Step 2: Add the path names and path-ids to the tunnel interfaces of the transit BR.

```
interface Tunnel [value]
  domain [name] path [name] path-id [number] zero-sla
```

Example

This example is the primary transit BR using Tunnel 10 with MPLS as the provider.

```
interface Tunnel10
  domain iwan path MPLS1 path-id 1
```

Step 3: (Optional) This example is the secondary hub BR using Tunnel 11 with INET as the provider and the zero-sla feature. If this is an existing configuration, you shut down the interface, add the zero SLA feature, and then bring the interface back up.

```
interface Tunnel11
 shutdown
 domain iwan path INET1 path-id 2 zero-sla
 no shutdown
```

Step 4: Verify the border is operational by using the **show domain [name] border status** command.

Step 5: Repeat this procedure for each transit BR by using the appropriate path name and path-id.

Procedure 5 Verify PfR domain is operational on the transit MC

The PfR path names and path-ids are automatically discovered at the remote site routers from the configuration entered into the tunnel interfaces at the hub and transit sites. The hub MC uses the path names and path-ids to determine where traffic should be sent according to its policies.

Step 1: Verify the domain is operational from the transit MC using the **show domain [name] master status** command.

PROCESS

Configuring Remote-Site Routers for Transit Site BRs

1. Configure NHRP at remote site
2. Configure BGP POP selection at remote site

There are additional commands you need to configure at a remote site to begin using the transit site BRs.

Procedure 1 Configure NHRP at remote site

An additional NHRP command has to be added to the tunnel interfaces of remote site BRs for them to begin using the transit BRs.

Table 83 NHRP parameters

Hostname	Tunnel type	Tunnel number	Tunnel IP address	MPLS/public IP address
HY-MPLS1-ASR1002X-T1	MPLS1	10	10.6.34.2	192.168.6.41
HY-INET1-ASR1002X-T2	INET1	11	10.6.36.2	172.16.140.2 (ISP A)

Step 1: Configure NHRP.

The DMVPN hub router is the NHRP server for all of the spokes. Remote routers use NHRP in order to determine the tunnel destinations for peers attached to the mGRE tunnel.

The spoke router requires an additional configuration statement in order to define the NHRP server. This statement includes the NBMA definition for the DMVPN hub router tunnel endpoint. Spoke routers require the NHRP multicast keyword in this statement.

The value used for the NHS is the mGRE tunnel address for the DMVPN hub router. The NBMA entry must be set to either the MPLS DMVPN hub router's actual public address or the outside NAT value of the DMVPN hub, as configured on the Cisco ASA 5500. This design uses the values shown in the table above.

Example: Single-router remote site for hybrid-RS11-2921

```
interface Tunnel10
 ip nhrp nhs 10.6.34.2 nbma 192.168.6.41 multicast

interface Tunnel11
 ip nhrp nhs 10.6.36.2 nbma 172.16.140.2 multicast
```

Step 2: Confirm the hub and transit BRs are reachable with `show ip eigrp neighbors`.

```
RS11-2921#show ip eigrp neighbors
EIGRP-IPv4 VR(IWAN-EIGRP) Address-Family Neighbors for AS(400)
H   Address      Interface      Hold Uptime    SRTT  RTO  Q   Seq
                               (sec)          (ms)          Cnt  Num
3   10.6.36.1     Tu11           55 1w3d         1    100  0   7806
2   10.6.34.1     Tu10           55 5w5d         1    100  0  17528
0   10.6.34.2     Tu10           57 5w5d         1    100  0   8851
1   10.6.36.2     Tu11           56 5w5d         1    100  0  16134
```

Step 3: Repeat this procedure for each remote site that will use the transit BRs.**Procedure 2** Configure BGP POP selection at remote site**Optional**

Use this optional procedure in order to select a BGP POP preference. If you are not running BGP or do not want to select POP preference, skip to the next section.

Step 1: Configure BGP to display communities in the format AA:NN.

```
ip bgp-community new-format
```

Step 2: Define the community lists to identify the border routers from POP1 and POP 2.

```
ip community-list standard POP1-MPLS1 permit 65100:100
ip community-list standard POP1-INET1 permit 65100:200

ip community-list standard POP2-MPLS1 permit 65100:101
ip community-list standard POP2-INET1 permit 65100:201
```

Step 3: Create the inbound route maps and update the outbound route map.

Update the outbound route map with a community string to signal the POP preference to the border routers.

Example:

65100:10 to prefer POP 1 (hub site)

65100:20 to prefer POP 2 (transit site)

Use a community string in the form of AS:NN with AS being the BGP autonomous system number and NN being the value that selects the preferred POP.

On the inbound route maps, set the local preference higher for preferred POP border routers.



Example: Remote site prefers POP1

```
route-map SPOKE-OUT permit 10
  description Prefer POP1 with community 65100:10
  set community 65100:10

route-map POP-SELECT permit 100
  description Prefer POP1 with higher LP
  match community POP1-MPLS1
  set local-preference 800

route-map POP-SELECT permit 120
  description Prefer POP1 with higher LP
  match community POP1-INET1
  set local-preference 780

route-map POP-SELECT permit 200
  match community POP2-MPLS1
  set local-preference 600

route-map POP-SELECT permit 220
  match community POP2-INET1
  set local-preference 580

route-map POP-SELECT permit 1000
  description If no match do not set LP
```

Example: Remote site prefers POP2

```
route-map SPOKE-OUT permit 10
  description Prefer POP2 with community 65100:20
  set community 65100:20

route-map POP-SELECT permit 100
  match community POP1-MPLS1
  set local-preference 600

route-map POP-SELECT permit 120
  match community POP1-INET1
  set local-preference 580

route-map POP-SELECT permit 200
  description Prefer POP2 with higher LP
  match community POP2-MPLS1
  set local-preference 800

route-map POP-SELECT permit 220
  description Prefer POP2 with higher LP
  match community POP2-INET1
  set local-preference 780

route-map POP-SELECT permit 1000
  description If no match do not set LP
```

Step 4: Apply the POP select route map on the inbound WAN transport.

```
router bgp 65100
  address-family ipv4
    neighbor MPLS2-HUB route-map POP-SELECT in
```

Step 5: Repeat this process for each remote site that will use the transit BRs.

Deploying Multiple WAN Transports

This design helps organizations scale their IWAN deployments beyond a single pair of WAN transports at a POP location.

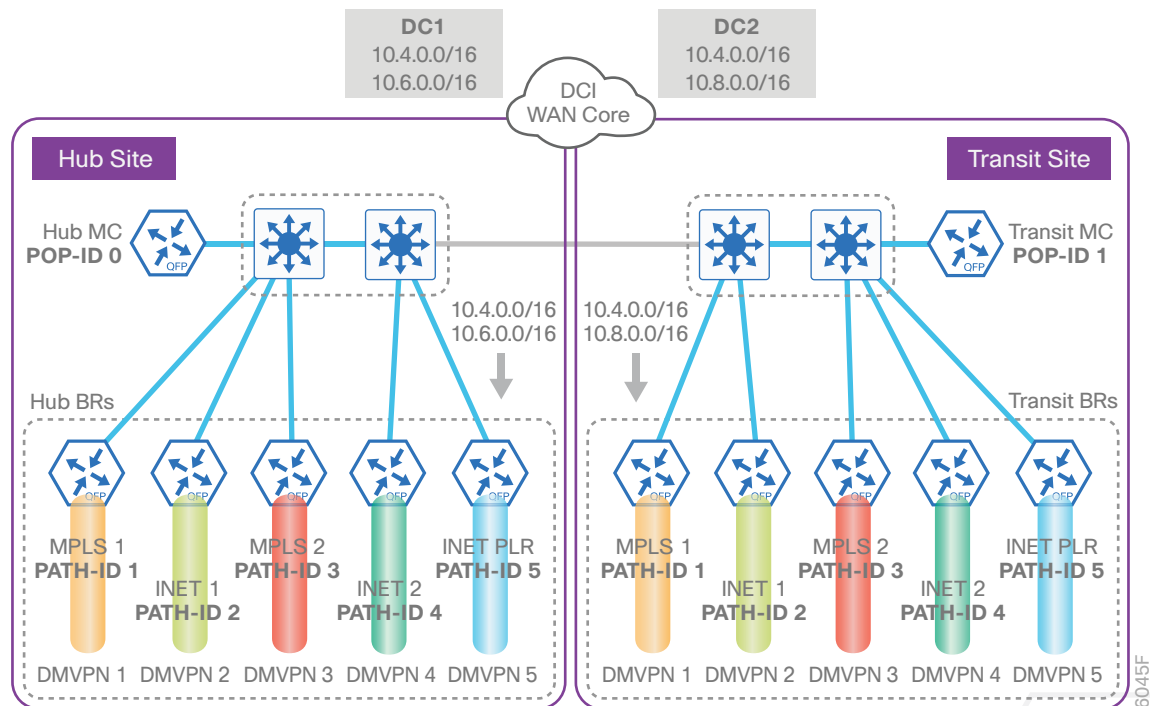
This design enables the following capabilities:

- Up to nine WAN transports at each POP with one designated as a path of last resort
- Convergence across WAN transports when all channels in a given transport fail or reach their maximum bandwidth limits
- Up to three WAN transports at a single-router remote site
- Up to five WAN transports at a dual-router remote site

This design adds multiple WAN transports to any of the previous design models. The multiple transport design model is not limited to two MPLS, two Internet, and one PLR transport, but this specific design is used to discuss the underlying principles. The same concepts can be applied to other multiple transport designs.

The following diagram shows the IWAN dual hybrid with PLR design model.

Figure 17 IWAN dual hybrid with PLR design model



PROCESS

Configuring Border Routers for Multiple WAN Transports

1. Copy the configuration from the existing router to the new router
2. Configure the BR platform
3. Configure connectivity to the LAN
4. Configure the routing protocol for the LAN
5. Connect to the MPLS WAN or Internet
6. Configure the mGRE tunnel
7. Configure the routing protocol for the WAN
8. Configure network address translation on the firewall

For this process, you configure three new hub BRs and three new transit BRs with similar base configurations as your existing hub and transit BRs. You also have to make changes to the hub master controller and the remote site routers to take advantage of the new border routers.

The new hub and transit site BRs have unique IP addresses and port-channel assignments, but the rest of the configuration items are the same as the existing border routers.

Follow the process “Configuring DMVPN Hub Router,” using the base PfR information from the existing hub BRs. Make the required changes from the procedures below to add the new WAN transports to your IWAN domain.

The example below is for the MPLS2 hub BR. However, the process can be used for any of the BRs in this design. This model has five border routers at the hub site and five border routers at the transit site.

Procedure 1 Copy the configuration from the existing router to the new router

Optional

If you do not want to copy the configuration from an existing router, skip this procedure.

If the hardware for the corresponding new BR is identical to an existing BR, you can use this optional procedure to copy the configuration file from one router to the other as a starting point and then follow the procedures below. If you are creating a new MPLS BR, start with an existing MPLS BR, and if you are creating a new INET BR, start with an existing INET BR.

Step 1: Copy the running configuration from an existing router to your FTP server.

```
HY-MPLS1-ASR1002X-1# copy running-config ftp://cisco:cisco@10.4.48.27
Address or name of remote host [10.4.48.27]?
Destination filename [hy-mpls1-asr1002x-1-config]?
Writing hy-mpls1-asr1002x-1-config !
15884 bytes copied in 0.800 secs (12707 bytes/sec)
```

Step 2: From the console of the new BR, copy and paste the configuration into the router before making the changes below.

You can also make the changes below in a text editor before pasting the configuration into the router.

Procedure 2 Configure the BR platform

In this procedure, you configure system settings that are unique to the new BR.

Table 84 Path, loopback IP addresses and F-VRF for hub BRs

Host name	Path	Path ID	Loopback IP address	WAN Transport F-VRF
HY-MPLS1-ASR1002X-1	MPLS1	1	10.6.32.241/32	IWAN-Transport-1
HY-INET1-ASR1002X-2	INET1	2	10.6.32.242/32	IWAN-Transport-2
HY-MPLS2-ASR1002X-3	MPLS 2	3	10.6.32.243/32	IWAN-Transport-3
HY-INET2-ASR1002X-4	INET 2	4	10.6.32.244/32	IWAN-Transport-4
HY-INET4G-ASR1002X-5	PLR	5	10.6.32.245/32	IWAN-Transport-5

Table 85 Path, loopback IP addresses and F-VRF for transit BRs

Host name	Path	Path ID	Loopback IP address	WAN Transport F-VRF
HY-MPLS1-ASR1002X-T1	MPLS1	1	10.8.32.241/32	IWAN-Transport-1
HY-INET1-ASR1002X-T2	INET1	2	10.8.32.242/32	IWAN-Transport-2
HY-MPLS2-ASR1002X-T3	MPLS 2	3	10.8.32.243/32	IWAN-Transport-3
HY-INET2-ASR1002X-T4	INET 2	4	10.8.32.244/32	IWAN-Transport-4
HY-INET4G-ASR1002X-T5	PLR	5	10.8.32.245/32	IWAN-Transport-5

Step 1: Configure the device host name to make it easy to identify the device.

```
hostname HY-MPLS2-ASR1002X-3
```

Step 2: Configure an in-band management interface.

The loopback interface is a logical interface that is always reachable as long as the device is powered on and any IP interface is reachable to the network.

The loopback address is commonly a host address with a 32-bit address mask.

```
interface Loopback 0
  ip address 10.6.32.243 255.255.255.255
```

Procedure 3 Configure connectivity to the LAN

Any links to adjacent distribution layers should be Layer 3 links or Layer 3 EtherChannels. Choose a unique port-channel interface from the LAN switch perspective.

Table 86 Port channels and outside interface IP address for hub BRs

Host name	Port-channel numbers	Port-channel IP address	MPLS / Internet DMZ IP address
HY-MPLS1-ASR1002X-1	1	10.6.32.2/30	192.168.6.1/24
HY-INET1-ASR1002X-2	2	10.6.32.6/30	192.168.146.10/24
HY-MPLS2-ASR1002X-3	3	10.6.32.10/30	192.168.7.1/24
HY-INET2-ASR1002X-4	4	10.6.32.14/30	192.168.146.11/24
HY-INET4G-ASR1002X-5	5	10.6.32.18/30	192.168.146.12/24

Table 87 Port channels and outside interface IP address for transit BRs

Host name	Port-channel numbers	Port-channel IP address	MPLS / Internet DMZ IP address
HY-MPLS1-ASR1002X-T1	1	10.8.32.2/30	192.168.6.41/24
HY-INET1-ASR1002X-T2	2	10.8.32.6/30	192.168.146.13/24
HY-MPLS2-ASR1002X-T3	3	10.8.32.10/30	192.168.7.41/24
HY-INET2-ASR1002X-T4	4	10.8.32.14/30	192.168.146.14/24
HY-INET4G-ASR1002X-T5	5	10.8.32.18/30	192.168.146.15/24

Step 1: Configure a Layer 3 interface.

```
interface Port-channel3
  description IWAN-D3750X
  ip address 10.6.32.10 255.255.255.252
  ip pim sparse-mode
  no shutdown
```

Step 2: Configure EtherChannel member interfaces.

Configure the physical interfaces to tie to the logical port-channel by using the **channel-group** command. The number for the port-channel and channel-group must match. Not all router platforms can support LACP to negotiate with the switch, so EtherChannel is configured statically.

```
interface GigabitEthernet0/0/0
  description IWAN-D3750X Gig1/0/3

interface GigabitEthernet0/0/1
  description IWAN-D3750X Gig2/0/3

interface range GigabitEthernet0/0/0, GigabitEthernet0/0/1
  no ip address
  cdp enable
  channel-group 3
  no shutdown
```

Procedure 4 Configure the routing protocol for the LAN

If you are planning to use EIGRP, choose option 1. If you are planning to use BGP on the WAN and OSPF on the LAN, choose option 2.

Option 1: EIGRP on the LAN

The following table shows the EIGRP LAN delay in use.

Table 88 EIGRP LAN delay for IWAN hub and transit routers

LAN Interface	EIGRP LAN Delay (10 usec)
All LAN	50000

Step 1: Configure IP unicast routing using EIGRP named mode.

In this design, the tunnel, port-channel, and loopback must be EIGRP interfaces. The loopback may remain a passive interface. The network range must include all interface IP addresses, either in a single network statement or in multiple network statements.

This design uses a best practice of assigning the router ID to a loopback address.

```
router eigrp IWAN-EIGRP
  address-family ipv4 unicast autonomous-system 400
  network 10.6.0.0 0.1.255.255
  eigrp router-id 10.6.32.243
  exit-address-family
```

Step 2: Configure the EIGRP interface.

Allow EIGRP to form neighbor relationships across the interface to establish peering adjacencies and exchange route tables. In this step, you configure EIGRP authentication by using the authentication key specified in the previous procedure.

```
router eigrp IWAN-EIGRP
  address-family ipv4 unicast autonomous-system 400
  af-interface Port-channel3
  no passive-interface
  authentication mode md5
  authentication key-chain LAN-KEY
  exit-af-interface
  exit-address-family
```

Step 3: Configure the throughput delay on the LAN interface.

At the hub location where there are multiple border routers, the interface throughput delay setting should be set to influence the EIGRP routing protocol path preference.

Tech Tip

If you are using Port-channel interfaces with two Gigabit Ethernet members as recommended in this guide, you will have to double the LAN path delay to 500000 microseconds (usec), instead of the standard IWAN setting of 250000.

Set the internal LAN path to 500000 microseconds (usec). The delay command is entered in 10 usec units.

```
interface Port-channel3
  delay 50000
```

Option 2: OSPF on the LAN

Step 1: Configure OSPF Area 0 by using the loopback interface IP address as the router-id.

```
router ospf 100
  router-id 10.6.32.243
```

Step 2: Remove passive interface for the LAN interface.

```
router ospf 100
  no passive-interface Port-channel3
```


Procedure 5 Connect to the MPLS WAN or Internet

Each IWAN DMVPN hub requires a connection to the WAN transport, which for the dual hybrid model is either MPLS or Internet.

If you are using MPLS in this design, the DMVPN hub is connected to the service provider's MPLS PE router. The IP addressing used between IWAN CE and MPLS PE routers must be negotiated with your MPLS carrier.

If you are using the Internet in this design, the DMVPN hub is connected through a Cisco ASA 5500 using a DMZ interface specifically created and configured for a VPN termination router.

The IP address that you use for the Internet-facing interface of the DMVPN hub router must be an Internet-routable address. There are two possible methods for accomplishing this task:

- Assign a routable IP address directly to the router.
- Assign a non-routable RFC-1918 address directly to the router and use a static NAT on the Cisco ASA 5500 to translate the router IP address to a routable IP address.

This design assumes that the Cisco ASA 5500 is configured for static NAT for the DMVPN hub router.

Option 1: MPLS WAN physical WAN interface

The DMVPN design is using FVRF, so you must place the WAN interface into the VRF from the table above.

Step 1: Enable the interface, select the VRF, and assign the IP address.

```
interface GigabitEthernet0/0/3
 vrf forwarding IWAN-TRANSPORT-3
 ip address 192.168.7.1 255.255.255.252
 no shutdown
```

Step 2: Configure the VRF-specific default routing.

The VRF created for FVRF must have its own default route to the MPLS. This default route points to the MPLS PE router's IP address and is used by DMVPN for tunnel establishment.

```
ip route vrf IWAN-TRANSPORT-3 0.0.0.0 0.0.0.0 192.168.7.2
```

Option 2: Internet WAN physical WAN interface

The DMVPN design is using FVRF, so you must place the WAN interface into the VRF from the table above.

Step 1: Enable the interface, select the VRF, and assign the IP address.

```
interface GigabitEthernet0/0/3
 vrf forwarding IWAN-TRANSPORT-4
 ip address 192.168.146.11 255.255.255.0
 no shutdown
```

Step 2: Configure the VRF-specific default routing.

The VRF created for FVRF must have its own default route to the Internet. This default route points to the Cisco ASA 5500's DMZ interface IP address.

```
ip route vrf IWAN-TRANSPORT-4 0.0.0.0 0.0.0.0 192.168.146.1
```

Procedure 6 Configure the mGRE tunnel

The parameters in the table below are used in this procedure. Choose the row that represents the BR that you are configuring. This procedure applies to the MPLS2 hub BR in the IWAN dual hybrid with PLR design model.

Table 89 DMVPN tunnel parameters for hub BR

Hostname	Tunnel type	Tunnel number	Tunnel IP address
HY-MPLS1-ASR1002X-1	MPLS1	10	10.6.34.1/23
HY-INET1-ASR1002X-2	INET1	11	10.6.36.1/23
HY-MPLS2-ASR1002X-3	MPLS2	12	10.6.38.1/23
HY-INET2-ASR1002X-4	INET2	13	10.6.40.1/23
HY-INET4G-ASR1002X-5	PLR	14	10.6.44.1/23

Table 90 DMVPN tunnel parameters for transit BR

Hostname	Tunnel type	Tunnel number	Tunnel IP address
HY-MPLS1-ASR1002X-T1	MPLS1	10	10.6.34.2/23
HY-INET1-ASR1002X-T2	INET1	11	10.6.36.2/23
HY-MPLS2-ASR1002X-T3	MPLS2	12	10.6.38.2/23
HY-INET2-ASR1002X-T4	INET2	13	10.6.40.2/23
HY-INET4G-ASR1002X-T5	PLR	14	10.6.44.2/23

Step 1: Configure the basic interface settings.

The tunnel number is arbitrary, but it is best to begin tunnel numbering at 10 or above, because other features deployed in this design may also require tunnels and they may select lower numbers by default.

```
interface Tunnel12
  ip address 10.6.38.1 255.255.254.0
```

Step 2: (Optional) If this is a PLR tunnel interface, configure the domain path with the path of last resort feature.

The **path-last-resort** keyword activates the PLR feature on the tunnel interface. The following PLR modes are supported:

- **Standby mode**—No traffic classes are currently routed over the path of last resort service provider.
- **Active mode**—Traffic classes are currently routed over the path of last resort service provider.
- **Disabled mode**—The path of last resort is not enabled.

Tech Tip

The channels of the PLR are inactive when it is in standby mode. Once the PLR is active, smart probes are sent only on DSCP 0 (Zero SLA) to conserve bandwidth. In addition, smart probe frequency is reduced to 1 packet every 10 seconds from 20 packets per seconds and unreachable detection is extended to 60 seconds.

```
interface Tunnel14
  domain iwan path INET4G path-id 5 path-last-resort
```

Procedure 7 Configure the routing protocol for the WAN

If you are planning to use EIGRP, choose option 1. If you are planning to use BGP on the WAN and OSPF on the LAN, choose option 2.

Option 1: EIGRP on the WAN

The following table shows the DMVPN tunnel names and EIGRP WAN delay in use.

Table 91 EIGRP WAN delay for IWAN hybrid hub and transit routers

DMVPN Tunnel	EIGRP WAN Delay (10 usec)
Tunnel10	1000 (MPLS1)
Tunnel11	2000 (INET1)
Tunnel12	1100 (MPLS2)
Tunnel13	2100 (INET2)
Tunnel14	2200 (PLR)

Step 1: Configure EIGRP network summarization.

The IP assignments for the entire network were designed so they can be summarized within a few aggregate routes. As configured below, the **summary-address** command suppresses the more specific routes. If any network within the summary is present in the route table, the summary is advertised to the remote sites, which offers a measure of resiliency. If the various networks cannot be summarized, then EIGRP continues to advertise the specific routes.

```
router eigrp IWAN-EIGRP
  address-family ipv4 unicast autonomous-system 400
  af-interface Tunnel10
    summary-address 10.6.0.0 255.255.0.0
    summary-address 10.7.0.0 255.255.0.0
    summary-address 10.8.0.0 255.255.0.0
    summary-address 10.255.240.0 255.255.248.0
  exit-af-interface
```

Step 2: Configure EIGRP summary metrics.

Step 3: If there are many component routes to be summarized and the component routes are frequently updated, the metrics are also updated frequently, which may cause a spike in the CPU usage. The **summary-metric** command explicitly sets the metric for the summary regardless of the component route metric, which reduces the computational load on a router.

The first value is the bandwidth metric in Kbits per second. The second value is the delay metric in 10 usecs. The third value is the reliability metric where 255 is 100% reliable. The fourth value is the effective bandwidth metric (loading) where 255 is 100% loaded. The fifth value is the MTU of the path.

Tech Tip

EIGRP uses the path's minimum bandwidth as part of the metric calculation. The path's minimum bandwidth is defined in a route advertisement in the minimum bandwidth path attribute. Setting the summary metric bandwidth (first value) to 10 Mbps essentially removes the ability to differentiate between a 10 Mbps tunnel (MPLS1) and a 100 Mbps circuit (INET1) because both paths have a minimum bandwidth of 10 Mbps. Setting the summary metric bandwidth to 10 Gbps as recommended in this guide allows the calculations on the branch router to differentiate tunnel bandwidth regardless of the size of each path.

Use the identical values for each summary address defined in the previous step.

```
router eigrp IWAN-EIGRP
  address-family ipv4 unicast autonomous-system 400
  topology base
    summary-metric 10.6.0.0/16 10000000 10000 255 1 1500
    summary-metric 10.7.0.0/16 10000000 10000 255 1 1500
    summary-metric 10.8.0.0/16 10000000 10000 255 1 1500
    summary-metric 10.255.240.0/21 10000000 10000 255 1 1500
  exit-af-topology
```

Step 4: Configure the throughput delay on the tunnel interface.

The tunnel interface throughput delay setting should be set to influence the EIGRP routing protocol path preference. Set the WAN path delay using the values from the table at the top of this procedure. The delay command is entered in 10 usec units.

```
interface Tunnel12
  delay 1100
```

Step 5: Tag and filter the routes.

This design uses a single EIGRP autonomous system for the WAN and all of the WAN remote sites. Every remote site is dual-connected for resiliency. However, due to the multiple paths that exist within this topology, you must try to avoid routing loops and to prevent remote sites from becoming transit sites if WAN failures were to occur.

In this design, there are different IP subnets for each DMVPN network, and the EIGRP tags are clearly defined to help with readability and troubleshooting. When a design uses more than one data center, additional tags are required in order to identify the different DMVPN hub router locations.

The following logic is used to control the routing.

- Each DMVPN network will have an EIGRP route tag to prevent routes from being re-advertised over the other DMVPN networks at the remote sites.
- All prefixes that are advertised towards the WAN are uniquely tagged.
- All DMVPN learned WAN prefixes, except those that originate locally from a hub, are advertised towards the LAN and tagged.

Outbound distribute-lists are used to set tags on the DMVPN hub routers towards the WAN and LAN.

The DMVPN hub routers use an inbound distribute-list in order to limit which routes are accepted for installation into the route table. These routers are configured to only accept routes that do not originate from the other data center's MPLS and DMVPN WAN sources. To accomplish this task, during the route redistribution process, the DMVPN hub router must explicitly tag the DMVPN learned WAN routes. The following tables show specific route tags in use.

Table 92 Route tag information for hub BRs

DMVPN hub	DMVPN tunnel key	Tag tunnel	Block tunnel	Tag LAN
HY-MPLS1-ASR1002X-1	101 (MPLS1)	101 (All routes)	106 (DC2 tagged routes)	101 (WAN routes)
HY-INET1-ASR1002X-2	102 (INET1)	102 (All routes)	107 (DC2 tagged routes)	102 (WAN routes)
HY-MPLS2-ASR1002X-3	103 (MPLS2)	103 (All routes)	108 (DC2 tagged routes)	103 (WAN routes)
HY-INET2-ASR1002X-4	104 (INET2)	104 (All routes)	109 (DC2 tagged routes)	104 (WAN routes)
HY-INET4G-ASR1002X-5	105 (INET PLR)	105 (All routes)	110 (DC2 tagged routes)	105 (WAN routes)

Table 93 Route tag information for transit BRs

DMVPN hub	DMVPN tunnel key	Tag tunnel	Block tunnel	Tag LAN
HY-MPLS1-ASR1002X-T1	106 (MPLS1)	106 (All routes)	101 (DC1 tagged routes)	106 (WAN routes)
HY-INET1-ASR1002X-T2	107 (INET1)	107 (All routes)	102 (DC1 tagged routes)	107 (WAN routes)
HY-MPLS2-ASR1002X-T3	108 (MPLS2)	108 (All routes)	103 (DC1 tagged routes)	108 (WAN routes)
HY-INET2-ASR1002X-T4	109 (INET2)	109 (All routes)	104 (DC1 tagged routes)	109 (WAN routes)
HY-INET4G-ASR1002X-T5	110 (INET PLR)	110 (All routes)	105 (DC1 tagged routes)	110 (WAN routes)

The following example shows the MPLS2 hub border router in the IWAN dual hybrid design model.

Example: MPLS2 hub border router–HY-MPLS2-ASR1002X-3

```
route-map SET-TAG-ALL permit 10
  description Tag all routes advertised through the tunnel
  set tag 103

! All MPLS tunnel interfaces are in this IP address range
ip access-list standard DMVPN-3-SPOKES
  permit 10.6.38.0 0.0.1.255

route-map SET-TAG-DMVPN-3 permit 10
  description Tag all incoming routes advertised through LAN interface
  match ip route-source DMVPN-3-SPOKES
  set tag 103
route-map SET-TAG-DMVPN-3 permit 100
  description Advertise all other routes with no tag

route-map BLOCK-DC2-DMVPN-3 deny 10
  description Block Summary route from other border
  match tag 108
route-map BLOCK-DC2-DMVPN-3 permit 100
  description Advertise all other routes

router eigrp IWAN-EIGRP
  address-family ipv4 unicast autonomous-system 400
    topology base
    distribute-list route-map SET-TAG-DMVPN-3 out Port-channel3
    distribute-list route-map SET-TAG-ALL out Tunnel12
    distribute-list route-map BLOCK-DC2-DMVPN-3 in Tunnel12
```

Option 2: BGP on the WAN

The following tables show the tunnel DMVPN IP subnets, local preferences, community strings, and metrics in use.

Table 94 Tunnel IPs, local preferences, community strings, and metrics for hub BRs

DMVPN hub router	DMVPN Tunnel IP Subnet	BGP Local Preference	BGP Community String	OSPF Metric Preferred POP	OSPF Metric Secondary POP
HY-MPLS1-ASR1002X-1	10.6.34.0/23	800 (MPLS1)	65100:100	1000	2000
HY-INET1-ASR1002X-2	10.6.36.0/23	780 (INET1)	65100:200	1200	2200
HY-MPLS2-ASR1002X-3	10.6.38.0/23	790 (MPLS2)	65100:300	1100	2100
HY-INET2-ASR1002X-4	10.6.40.0/23	770 (INET2)	65100:400	1300	2300
HY-INET4G-ASR1002X-5	10.6.44.0/23	760 (PLR)	65100:500	1400	2400

Table 95 Tunnel IPs, local preferences, community strings, and metrics for transit BRs

DMVPN hub router	DMVPN Tunnel IP Subnet	BGP Local Preference	BGP Community String	OSPF Metric Preferred POP	OSPF Metric Secondary POP
HY-MPLS1-ASR1002X-T1	10.6.34.0/23	600 (MPLS1)	65100:101	1000	2000
HY-INET1-ASR1002X-T2	10.6.36.0/23	580 (INET1)	65100:201	1200	2200
HY-MPLS2-ASR1002X-T3	10.6.38.0/23	590 (MPLS2)	65100:301	1100	2100
HY-INET2-ASR1002X-T4	10.6.40.0/23	570 (INET2)	65100:401	1300	2300
HY-INET4G-ASR1002X-T5	10.6.44.0/23	560 (PLR)	65100:501	1400	2400

Step 1: Configure BGP values for the tunnel interface.

Use a private AS number for the BGP process. Assign this router's loopback address as the BGP router-id. Log the neighbor changes. Create a listen range that includes the subnet range of the tunnel interface. For internal BGP, use the same AS number for the remote sites. Create the route reflector and use the tunnel as the update source interface. Adjust the BGP hello and hold timers to 20 seconds and 60 seconds, respectively.

```

router bgp 65100
  bgp router-id 10.6.32.243
  bgp log-neighbor-changes
  bgp listen range 10.6.38.0/23 peer-group MPLS2-SPOKES
  neighbor MPLS2-SPOKES peer-group
  neighbor MPLS2-SPOKES remote-as 65100
  neighbor MPLS2-SPOKES description MPLS2 Spoke Route Reflector
  neighbor MPLS2-SPOKES update-source Tunnel12
  neighbor MPLS2-SPOKES timers 20 60

```


Step 2: Create the static null routes for the enterprise summary prefix and the site-specific prefixes.

```
ip route 10.4.0.0 255.252.0.0 Null0 254
ip route 10.6.0.0 255.255.0.0 Null0 254
ip route 10.4.0.0 255.255.0.0 Null0 254
```

Step 3: Configure the BGP address family.

Define the network statements for the default network, the enterprise summary prefix, the site-specific prefixes and the local MC loopback IP address the router will advertise to the remote sites. Configure BGP dynamic neighbors for the remote sites. Set the BGP distance and redistribute the internal networks.

```
router bgp 65100
address-family ipv4
  bgp redistribute-internal
  network 0.0.0.0
  network 10.4.0.0 mask 255.252.0.0
  network 10.4.0.0 mask 255.255.0.0
  network 10.6.0.0 mask 255.255.0.0
  network 10.6.32.251 mask 255.255.255.255
  neighbor MPLS2-SPOKES activate
  neighbor MPLS2-SPOKES send-community
  neighbor MPLS2-SPOKES route-reflector-client
  neighbor MPLS2-SPOKES next-hop-self all
  neighbor MPLS2-SPOKES weight 50000
  neighbor MPLS2-SPOKES soft-reconfiguration inbound
  distance bgp 201 19 200
exit-address-family
```

Step 4: Create the prefix lists for BGP.

Define the prefix-lists for the default network, the enterprise summary prefix, the site-specific prefixes, the local MC loopback IP address, and the subnet ranges for the DMVPN tunnels.

```
ip prefix-list DEFAULT-ROUTE seq 10 permit 0.0.0.0/0
ip prefix-list ENTERPRISE-PREFIX seq 10 permit 10.4.0.0/14
ip prefix-list LOCALDC-PREFIX seq 10 permit 10.4.0.0/16
ip prefix-list LOCALDC-PREFIX seq 20 permit 10.6.0.0/16
ip prefix-list LOCALMCLOOPBACK seq 10 permit 10.6.32.251/32
ip prefix-list TUNNEL-DMVPN seq 10 permit 10.6.38.0/23
```

Step 5: Create and apply the prefix route maps for BGP.

Define the route map to block prefixes inbound on the tunnel interface. Define the route map to allow prefixes to go out on the tunnel interface. Set the local preference and the community string for this DMVPN hub router. Apply the route maps to the BGP address family. Configure BGP to display communities in the format AA:NN.

Example: MPLS2 hub border router–HY-MPLS2-ASR1002X-3

```
ip bgp-community new-format

route-map MPLS2-IN deny 10
  description All Blocked Prefixes to come IN on BGP
  match ip address prefix-list DEFAULT-ROUTE ENTERPRISE-PREFIX LOCALDC-PREFIX LO-  
CALMCLOOPBACK TUNNEL-DMVPN

route-map MPLS2-IN permit 1000
  description Allow Everything Else

route-map MPLS2-OUT permit 10
  description All Allowed Prefixes to Go OUT on BGP to Spokes
  match ip address prefix-list DEFAULT-ROUTE ENTERPRISE-PREFIX LOCALDC-PREFIX LO-  
CALMCLOOPBACK
  set local-preference 790
  set community 65100:300

router bgp 65100
  address-family ipv4
    neighbor MPLS2-SPOKES route-map MPLS2-IN in
    neighbor MPLS2-SPOKES route-map MPLS2-OUT out
  exit-address-family
```

Step 6: Create and apply the BGP to OSPF redistribution route map for OSPF.

When there are two or more POP sites, there might be certain remote sites that want to prefer one POP over the other. This preference choice is done using a community string value that is sent by the remote site router to indicate which POP they prefer.

This example uses a community string in the form of AS:NN with AS being the BGP autonomous system number and NN being the value that selects the preferred POP.

Example:

65100:10 to prefer POP 1 (hub site)

65100:20 to prefer POP 2 (transit site)

The hub and transit BRs use the community string value they receive from the remote site in order to determine the OSPF metric for each location. The hub location matches the POP2 community string to set the higher metric values.

Define the community list to classify the remote sites as preferring POP1 or POP 2. Define the route map to block null routes from being distributed into OSPF. Set the metric to the appropriate value for the POP chosen by the remote site community string value. Apply the route map to the OSPF process when redistributing BGP.

Example: MPLS2 hub border router–HY-MPLS2-ASR1002X-3

```
ip community-list standard POP2-SPOKES permit 65100:20

route-map REDIST-BGP-TO-OSPF permit 10
description Secondary POP2 with higher Metric
match community POP2-SPOKES
set metric 2100
set metric-type type-1

route-map REDIST-BGP-TO-OSPF deny 20
description Block Null routes to be distributed from BGP to OSPF
match ip address prefix-list DEFAULT-ROUTE ENTERPRISE-PREFIX LOCALDC-PREFIX

route-map REDIST-BGP-TO-OSPF permit 1000
description Prefer POP1 with lower Metric
set metric 1100
set metric-type type-1

router ospf 100
redistribute bgp 65100 subnets route-map REDIST-BGP-TO-OSPF
```

Procedure 8 Configure network address translation on the firewall

You have to add the new Internet BRs to your firewall configuration for network address translation.

The DMZ network uses private network (RFC 1918) addressing that is not Internet-routable, so the firewall must translate the DMZ address of the DMVPN hub router to an outside public address.

The example DMZ address to public IP address mapping is shown in the following tables.

Table 96 DMVPN NAT address mapping for hub BRs

Hostname	DMVPN hub router DMZ address	DMVPN hub router public address (externally routable after NAT)
HY-INET2-ASR1002X-4	192.168.146.11	172.17.140.1 (ISP-B)
HY-INET4G-ASR1002X-5	192.168.146.12	172.18.140.1 (ISP-C)

Table 97 DMVPN NAT address mapping for transit BRs

Hostname	DMVPN hub router DMZ address	DMVPN hub router public address (externally routable after NAT)
HY-INET2-ASR1002X-T4	192.168.146.14	172.17.140.2 (ISP-B)
HY-INET4G-ASR1002X-T5	192.168.146.15	172.18.140.2 (ISP-C)

First, to simplify the configuration of the security policy, you create the External DMZ network objects that are used in the firewall policies.

Table 98 External DMZ firewall network objects for hub BRs

Network object name	Object type	IP address	Description
outside-dmvpn-4-ISPb	Host	172.17.140.1	DMVPN hub router 4 on ISP B (outside)
outside-dmvpn-5-ISPc	Host	172.18.140.1	DMVPN hub router 5 on ISP C (outside)

Table 99 External DMZ firewall network objects for transit BRs

Network object name	Object type	IP address	Description
outside-dmvpn-T4-ISPb	Host	172.17.140.2	DMVPN hub router T4 on ISP B (outside)
outside-dmvpn-T5-ISPc	Host	172.18.140.2	DMVPN hub router T5 on ISP C (outside)

Step 1: Navigate to **Configuration > Firewall > Objects > Network Objects/Groups**.

Step 2: Click **Add > Network Object**.

The Add Network Object dialog box appears.

Step 3: In the **Name** box, enter the name. (Example: outside-dmvpn-4-ISPb)

Step 4: In the **Type** list, choose **Host** or **Network**. (Example: Host)

Step 5: In the **IP Address** box, enter the address. (Example: 172.17.140.1)

Step 6: In the **Description** box, enter a useful description, and then click **OK**. (Example: DMVPN hub router 4 on ISP B)

Step 7: Repeat Step 2 through Step 6 for each object listed in the above tables. If an object already exists, then skip to the next object listed in the table.

Step 8: After adding all of the objects listed, on the Network Objects/Groups pane, click **Apply**.

Next, you add a network object for the private DMZ address of the DMVPN hub router.

Table 100 Private DMZ firewall network objects for hub BRs

Network object name	Object type	IP address	Description
dmz-dmvpn-4	Host	192.168.146.11	DMVPN hub router 4 on vpn-dmz
dmz-dmvpn-5	Host	192.168.146.12	DMVPN hub router 5 on vpn-dmz

Table 101 Private DMZ firewall network objects for transit BRs

Network object name	Object type	IP address	Description
dmz-dmvpn-T4	Host	192.168.146.14	DMVPN hub router T4 on vpn-dmz
dmz-dmvpn-T5	Host	192.168.146.15	DMVPN hub router T5 on vpn-dmz

Step 9: Navigate to **Configuration > Firewall > Objects > Network Objects/Groups**.

Step 10: Click **Add > Network Object**.

The Add Network Object dialog box appears.

Step 11: In the **Name** box, enter the name. (Example: dmz-dmvpn-4)

Step 12: In the **Type** list, choose **Host** or **Network**. (Example: Host)

Step 13: In the **IP Address** box, enter the address. (Example: 192.168.146.11)

Step 14: In the **Description** box, enter a useful description, and then click **OK**. (Example: DMVPN hub router 4 on vpn-dmz)

Step 15: Click the two down arrows. The NAT pane expands.

Step 16: Select **Add Automatic Address Translation Rules**.

Step 17: In the **Translated Address** list, choose the network object created previously. (Example: outside-dmvpn-4-ISPb)

Step 18: Select **Use one-to-one address translation**, and then click **OK**.

Step 19: Repeat Step 10 through Step 18 for each object listed in the table above. If an object already exists, then skip to the next object listed in the table.

Step 20: After adding all of the objects listed, on the Network Objects/Groups pane, click **Apply**.

Step 21: Repeat this process for each new border router you add to your IWAN domain.

PROCESS

Configuring PfR for Multiple WAN Transports

1. Configure PfR in the hub MC

For this process, you configure the PfR policy on the hub master controller to use the new WAN transports.

Procedure 1 Configure PfR in the hub MC

There are many options for configuring the PfR policy with multiple transports. The following changes are an example of how you can update your policy to use the new transports, but this is not the only way it can be done. Please configure your policy using the rules that make the most sense for your organization.

Step 1: Update the hub MC load balance preferences.

The dual hybrid design has two MPLS and two INET paths for redundancy. Limit the load balance paths to the two INET paths with fallback to the routing protocol using the **load-balance advanced** feature.

```
domain iwan
vrf default
  master hub
  load-balance advanced
  path-preference INET1 INET2 fallback routing
```

Step 2: Update the PfR policy.

The policies use the PfR predefined templates. The path preference for voice and low latency data use the two MPLS paths with fallback to the two INET paths and a path of last resort. .

Tech Tip

The PLR feature provides the ability to designate a transport such that when the primary and fallback transports become unavailable or are out of bandwidth, traffic is routed over the path of last resort. This feature is used for metered links where data is charged on a usage basis and the path is only used when no other transports are available.

The path preference for real time video uses the two MPLS paths with fallback to the two INET paths. The bulk data and default classes use the two INET paths with fallback to the two MPLS paths and the scavenger class uses two INET paths with fallback to blackhole. The rest of the traffic will be load-balanced between the two INET paths with fallback to routing based on the changes from the previous step.

```
domain iwan
vrf default
  master hub
  load-balance
  class VOICE sequence 10
    match dscp ef policy voice
    path-preference MPLS1 MPLS2 fallback INET1 INET2
    path-last-resort INET4G
  class REAL_TIME_VIDEO sequence 20
    match dscp cs4 policy real-time-video
    match dscp af41 policy real-time-video
    match dscp af42 policy real-time-video
    match dscp af43 policy real-time-video
    path-preference MPLS1 MPLS2 fallback INET1 INET2
  class LOW_LATENCY_DATA sequence 30
    match dscp cs2 policy low-latency-data
    match dscp cs3 policy low-latency-data
    match dscp af21 policy low-latency-data
    match dscp af22 policy low-latency-data
    match dscp af23 policy low-latency-data
    path-preference MPLS1 MPLS2 fallback INET1 next-fallback INET2
    path-last-resort INET4G
  class BULK_DATA sequence 40
    match dscp af11 policy bulk-data
    match dscp af12 policy bulk-data
    match dscp af13 policy bulk-data
    path-preference INET1 INET2 fallback MPLS1 MPLS2
  class SCAVENGER sequence 50
    match dscp cs1 policy scavenger
    path-preference INET1 INET2 fallback blackhole
  class DEFAULT sequence 60
    match dscp default policy best-effort
    path-preference INET1 INET2 fallback MPLS1 MPLS2
```

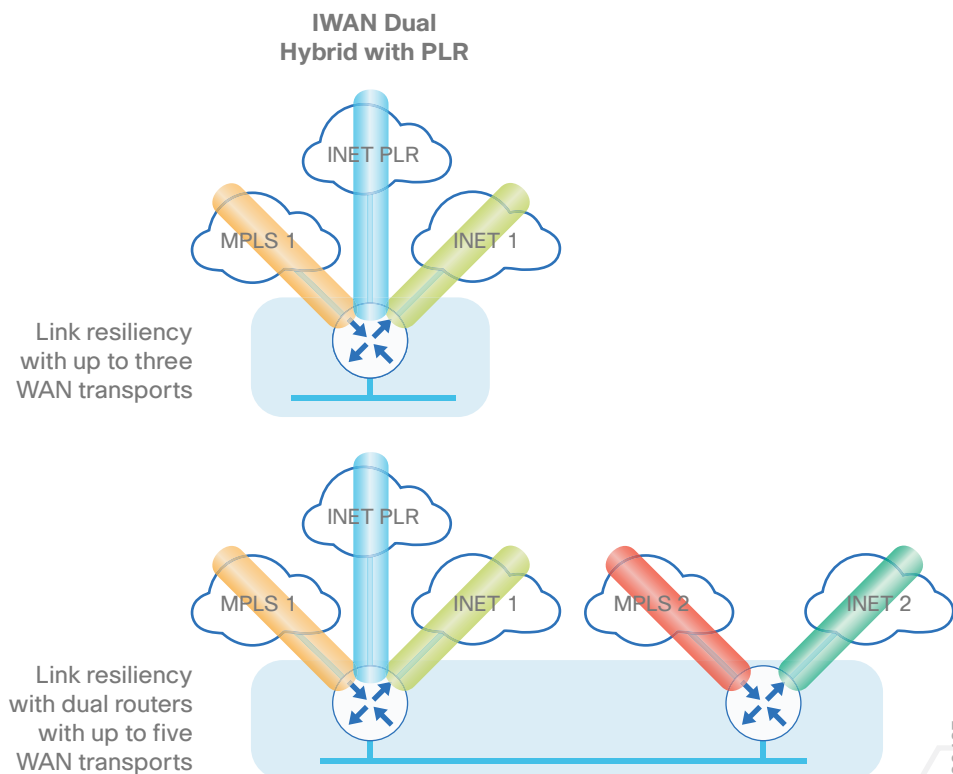
PROCESS

Configuring Remote-Site Routers for Multiple WAN Transports

1. Configure the WAN-facing VRF
2. Connect to the MPLS WAN or Internet
3. Configure the mGRE Tunnel
4. Configure the routing protocol on the WAN
5. Configure BGP POP selection at remote site
6. Configure IP multicast routing for tunnel

The IWAN dual hybrid with PLR design model supports three WAN transports at a single-router remote site and five WAN transports at a dual-router remote site.

Figure 18 IWAN dual hybrid with PLR design model for remote sites



These procedures describe configuring an existing remote site router for an additional WAN transport using MPLS2 as an example.

Procedure 1 Configure the WAN-facing VRF

You create a new WAN-facing VRF in order to support FVRF for the additional WAN transports. The VRF name is arbitrary, but it is useful to select a name that describes the VRF. The VRF must be enabled for IPv4.

Table 102 VRF assignments

Transport Name	WAN VRF
MPLS1	IWAN-TRANSPORT-1
INET1	IWAN-TRANSPORT-2
MPLS2	IWAN-TRANSPORT-3
INET2	IWAN-TRANSPORT-4
INET PLR	IWAN-TRANSPORT-5

This design uses VRF Lite, so the selection is only locally significant to the device. It is a best practice to use the same VRF/RD combination across multiple devices when using VRFs in a similar manner. However, this convention is not strictly required.

Step 1: Configure the primary WAN VRF.

Example: MPLS2 in the IWAN dual hybrid with PLR design model

```
vrf definition IWAN-TRANSPORT-3
  address-family ipv4
```

Procedure 2 Connect to the MPLS WAN or Internet

The remote sites that are using DMVPN can use either static or dynamically assigned IP addresses. Cisco tested the design with static addresses for MPLS connections and DHCP assigned external addresses for Internet connections, which also provides a dynamically configured default route.

If you are using MPLS in this design, the DMVPN spoke router is connected to the service provider's MPLS PE router. The IP addressing used between IWAN CE and MPLS PE routers must be negotiated with your MPLS carrier.

The DMVPN spoke router connects directly to the Internet without a separate firewall. This connection is secured in two ways. Because the Internet interface is in a separate VRF, no traffic can access the global VRF except traffic sourced through the DMVPN tunnel. This design provides implicit security. Additionally, an IP access list permits only the traffic required for an encrypted tunnel, as well as DHCP and various ICMP protocols for troubleshooting.

Option 1: MPLS WAN Physical WAN Interface

The DMVPN design uses FVRF, so you must place this interface into the VRF configured in the previous procedure.

Step 1: Enable the interface, select VRF, and assign the IP address.

Example: MPLS2 in IWAN dual hybrid with PLR design model

```
interface GigabitEthernet0/0/0
  description MPLS2
  vrf forwarding IWAN-TRANSPORT-3
  ip address 192.168.7.21 255.255.255.252
  no shutdown
```

Do not enable PIM on this interface, because no multicast traffic should be requested from this interface.

Step 2: Configure the VRF-specific default routing.

The VRF created for FVRF must have its own default route to the Internet. This default route points to the MPLS PE router's IP address and is used by DMVPN for tunnel establishment.

```
ip route vrf IWAN-TRANSPORT-3 0.0.0.0 0.0.0.0 192.168.7.22
```

Option 2: Internet WAN Physical WAN Interface

The DMVPN design uses FVRF, so you must place this interface into the VRF configured in the previous procedure.

Step 1: Enable the interface, select VRF, and enable DHCP.

Example: INET PLR in the IWAN dual hybrid with PLR design model

```
interface GigabitEthernet0/0/3
  description INET PLR
  vrf forwarding IWAN-TRANSPORT-5
  ip address dhcp
  no cdp enable
  no shutdown
```

Do not enable PIM on this interface, because no multicast traffic should be requested from this interface.

It is not necessary to create VRF specific default route for Internet interfaces. The router will use the default route from the DHCP request to the provider.

Step 2: Configure and apply the access list.

The IP access list must permit the protocols specified in the following table. The access list is applied inbound on the WAN interface, so filtering is done on traffic destined to the router.

Table 103 Required DMVPN protocols

Name	Protocol	Usage
non500-isakmp	UDP 4500	IPsec using NAT-T
isakmp	UDP 500	ISAKMP
esp	IP 50	IPsec
bootpc	UDP 68	DHCP

Example: INET PLR in the IWAN dual hybrid with PLR design model

```
interface GigabitEthernet0/0/3
 ip access-group ACL-INET-PUBLIC in

ip access-list extended ACL-INET-PUBLIC
 permit udp any any eq non500-isakmp
 permit udp any any eq isakmp
 permit esp any any
 permit udp any any eq bootpc
```

The additional protocols listed in the following table may assist in troubleshooting but are not explicitly required to allow DMVPN to function properly.

Table 104 Optional protocols: DMVPN spoke router

Name	Protocol	Usage
icmp echo	ICMP Type 0, Code 0	Allow remote pings
icmp echo-reply	ICMP Type 8, Code 0	Allow ping replies (from your requests)
icmp ttl-exceeded	ICMP Type 11, Code 0	Allow traceroute replies (from your requests)
icmp port-unreachable	ICMP Type 3, Code 3	Allow traceroute replies (from your requests)
UDP high ports	UDP > 1023, TTL=1	Allow remote traceroute

The additional optional entries for an access list to support ping are as follows:

```
permit icmp any any echo
permit icmp any any echo-reply
```

The additional optional entries for an access list to support traceroute are as follows:

```
permit icmp any any ttl-exceeded      ! for traceroute (sourced)
permit icmp any any port-unreachable ! for traceroute (sourced)
permit udp any any gt 1023 ttl eq 1  ! for traceroute (destination)
```

Procedure 3 Configure the mGRE Tunnel

This procedure uses the parameters in the table below. Choose the rows that represent the design model that you are configuring. This procedure applies to the secondary WAN.

Table 105 DMVPN tunnel parameters

Transport Name	Tunnel VRF	Tunnel number	Tunnel network	NHRP network ID/tunnel key
MPLS1	IWAN-TRANSPORT-1	10	10.6.34.0/23	101
INET1	IWAN-TRANSPORT-2	11	10.6.36.0/23	102
MPLS2	IWAN-TRANSPORT-3	12	10.6.38.0/23	103
INET2	IWAN-TRANSPORT-4	13	10.6.40.0/23	104
INET PLR	IWAN-TRANSPORT-5	14	10.6.44.0/23	105

Step 1: Configure the basic interface settings.

The tunnel number is arbitrary, but it is best to begin tunnel numbering at 10 or above, because other features deployed in this design may also require tunnels and they may select lower numbers by default.

The bandwidth setting must be set to match the bandwidth of the respective transport, which corresponds to the actual interface speed. Or, if you are using a substrate service, use the policed rate from the carrier. QoS and PfR require the correct bandwidth setting in order to operate properly.

Configure the **ip mtu** to 1400 and the **ip tcp adjust-mss** to 1360. There is a 40 byte difference, which corresponds to the combined IP and TCP header length.

```
interface Tunnel12
  description MPLS2
  bandwidth 100000
  ip address 10.6.38.31 255.255.254.0
  no ip redirects
  ip mtu 1400
  ip tcp adjust-mss 1360
```

Step 2: Configure the tunnel.

DMVPN uses mGRE tunnels. This type of tunnel requires a source interface only. Use the same source interface that you use to connect to the Internet. Set the **tunnel vrf** command to the VRF defined previously for FVRF.

Tech Tip

The crypto configurations have been simplified in this version of the guide in order to minimize the number of variations from previous guides. With the new configurations, it is not necessary to configure IKEv2 and IPsec again. All IKEv2 and IPsec sessions use the same parameters.

Enabling encryption on this interface requires the application of the IPsec profile configured previously.

```
interface Tunnel12
  tunnel source GigabitEthernet0/0/0
  tunnel mode gre multipoint
  tunnel key 103
  tunnel vrf IWAN-TRANSPORT-3
  tunnel protection ipsec profile DMVPN-IPSEC-PROFILE
```

Step 3: Configure NHRP.

The DMVPN hub router is the NHRP server for all of the spokes. NHRP is used by remote routers to determine the tunnel destinations for peers attached to the mGRE tunnel.

The spoke router requires several additional configuration statements in order to define the NHRP server and NHRP map statements for the DMVPN hub router mGRE tunnel IP address. Spoke routers require the NHRP static multicast mapping.

When hub BRs are added for horizontal scaling or a second data center is added as a transit site, spoke routers require additional NHS statements for each BR in their environment. The configuration details are covered in subsequent sections of this guide.

The value used for the NHS is the mGRE tunnel address for the DMVPN hub router. The map entries must be set to the outside NAT value of the DMVPN hub, as configured on the Cisco ASA 5500. This design uses the values shown in the following tables.

Table 106 DMVPN tunnel NHRP parameters: MPLS1 and INET1

	Transport 1	Transport 2
VRF	IWAN-TRANSPORT-1	IWAN-TRANSPORT-2
DMVPN hub public address (actual)	192.168.6.1	192.168.146.10
DMVPN hub public address (externally routable after NAT)	n/a (MPLS1)	172.16.140.1
DMVPN hub tunnel IP address (NHS)	10.6.34.1	10.6.36.1
Tunnel number	10	11
NHRP network ID	101	102

Table 107 DMVPN tunnel NHRP parameters: MPLS2 and INET2

	Transport 3	Transport 4
VRF	IWAN-TRANSPORT-3	IWAN-TRANSPORT-4
DMVPN hub public address (actual)	192.168.7.1	192.168.146.11
DMVPN hub public address (externally routable after NAT)	n/a (MPLS2)	172.17.140.1
DMVPN hub tunnel IP address (NHS)	10.6.38.1	10.6.40.1
Tunnel number	12	13
NHRP network ID	103	104

Table 108 DMVPN tunnel NHRP parameters: INET PLR

	Transport 5
VRF	IWAN-TRANSPORT-5
DMVPN hub public address (actual)	192.168.146.12
DMVPN hub public address (externally routable after NAT)	172.18.140.1
DMVPN hub tunnel IP address (NHS)	10.6.44.1
Tunnel number	14
NHRP network ID	105

NHRP requires all devices within a DMVPN cloud to use the same network ID and authentication key. The NHRP cache holdtime should be configured to 600 seconds.

This design supports DMVPN spoke routers that receive their external IP addresses through DHCP. It is possible for these routers to acquire different IP addresses after a reload. When the router attempts to register with the NHRP server, it may appear as a duplicate to an entry already in the cache and be rejected. The **registration no-unique** option allows you to overwrite existing cache entries. This feature is only required on NHRP clients (DMVPN spoke routers). The **if-state nhrp** option ties the tunnel line-protocol state to the reachability of the NHRP NHS, and if the NHS is unreachable the tunnel line-protocol state changes to down. This feature is used in conjunction with EOT.

```
interface Tunnel12
  ip nhrp authentication cisco123
  ip nhrp network-id 103
  ip nhrp holdtime 600
  ip nhrp nhs 10.6.38.1 nbma 192.168.7.1 multicast
  ip nhrp registration no-unique
  ip nhrp shortcut
  if-state nhrp
```

By default, NHRP will not install shortcuts for paths not seen in the RIB of the router. In a location with a single router and multiple WAN transports, only the preferred path is in the RIB. If you have a remote site location with more than one WAN transport, you need to disable the **nhrp route-watch** feature on each of the tunnel interfaces in order to allow NHRP to install the non-preferred shortcut path.

```
interface Tunnel12
  no nhrp route-watch
```

Procedure 4 Configure the routing protocol on the WAN

If you are planning to use EIGRP, choose option 1. If you are planning to use BGP on the WAN and OSPF on the LAN, choose option 2.

Option 1: EIGRP on the WAN

The following table shows the DMVPN tunnel names and EIGRP WAN delay in use.

Table 109 EIGRP WAN delay for IWAN remote-site routers

DMVPN Tunnel	EIGRP WAN Delay (10 usec)
Tunnel10	1000 (MPLS1)
Tunnel11	20000 (INET1)
Tunnel12	1100 (MPLS2)
Tunnel13	21000 (INET2)
Tunnel14	22000 (PLR)

A single EIGRP process runs on the DMVPN spoke router, which has already been enabled during the first DMVPN tunnel's configuration. All interfaces on the router are EIGRP interfaces, but only the DMVPN tunnel interfaces are non-passive. The network range must include all interface IP addresses either in a single network statement or in multiple network statements.

Step 1: Add the network range for the secondary DMVPN tunnel and configure as non-passive.

```
router eigrp IWAN-EIGRP
  address-family ipv4 unicast autonomous-system 400
    af-interface Tunnel12
      no passive-interface
    exit-af-interface
  network 10.6.38.0 0.0.1.255
exit-address-family
```

Step 2: Configure EIGRP values for the mGRE tunnel interface.

The EIGRP hello interval is increased to 20 seconds and the EIGRP hold time is increased to 60 seconds in order to accommodate up to 2000 remote sites on a single DMVPN cloud. Increasing the EIGRP timers also slows down the routing convergence to improve network stability and the IWAN design allows PFR to initiate the fast failover, so changing the timers is recommended for all IWAN deployments.

```
router eigrp IWAN-EIGRP
  address-family ipv4 unicast autonomous-system 400
    af-interface Tunnel12
      hello-interval 20
      hold-time 60
    exit-af-interface
  exit-address-family
```

Step 3: Configure EIGRP neighbor authentication. Neighbor authentication enables the secure establishment of peering adjacencies and exchange route tables over the DMVPN tunnel interface.

```
key chain WAN-KEY
  key 1
    key-string cisco123

router eigrp IWAN-EIGRP
  address-family ipv4 unicast autonomous-system 400
    af-interface Tunnel12
      authentication mode md5
      authentication key-chain WAN-KEY
    exit-af-interface
  exit-address-family
```

Step 4: Configure EIGRP route summarization.

The remote-site LAN networks must be advertised. The IP assignment for the remote sites was designed so that all of the networks in use can be summarized within a single aggregate route. As configured below, the **summary-address** command suppresses the more specific routes. If any network within the summary is present in the route table, the summary is advertised to the DMVPN hub, which offers a measure of resiliency. If the various LAN networks cannot be summarized, EIGRP continues to advertise the specific routes.

```
router eigrp IWAN-EIGRP
  address-family ipv4 unicast autonomous-system 400
    af-interface Tunnel12
      summary-address 10.7.0.0 255.255.248.0
    exit-af-interface
  exit-address-family
```


Step 5: Configure the throughput delay on the tunnel interface.

The tunnel interface throughput delay setting should be set to influence the routing protocol path preference. Set the WAN path delay using the values from the table at the top of this procedure. The delay command is entered in 10 usec units.

```
interface Tunnel12
  delay 1100
```

Step 6: Add stub-site wan-interface.

With EIGRP stub-site, route tagging and blocking is no longer needed at the remote sites. You add one command to each af-interface tunnel in order to identify it as the stub-site wan-interface.

```
router eigrp IWAN-EIGRP
  address-family ipv4 unicast autonomous-system 400
  af-interface Tunnel12
    stub-site wan-interface
  exit-af-interface
exit-address-family
```

Step 7: Proceed to Procedure 6, “Configure IP multicast routing for tunnel.”

Option 2: BGP on the WAN

Step 1: Configure BGP values for the mGRE tunnel interface.

A single BGP process runs on the DMVPN spoke router, which has already been enabled during the first DMVPN tunnel’s configuration. For internal BPG, use the same AS number for the remote sites. Use the tunnel interface as the update source. Adjust the BGP hello and hold timers to 20 seconds and 60 seconds, respectively. Peer to the hub border router.

```
router bgp 65100
  neighbor MPLS2-HUB peer-group
  neighbor MPLS2-HUB remote-as 65100
  neighbor MPLS2-HUB description To IWAN MPLS2 Hub Router
  neighbor MPLS2-HUB update-source Tunnel12
  neighbor MPLS2-HUB timers 20 60
  neighbor 10.6.38.1 peer-group MPLS2-HUB
```

Step 2: Configure the BGP address family.

Send the community string, set next-hop-self, set the weight to 50000, and turn on soft reconfiguration inbound. Activate the BGP connection to the DMVPN hub border router.

```
router bgp 65100
  address-family ipv4
    neighbor MPLS2-HUB send-community
    neighbor MPLS2-HUB next-hop-self all
    neighbor MPLS2-HUB weight 50000
    neighbor MPLS2-HUB soft-reconfiguration inbound
    neighbor 10.6.38.1 activate
  exit-address-family
```

Step 3: Apply the prefix route maps for BGP.

The route map to allow prefixes to go out on the tunnel interface was already defined. Apply the route map to the BGP address family for the hub border router.

```
router bgp 65100
  address-family ipv4
    neighbor MPLS2-HUB route-map SPOKE-OUT out
```

Procedure 5 Configure BGP POP selection at remote site

Optional

This optional procedure is used to select a POP preference. If you do not want to select POP preference, skip to the next section.

Step 1: Configure BGP to display communities in the format AA:NN.

```
ip bgp-community new-format
```

Step 2: Define the community lists to identify the border routers from POP1 and POP 2.

```
ip community-list standard POP1-MPLS1 permit 65100:100
ip community-list standard POP1-MPLS2 permit 65100:300
ip community-list standard POP1-INET1 permit 65100:200
ip community-list standard POP1-INET2 permit 65100:400
ip community-list standard POP1-INET4G permit 65100:500

ip community-list standard POP2-MPLS1 permit 65100:101
ip community-list standard POP2-MPLS2 permit 65100:301
ip community-list standard POP2-INET1 permit 65100:201
ip community-list standard POP2-INET2 permit 65100:401
ip community-list standard POP2-INET4G permit 65100:501
```

Step 3: Create the inbound route maps and update the outbound route map.

Update the outbound route map with a community string to signal the POP preference to the border routers.

Example:

65100:10 to prefer POP 1 (hub site)

65100:20 to prefer POP 2 (transit site)

Use a community string in the form of AS:NN with AS being the BGP autonomous system number and NN being the value that selects the preferred POP.

On the inbound route maps, set the local preference higher for preferred POP border routers.

Example: Remote site prefers POP1

```
route-map SPOKE-OUT permit 10
  description Prefer POP1 with community 65100:10
  set community 65100:10

route-map POP-SELECT permit 100
  description Prefer POP1 with higher LP
  match community POP1-MPLS1
  set local-preference 800

route-map POP-SELECT permit 110
  description Prefer POP1 with higher LP
  match community POP1-MPLS2
  set local-preference 790
```

```
route-map POP-SELECT permit 120
description Prefer POP1 with higher LP
match community POP1-INET1
set local-preference 780
```

```
route-map POP-SELECT permit 130
description Prefer POP1 with higher LP
match community POP1-INET2
set local-preference 770
```

```
route-map POP-SELECT permit 140
description Prefer POP1 with higher LP
match community POP1-INET4G
set local-preference 760
```

```
route-map POP-SELECT permit 200
match community POP2-MPLS1
set local-preference 600
```

```
route-map POP-SELECT permit 210
match community POP2-MPLS2
set local-preference 590
```

```
route-map POP-SELECT permit 220
match community POP2-INET1
set local-preference 580
```

```
route-map POP-SELECT permit 230
match community POP2-INET2
set local-preference 570
```

```
route-map POP-SELECT permit 240
match community POP2-INET4G
set local-preference 560
```

```
route-map POP-SELECT permit 1000
description If no match do not set LP
```

Example: Remote site prefers POP2

```
route-map SPOKE-OUT permit 10
description Prefer POP2 with community 65100:20
set community 65100:20
```

```
route-map POP-SELECT permit 100
match community POP1-MPLS1
set local-preference 600
```

```
route-map POP-SELECT permit 110
match community POP1-MPLS2
set local-preference 590
```

```
route-map POP-SELECT permit 120
match community POP1-INET1
set local-preference 580
```

```
route-map POP-SELECT permit 130
match community POP1-INET2
set local-preference 570
```

```
route-map POP-SELECT permit 140
match community POP1-INET4G
set local-preference 560
```

```
route-map POP-SELECT permit 200
description Prefer POP2 with higher LP
match community POP2-MPLS1
set local-preference 800
```

```
route-map POP-SELECT permit 210
description Prefer POP2 with higher LP
match community POP2-MPLS2
```

```
set local-preference 790

route-map POP-SELECT permit 220
description Prefer POP2 with higher LP
match community POP2-INET1
set local-preference 780

route-map POP-SELECT permit 230
description Prefer POP2 with higher LP
match community POP2-INET2
set local-preference 770

route-map POP-SELECT permit 240
description Prefer POP2 with higher LP
match community POP2-INET4G
set local-preference 760

route-map POP-SELECT permit 1000
description If no match do not set LP
```

Step 4: Apply the POP select route map on the inbound WAN transport.

```
router bgp 65100
address-family ipv4
neighbor MPLS2-HUB route-map POP-SELECT in
```

Step 5: Repeat this process for each remote site that will use the new BRs.

Procedure 6 Configure IP multicast routing for tunnel

Optional

This optional procedure includes additional steps for configuring IP Multicast for a DMVPN tunnel on a router with IP Multicast already enabled. Skip this procedure if you do not want to use IP Multicast in your environment.

Step 1: Configure PIM on the DMVPN tunnel interface.

Enable IP PIM sparse mode on the DMVPN tunnel interface.

```
interface Tunnel12
ip pim sparse-mode
```

Step 2: Configure the DR priority for the DMVPN spoke router.

Proper multicast operation across a DMVPN cloud requires that the hub router assumes the role of PIM DR. Spoke routers should never become the DR. You can prevent that by setting the DR priority to 0 for the spokes.

```
interface Tunnel12
  ip pim dr-priority 0
```

Step 3: Repeat this process for each new WAN transport at your remote sites.



Deploying IWAN Quality of Service

QoS has already proven itself as the enabling technology for the convergence of voice, video and data networks. As business needs evolve, so do demands on QoS technologies. The need to protect voice, video and critical data with QoS mechanisms is extremely important on the WAN because access speeds are much lower than the LAN networks that feed them.

PROCESS

Configuring QoS for DMVPN Routers

1. Create the class maps in order to classify traffic
2. Create policy map with queuing policy

When configuring WAN-edge QoS, you are defining how traffic egresses your network. It is critical that the classification, marking, and bandwidth allocations align to the service provider, offering to ensure consistent QoS treatment end to end.

The Per-Tunnel QoS for DMVPN feature allows the configuration of a QoS policy on a DMVPN hub on a per-tunnel (spoke) basis. The QoS policy on a tunnel instance allows you to shape the tunnel traffic to individual spokes (parent policy) and to differentiate between traffic classes within the tunnel for appropriate treatment (child policy).

You can also mark the header of the GRE tunneled packets by using the QoS policy map classes. There are two methods for marking the DSCP of the tunnel headers in order to influence per-hop treatment within the service provider network. One method applies the policy to a virtual tunnel interface and the second method applies the policy to a physical interface.

The following table shows an example of how to mark the tunnel headers when using a 12- or 8-class model in the enterprise, while combining the traffic classes into a smaller 6-, 5- or 4-class model in the service provider network. The tunnel markings must match the service provider offering, so you will have to adjust the table below according to your specific service level agreement.

Figure 19 QoS class model mapping: Tunnel mappings must match provider

Application Class	Per-Hop Behavior	Queuing & Dropping	12-Class	8-Class for IWAN Router	6-Class for Tunnel	5-Class for Tunnel	4-Class for Tunnel
Internetwork Control	CS6	BR Queue	Net-Ctrl	NET-CTRL	CS6	CS6	CS6
VoIP Telephony	EF	Priority Queue (PQ)	Voice	VOICE	EF	EF	EF
Multimedia Conferencing	AF4	BR Queue + DSCP WRED	Interactive-Video	INTERACTIVE-VIDEO	AF41	AF31	AF31
Real-Time Interactive	CS4	BR Queue + DSCP WRED	Real-Time	INTERACTIVE-VIDEO	AF41	AF31	AF31
Broadcast Video	CS5	BR Queue + DSCP WRED	Broadcast-Video	STREAMING-VIDEO	AF31	AF31	AF31
Multimedia Streaming	AF3	BR Queue + DSCP WRED	Streaming-Video	STREAMING-VIDEO	AF31	AF31	AF31
Signaling	CS3	BR Queue	Call-Signaling	CALL-SIGNALING	AF21	AF21	AF21
Ops / Admin / Mgmt	CS2	BR Queue + DSCP WRED	Net-Mgmt	CRITICAL-DATA	AF21	AF21	AF21
Transactional Data	AF2	BR Queue + DSCP WRED	Transactional-Data	CRITICAL-DATA	AF21	AF21	AF21
Bulk Data	AF1	BR Queue + DSCP WRED	Bulk-Data	CRITICAL-DATA	AF21	AF21	AF21
Best Effort	DF	BR Queue + RED	Default	DEFAULT	Default	Default	Default
Scavenger	CS1	Min BR Queue	Scavenger	SCAVENGER	AF11	AF11	Default

6044F

Tech Tip

Because the provider will generally have a network control queue that they do not declare as part of their customer-facing model, the traffic in the NET-CTRL queue will be marked as CS6 on the tunnel header. Because the network elements use this traffic to ensure stability under congestion and when a device is oversubscribed, CS6 traffic should be preserved.

Traffic is regulated from the central site (hub) routers to the remote-site routers on a per-tunnel (spoke) basis. The hub site is unable to send more traffic than a single remote-site can handle, and this ensures that high bandwidth hub sites do not overrun lower bandwidth remote-sites.

The following two procedures apply to all DMVPN WAN hub and spoke routers.

Procedure 1 Create the class maps in order to classify traffic

This number of classes in an egress policy should be chosen based on interface speed, available queues, and device capabilities. This design guide uses an 8-class model in the enterprise and the examples will have to be modified for other models, as required.

Use the **class-map** command to define a traffic class and identify traffic to associate with the class name. You use these class names when configuring policy maps that define actions you want to take against the traffic type. The **class-map** command sets the match logic. In this case, the match-any keyword indicates that the maps match any of the specified criteria. This keyword is followed by the name you want to assign to the class of service. After you have configured the **class-map** command, you define specific values, such as DSCP and protocols to match with the match command.

Step 1: Create the class maps for DSCP matching. You do not need to explicitly configure the default class.

```
class-map match-any [class-map name]
  match dscp [dscp value] [optional additional dscp value(s)]
```

Table 110 Class of service for 8-class model

Class Name	Traffic type	DSCP values
VOICE	Voice traffic	ef
INTERACTIVE-VIDEO	Interactive video (video conferencing)	cs4, af4
STREAMING-VIDEO	Video streaming	cs5, af3
NET-CTRL	Routing protocols	cs6
CALL-SIGNALING	Voice and video call signaling	cs3
CRITICAL-DATA	Network management, highly interactive	cs2, af1, af2
default	Best effort	all others
SCAVENGER	Scavenger	cs1

Step 2: Repeat this step to create a class-map for each of the seven non-default WAN classes of service listed in the table above.

Example: Class Maps for 8-class QoS model

```
class-map match-any VOICE
  match dscp ef
class-map match-any INTERACTIVE-VIDEO
  match dscp cs4 af41 af42 af43
class-map match-any STREAMING-VIDEO
  match dscp cs5 af31 af32 af33
class-map match-any NET-CTRL
  match dscp cs6
class-map match-any CALL-SIGNALING
  match dscp cs3
class-map match-any CRITICAL-DATA
  match dscp cs2 af11 af12 af13 af21 af22 af23
class-map match-any SCAVENGER
  match dscp cs1
```

Tech Tip

You do not need to configure a Best-Effort class-map. This is implicitly included within class-default as shown in Procedure 2.

To provide unique DSCP counters for packet count, byte count and packet rate in the **show policy-map interface** command and CBQoS-MIB output, put each **match dscp** statement on its own line, such as in the example below.

Example: Class maps with additional DSCP granularity

```
class-map match-any STREAMING-VIDEO
  match dscp af31
  match dscp af32
  match dscp af33
  match dscp cs5
class-map match-any INTERACTIVE-VIDEO
  match dscp cs4
  match dscp af41
  match dscp af42
  match dscp af43
class-map match-any CRITICAL-DATA
  match dscp af11
  match dscp af12
  match dscp af13
  match dscp cs2
  match dscp af21
  match dscp af22
  match dscp af23
class-map match-any VOICE
  match dscp ef
class-map match-any SCAVENGER
  match dscp cs1
class-map match-any CALL-SIGNALING
  match dscp cs3
class-map match-any NET-CTRL
  match dscp cs6
```

Procedure 2 Create policy map with queuing policy

The WAN policy map references the class names you created in the previous procedures and defines the queuing behavior, along with the minimum guaranteed bandwidth allocated to each class. Using a policy-map accomplishes this specification. Then, each class within the policy map invokes an egress queue and assigns a percentage of bandwidth. One additional default class defines the minimum allowed bandwidth available for best effort traffic.

There are two methods for marking the tunnel headers. The method you use depends on whether you apply the policy to a virtual tunnel interface or a physical interface. Use the **set dscp tunnel** command when applying the policy-map to a tunnel interface to change the outer header, while leaving the original 12-class marking on the inner header unchanged. Use the **set dscp** command when applying the policy-map to a physical interface because in the order of operations, the outer header has already been imposed and the inner header will not be modified.

Tech Tip

The local router policy maps define eight classes, while most service providers offer only six classes of service. The NET-CTRL class is defined to ensure the correct classification, marking, and queuing of network-critical traffic on egress to the WAN. After the traffic has been transmitted to the service provider, it is put into a queue that is not part of the customer-facing class model.

Step 1: Create the policy map.

```
policy-map [policy-map-name]
```

Step 2: Apply the previously created class-map.

```
class [class-name]
```

Step 3: (Optional) Define what proportion of available bandwidth should be reserved for this class of traffic under congestion.

```
bandwidth remaining percent [percentage]
```

Step 4: (Optional) Define the congestion avoidance mechanism.

```
random-detect [type]
```

Step 5: (Optional) For priority queues, define the priority level for the class.

```
priority level [value]
```

Step 6: (Optional) For priority queues, define the amount of bandwidth that may be consumed by priority traffic.

```
police cir [percentage]
```

Step 7: (Optional) For QOS policies that will be attached to tunnel interfaces (hub router configuration), mark the DSCP in the tunnel header.

```
set dscp tunnel [dscp value]
```

Step 8: (Optional) For QOS policies that will be attached to physical interface (remote-site router configuration), mark the DSCP in the tunnel header.

```
set dscp [dscp value]
```

Tech Tip

Fair queuing should not be used in a policy map for encrypted flows, such as IWAN. The outer tunnel header with a non-changing IP address is used for individual flow queue selection. This results in the same queue being selected for all traffic flowing through the class with fair queuing and reduces the overall queue size.

Table 111 Bandwidth, congestion avoidance and outbound tunnel values

Class of service for 8-class model	Bandwidth %	Congestion avoidance	Tunnel DSCP values for 6-class model
VOICE	10 (PQ)	–	ef
INTERACTIVE-VIDEO	30 remaining	DSCP based WRED	af41
STREAMING-VIDEO	10 remaining	DSCP based WRED	af31
NET-CTRL	5 remaining	–	cs6 (pass through)
CALL-SIGNALING	4 remaining	–	af21
CRITICAL-DATA	25 remaining	DSCP based WRED	af21
default	25 remaining	random	(pass through)
SCAVENGER	1 remaining	–	af11

Step 9: Repeat Step 2 through Step 8 for each class in the previous table, including the default class.

Tech Tip

The default class does not set the value, which allows traffic to pass through with markings that do not fit into the values specified by the match statements used above.

Example: WAN aggregation policy map for 6-class service provider offering

This example uses the **set dscp tunnel** command in each class because the policy is applied to the tunnel interfaces on the WAN aggregation routers.

```
policy-map WAN
  class INTERACTIVE-VIDEO
    bandwidth remaining percent 30
    random-detect dscp-based
    set dscp tunnel af41
  class STREAMING-VIDEO
    bandwidth remaining percent 10
```

```

    random-detect dscp-based
    set dscp tunnel af31
class NET-CTRL
    bandwidth remaining percent 5
    set dscp tunnel cs6
class CALL-SIGNALING
    bandwidth remaining percent 4
    set dscp tunnel af21
class CRITICAL-DATA
    bandwidth remaining percent 25
    random-detect dscp-based
    set dscp tunnel af21
class SCAVENGER
    bandwidth remaining percent 1
    set dscp tunnel af11
class VOICE
    priority level 1
    police cir percent 10
    set dscp tunnel ef
class class-default
    bandwidth remaining percent 25
    random-detect

```

Example: Remote site policy map for 6-class service provider offering

This example uses the **set dscp** command in each class, because the policy is applied to the physical interfaces on the remote site routers.

```

policy-map WAN
class INTERACTIVE-VIDEO
    bandwidth remaining percent 30
    random-detect dscp-based
    set dscp af41
class STREAMING-VIDEO
    bandwidth remaining percent 10
    random-detect dscp-based
    set dscp af31
class NET-CTRL
    bandwidth remaining percent 5

```

```
set dscp cs6
class CALL-SIGNALING
bandwidth remaining percent 4
set dscp af21
class CRITICAL-DATA
bandwidth remaining percent 25
random-detect dscp-based
set dscp af21
class SCAVENGER
bandwidth remaining percent 1
set dscp af11
class VOICE
priority level 1
police cir percent 10
set dscp ef
class class-default
bandwidth remaining percent 25
random-detect
```

Tech Tip

Although these bandwidth assignments represent a good baseline, it is important to consider your actual traffic requirements per class and adjust the bandwidth settings accordingly.

PROCESS

Applying DMVPN QoS Policy to DMVPN Hub Routers

1. Configure shaping policy for hub router
2. Configure per-tunnel QoS policies for DMVPN hub router
3. Configure per-tunnel QoS NHRP policies on DMVPN hub router

This process applies only to DMVPN WAN Aggregation routers.

Procedure 1 Configure shaping policy for hub router

With WAN interfaces using Ethernet as an access technology, the demarcation point between the enterprise and service provider may no longer have a physical-interface bandwidth constraint. Instead, a specified amount of access bandwidth is contracted with the service provider. To ensure the offered load to the service provider does not exceed the contracted rate that results in the carrier discarding traffic, you need to configure shaping on the physical interface. When you configure the **shape average** command, ensure that the value matches the contracted bandwidth rate from your service provider.

Tech Tip

QoS on a physical interface is limited only to the class default shaper. Other QoS configurations on the physical interface are not supported.

You must apply the class default shaper policy map on the main interface before applying the tunnel policy map.

The class default shaper policy map must contain only the class class-default and shape commands.

Create the policy map and configure the shaper for the default class.

As a best practice, embed the transport number within the name of the policy map.

```
policy-map [policy-map-name]
  class class-default
    shape average [bandwidth (kbps)]
```

Step 1: Apply the shaper to the WAN interface.

You must apply the service policy needs to be applied in the outbound direction.

```
interface [interface type] [number]
  service-policy output [policy-map-name]
```

Example: Physical interface

This example shows a router with a 600 Mbps service rate configured on a 1 Gbps physical interface.

```
policy-map TRANSPORT-1-SHAPE-ONLY
  class class-default
    shape average 600000000

interface GigabitEthernet0/0/3
  bandwidth 600000
  service-policy output TRANSPORT-1-SHAPE-ONLY
```


Procedure 2 Configure per-tunnel QoS policies for DMVPN hub router

The QoS policy on a tunnel instance allows you to shape the tunnel traffic to individual spokes and to differentiate between traffic classes within the tunnel for appropriate treatment.

The QoS policy on the tunnel instance is defined and applied only to the DMVPN hub routers at the central site. The remote-site router signals the QoS group policy information to the hub router with a command in the NHRP configuration, which greatly reduces QoS configuration and complexity. The hub router applies the signaled policy in the egress direction for each remote site.

The **bandwidth remaining ratio** command is used to provide each site with their fair share of the remaining bandwidth when the outbound interface is experiencing congestion. If you do not use this command, the lower bandwidth sites will get all of their assigned bandwidth, while the higher bandwidth sites will get less than their fair share.

In the example below, divide the shape average bandwidth by 1 Mbps to come up with the value for the ratio. If you have sites with less than 5 Mbps of shape average bandwidth, you should divide the shape average for all of your sites by 100 Kbps to ensure they all get a reasonable ratio greater than 1.

Tech Tip

With Per-Tunnel QoS for DMVPN, the queuing and shaping is performed at the outbound physical interface for the GRE/IPsec tunnel packets. This means that the GRE header, the IPsec header and the layer2 (for the physical interface) header are included in the packet-size calculations for shaping and bandwidth queuing of packets under QoS.

The values in the table are examples; make sure to adjust these values for your specific needs and remote-site bandwidth provisioned with your ISP.

Table 112 Per-tunnel QoS policies

Policy name	Class	Bandwidth bps	Bandwidth remaining ratio
RS-GROUP-300MBPS-POLICY	class-default	300000000	300
RS-GROUP-200MBPS-POLICY	class-default	200000000	200
RS-GROUP-100MBPS-POLICY	class-default	100000000	100
RS-GROUP-50MBPS-POLICY	class-default	50000000	50
RS-GROUP-30MBPS-POLICY	class-default	30000000	30
RS-GROUP-20MBPS-POLICY	class-default	20000000	20
RS-GROUP-10MBPS-POLICY	class-default	10000000	10
RS-GROUP-4G-POLICY	class-default	8000000	8

Step 1: Create a policy.

```
policy-map [policy-map-name]
```

Step 2: Define a shaper and bandwidth remaining ratio for the default-class and apply the WAN QoS queuing child service policy created in Procedure 2, "Create policy map with queuing policy."

The shape average value is entered in bits per second (bps). If all of your bandwidth values are greater than 5 Mbps, enter the bandwidth remaining ratio as shape average bandwidth/1 Mbps. If any of your bandwidth values are 5 Mbps or less, enter the bandwidth remaining ratio as shape average bandwidth/100 Kbps.

```
policy-map [policy-map-name]
  class class-default
    shape average [bandwidth (bps)]
    bandwidth remaining ratio [shape average bandwidth/1 Mbps]
    service-policy [policy-map name]
```

Step 3: For each remote-site type, repeat steps 1 and 2.

Example: Hub border router

```
policy-map RS-GROUP-300MBPS-POLICY
  class class-default
    shape average 300000000
    bandwidth remaining ratio 300
    service-policy WAN
policy-map RS-GROUP-200MBPS-POLICY
  class class-default
    shape average 200000000
    bandwidth remaining ratio 200
    service-policy WAN
policy-map RS-GROUP-100MBPS-POLICY
  class class-default
    shape average 100000000
    bandwidth remaining ratio 100
    service-policy WAN
policy-map RS-GROUP-50MBPS-POLICY
  class class-default
    shape average 50000000
    bandwidth remaining ratio 50
    service-policy WAN
policy-map RS-GROUP-30MBPS-POLICY
  class class-default
    bandwidth remaining ratio 30
```

```

    shape average 30000000
    service-policy WAN
policy-map RS-GROUP-20MBPS-POLICY
class class-default
    shape average 20000000
    bandwidth remaining ratio 20
    service-policy WAN
policy-map RS-GROUP-10MBPS-POLICY
class class-default
    shape average 10000000
    bandwidth remaining ratio 10
    service-policy WAN
policy-map RS-GROUP-4G-POLICY
class class-default
    shape average 8000000
    bandwidth remaining ratio 8
    service-policy WAN

```

Procedure 3 Configure per-tunnel QoS NHRP policies on DMVPN hub router

The QoS policy that the hub uses for a particular endpoint or spoke is selected by the NHRP group in which the spoke is configured.

Prerequisites and important caveats:

- DMVPN must be fully configured and operational before you can configure an NHRP group on a spoke or map the NHRP group to a QoS policy on a hub.
- Although you may configure multiple spokes as part of the same NHRP group, the tunnel traffic for each spoke is measured individually for shaping and policing.
- Only output NHRP policies are supported. These apply to per-site traffic egressing the router towards the WAN.

Step 1: Create NHRP group policy name mapping and apply the policies configured in the previous procedure to the DMVPN tunnel interface on the hub router.

```

interface tunnel[number]
    ip nhrp map group [NHRP GROUP Policy Name] service-policy output [policy-map
name]

```

Example: Hub border router

```

interface tunnel10
 ip nhrp map group RS-GROUP-300MBPS service-policy output RS-GROUP-300MBPS-POLICY
 ip nhrp map group RS-GROUP-200MBPS service-policy output RS-GROUP-200MBPS-POLICY
 ip nhrp map group RS-GROUP-100MBPS service-policy output RS-GROUP-100MBPS-POLICY
 ip nhrp map group RS-GROUP-50MBPS service-policy output RS-GROUP-50MBPS-POLICY
 ip nhrp map group RS-GROUP-30MBPS service-policy output RS-GROUP-30MBPS-POLICY
 ip nhrp map group RS-GROUP-20MBPS service-policy output RS-GROUP-20MBPS-POLICY
 ip nhrp map group RS-GROUP-10MBPS service-policy output RS-GROUP-10MBPS-POLICY
 ip nhrp map group RS-GROUP-4G service-policy output RS-GROUP-4G-POLICY

```

PROCESS**Applying QoS Configurations to Remote Site Routers**

1. Configure per-tunnel QoS NHRP policy on remote-site routers
2. Configure physical interface QoS policy on remote-site routers
3. Apply QoS policy to the physical interface on remote-site routers
4. Verify QoS policy on physical interfaces of remote site router
5. Verify DMVPN per-tunnel QoS from hub routers

This process completes the remote-site QoS configuration and applies to all DMVPN spoke routers.

Procedure 1 Configure per-tunnel QoS NHRP policy on remote-site routers

This procedure configures the remote-site router to reference the QoS policy configured on the hub site routers.

Step 1: Apply the NHRP group policy to the DMVPN tunnel interface on the corresponding remote-site router. Use the NHRP group name as defined on the hub router in Procedure 2, “Configure per tunnel QoS policies for DMVPN hub router,” above. Configure the bandwidth statement on the interface to match the NHRP group policy chosen. The bandwidth value is entered in kilobits per second (Kbps)

```

interface Tunnel[value]
 bandwidth [value in Kbps]
 ip nhrp group [NHRP GROUP Policy Name]

```

Example: Remote site router with dual-link for hybrid

This example shows a remote-site using a 20 Mbps policy and a 50 Mbps policy.

```
interface Tunnel10
  bandwidth 20000
  ip nhrp group RS-GROUP-20MBPS

interface Tunnel11
  bandwidth 50000
  ip nhrp group RS-GROUP-50MBPS
```

Procedure 2 Configure physical interface QoS policy on remote-site routers

Repeat this procedure in order to support remote-site routers that have multiple WAN connections attached to different interfaces.

With WAN interfaces using Ethernet as an access technology, the demarcation point between the enterprise and service provider may no longer have a physical-interface bandwidth constraint. Instead, a specified amount of access bandwidth is contracted with the service provider. To ensure the offered load to the service provider does not exceed the contracted rate that results in the carrier discarding traffic, configure shaping on the physical interface.

This shaping is accomplished with a QoS service policy. You configure a QoS service policy on the outside Ethernet interface, and this parent policy includes a shaper that then references a second or subordinate (child) policy that enables queuing within the shaped rate. This is called a hierarchical Class-Based Weighted Fair Queuing configuration. When you configure the **shape average** command, ensure that the value matches the contracted bandwidth rate from your service provider. The shape average value is entered in bits per second (bps).

Step 1: Create the parent policy map.

As a best practice, embed the transport number within the name of the parent policy map.

```
policy-map [policy-map-name]
```

Step 2: Configure the shaper.

```
class [class-name]
  shape [average | peak] [bandwidth (bps)]
```

Step 3: Apply the child service policy as defined in Procedure 2, “Create policy map with queuing policy,” above.

```
service-policy WAN
```

Example: Remote site router with dual-link for hybrid

This example shows a router with a 20-Mbps rate on interface GigabitEthernet0/0 for transport 1 and a 50-Mbps rate on interface GigabitEthernet0/1 for transport 2.

```

policy-map POLICY-TRANSPORT-1
  class class-default
    shape average 20000000
    service-policy WAN

policy-map POLICY-TRANSPORT-2
  class class-default
    shape average 50000000
    service-policy WAN

```

Procedure 3 Apply QoS policy to the physical interface on remote-site routers

Repeat this procedure in order to support remote-site routers that have multiple WAN connections attached to different interfaces.

To invoke shaping and queuing on a physical interface, you must apply the parent policy that you configured in the previous procedure.

Step 1: Select the WAN interface and apply the WAN QoS policy

The service policy needs to be applied in the outbound direction. Configure the bandwidth statement on the interface to match the NHRP group policy chosen. The bandwidth value is entered in kilobits per second (Kbps)

```

interface [interface type] [number]
  bandwidth [value in Kbps]
  service-policy output [policy-map-name]

```

Example: Remote site router with dual-link for hybrid

```

interface GigabitEthernet0/0
  bandwidth 20000
  service-policy output POLICY-TRANSPORT-1

interface GigabitEthernet0/1
  bandwidth 50000
  service-policy output POLICY-TRANSPORT-2

```

Procedure 4 Verify QoS policy on physical interfaces of remote site router

After all of the physical interfaces on a router are configured, you can verify each one before moving to the next remote site.

Step 1: Verify the QoS output policy on each interface is correct by using the **show policy-map interface** command.

This example is truncated due to the overall length.

```
RS11-2921# show policy-map interface GigabitEthernet 0/0
GigabitEthernet0/0

Service-policy output: POLICY-TRANSPORT-1

Class-map: class-default (match-any)
  66941984 packets, 14951533762 bytes
  5 minute offered rate 83000 bps, drop rate 0000 bps
Match: any
Queueing
queue limit 64 packets
(queue depth/total drops/no-buffer drops) 0/0/0
(pkts output/bytes output) 66941987/15813338284
shape (average) cir 30000000, bc 120000, be 120000
target shape rate 30000000

Service-policy : WAN

queue stats for all priority classes:
  Queueing
  priority level 1
  queue limit 64 packets
  (queue depth/total drops/no-buffer drops) 0/0/0
  (pkts output/bytes output) 572961/124080310

Class-map: INTERACTIVE-VIDEO (match-any)
  530608 packets, 205927572 bytes
  5 minute offered rate 0000 bps, drop rate 0000 bps
```

```

Match:  dscp cs4 (32) af41 (34) af42 (36) af43 (38)
        530608 packets, 205927572 bytes
        5 minute rate 0 bps
Queueing
queue limit 64 packets
(queue depth/total drops/no-buffer drops) 0/0/0
(pkts output/bytes output) 530608/209102464
bandwidth remaining 30%
  Exp-weight-constant: 9 (1/512)
  Mean queue depth: 0 packets

```

Minimum	dscp	Transmitted	Random drop	Tail drop
	Maximum	Mark		
thresh	pkts/bytes	pkts/bytes	pkts/bytes	pkts/bytes
	thresh	prob		
32	af41 40 1/10	530608/209102464	0/0	0/0

```

QoS Set
  dscp af41
  Packets marked 530608

```

Step 2: Repeat the previous step for each interface configured with QoS.

Procedure 5 Verify DMVPN per-tunnel QoS from hub routers

After the all of the DMVPN routers are configured for Per-Tunnel QoS, you can verify the configurations from the hub router.

Step 1: Verify the Per-Tunnel QoS output policy to each remote-site is correct by using the **show dmvpn detail** command.

Step 2: Repeat the previous step for each DMVPN hub router.

Deploying IWAN Monitoring

NetFlow operates by creating a NetFlow cache entry that contains information for all active flows on a NetFlow-enabled device. NetFlow builds its cache by processing the first packet of a flow through the standard switching path. It maintains a flow record within the NetFlow cache for all active flows. Each flow record in the NetFlow cache contains key fields, as well as additional non-key fields, that can be used later for exporting data to a collection device. Each flow record is created by identifying packets with similar flow characteristics and counting or tracking the packets and bytes per flow.

Flexible NetFlow (FNF) allows you to customize and focus on specific network information. To define a flow, you can use a subset or superset of the traditional seven key fields. FNF also has multiple additional fields (both key and non-key). This permits an organization to target more specific information so that the total amount of information and the number of flows being exported is reduced, allowing enhanced scalability and aggregation.

PROCESS

Configuring Flexible NetFlow for IWAN Monitoring

1. Create flexible NetFlow flow record
2. Create flow exporter
3. Create a flow monitor
4. Apply flow monitor to router interfaces

These procedures include best practice recommendations for which key fields and non-key fields need to be collected in order to allow for effective IWAN monitoring.

Additional details regarding the deployment of NetFlow with NBAR2 and the usage of a broad range of NetFlow collector/analyzers are covered in the Application Monitoring Using NetFlow Technology Design Guide.

Procedure 1 Create flexible NetFlow flow record

Flexible NetFlow requires the explicit configuration of a flow record that consists of both key fields and non-key fields. This procedure provides guidance on how to configure a user-defined flow record that includes all of the Traditional NetFlow (TNF) fields (key and non-key) as well as additional FNF fields (key and non-key). The resulting flow record includes the full subset of TNF fields used in classic NetFlow deployments.

The examples in this guide are from Cisco Prime Infrastructure and LiveAction LiveNX. Different NetFlow collector applications support different export version formats and you should align your flow record with the type of network management platform used by your organization.

Step 1: Specify key fields. This determines unique flow. Be sure to include a separate match statement for each key field.

```
flow record [record name]
  description [record description]
  match [key field type] [key field value]
```

Table 113 Recommended FNF key fields for IWAN

Key field type	Key field value
flow	direction
interface	input
ipv4	tos
	protocol
	source address
	destination address
transport	source port
	destination port

Step 2: Specify non-key fields to be collected for each unique flow. Be sure to include a separate **collect** statement for each non-key field.

```
flow record [record name]
  collect [non-key field type] [non-key field value]
```

Table 114 Recommended FNF non-key fields for IWAN

Non-key field type	Non-key field value
application	name
flow	sampler
routing	source as destination as next-hop address ipv4
ipv4	source prefix source mask destination mask dscp id
transport	tcp flags
interface	output
counter	bytes packets
timestamp	sys-uptime first sys-uptime last

Example

```
flow record Record-FNF-IWAN
description Flexible NetFlow for IWAN Monitoring
match flow direction
match interface input
match ipv4 destination address
match ipv4 protocol
match ipv4 source address
match ipv4 tos
match transport destination-port
match transport source-port
collect application name
collect counter bytes
collect counter packets
collect flow sampler
collect interface output
collect ipv4 destination mask
collect ipv4 dscp
collect ipv4 id
collect ipv4 source mask
collect ipv4 source prefix
collect routing destination as
collect routing next-hop address ipv4
collect routing source as
collect timestamp sys-uptime first
collect timestamp sys-uptime last
collect transport tcp flags
```

Procedure 2 Create flow exporter

The NetFlow data that is stored in the cache of the network device can be more effectively analyzed when exported to an external collector.

Creating a flow exporter is only required when exporting data to an external collector. If data is analyzed only on the network device, you can skip this procedure.

Reader Tip

Most external collectors use SNMP to retrieve the interface table from the network device. Ensure that you have completed the relevant SNMP procedures for your platform.

Different NetFlow collector applications support different export version formats (v5, v9, IPFIX) and expect to receive the exported data on a particular UDP or TCP port (ports 2055, 9991, 9995, 9996 are popular). The NetFlow RFC 3954 does not specify a specific port for collectors to receive NetFlow data. In this deployment, the collector applications used for testing use the parameters designated in the following table.

Table 115 *NetFlow collector parameters*

Vendor	Application	Version	Export capability	Netflow destination port
Cisco	Prime Infrastructure	3.1	Flexible NetFlow v9	UDP 9991
LiveAction	LiveNX	5.3	Flexible NetFlow v9	UDP 2055

Step 1: Configure a basic flow exporter by using Netflow v9.

```
flow exporter [exporter name]
description [exporter description]
destination [NetFlow collector IP address]
source Loopback0
transport [UDP or TCP] [port number]
export-protocol netflow
```

Step 2: For FNF records, export the interface table for FNF. The **option interface-table** command enables the periodic sending of an options table. This provides interface names through the NetFlow export.

```
flow exporter [exporter name]
option interface-table
template data timeout 600
```

Step 3: If you are using an NBAR flow record, export the NBAR application table. The **option application-table** command enables the periodic sending of an options table that allows the collector to map the NBAR application IDs provided in the flow records to application names.

```
flow exporter [exporter name]
option application-table
```

Step 4: If you are using an NBAR flow record, export the NBAR application attributes. The **option application-attributes** command causes the periodic sending of NBAR application attributes to the collector.

```
flow exporter [exporter name]
option application-attributes
```

Step 5: If you are using the Cisco ISR-G2 series routers, enable **output-features**. Otherwise, NetFlow traffic that originates from a WAN remote-site router will not be encrypted or tagged using QoS.

```
flow exporter [exporter name]
output-features
```

Example: LiveAction LiveNX

```
flow exporter Export-FNF-Monitor-1
description FNFv9 NBAR2 with LiveAction
destination 10.4.48.178
source Loopback0
output-features ! this command is not required on IOS-XE routers
transport udp 2055
template data timeout 600
option interface-table
option application-table
option application-attributes
```

Example: Prime Infrastructure

```
flow exporter Export-FNF-Monitor-2
description FNFv9 NBAR2 with Prime
destination 10.4.48.36
source Loopback0
output-features ! this command is not required on IOS-XE routers
transport udp 9991
template data timeout 600
option interface-table
option application-table
option application-attributes
```

Step 6: Verify the NetFlow exporter configuration using the **show flow exporter** command.

```
RS41-2921# show flow exporter Export-FNF-Monitor-2
```

```
Flow Exporter Export-FNF-Monitor-2:
  Description:          FNFv9 NBAR2 with Prime
  Export protocol:      NetFlow Version 9
  Transport Configuration:
    Destination IP address: 10.4.48.36
    Source IP address:     10.255.241.41
    Source Interface:      Loopback0
    Transport Protocol:    UDP
    Destination Port:      9991
    Source Port:           64254
    DSCP:                  0x0
    TTL:                   255
    Output Features:       Used
  Options Configuration:
    interface-table (timeout 600 seconds)
    application-table (timeout 600 seconds)
    application-attributes (timeout 600 seconds)
```

Procedure 3 Create a flow monitor

The network device must be configured to monitor the flows through the device on a per-interface basis. The flow monitor must include a flow record and optionally one or more flow exporters if data is to be collected and analyzed. After the flow monitor is created, it is applied to device interfaces. The flow monitor stores flow information in a cache, and the timer values for this cache are modified within the flow monitor configuration. It is recommended that you set the timeout active timer to 60 seconds, which exports flow data on existing long-lived flows.

Step 1: Create the flow monitor, and then set the cache timers.

```
flow monitor [monitor name]
  description [monitor description]
  cache timeout active 60
  cache timeout inactive 10
```

Step 2: Associate the flow record to the flow monitor. You can use either a custom or a built-in flow record.

```
flow monitor [monitor name]
  record [record name]
```

Step 3: If you are using an external NetFlow collector, associate the exporters to the flow monitor. If you are using multiple exporters, add additional lines.

```
flow monitor [monitor name]
exporter [exporter name]
```

Example: Prime Infrastructure and LiveAction LiveNX

```
flow monitor Monitor-FNF-IWAN
description IWAN Traffic Analysis
record Record-FNF-IWAN
exporter Export-FNF-Monitor-1
exporter Export-FNF-Monitor-2
cache timeout active 60
cache timeout inactive 10
```

Step 4: Verify the flow monitor configuration by using the **show flow monitor** command.

```
RS41-2921#show flow monitor
Flow Monitor Monitor-FNF-IWAN:
  Description:      IWAN Traffic Analysis
  Flow Record:     Record-FNF-IWAN
  Flow Exporter:   Export-FNF-Monitor-1
                  Export-FNF-Monitor-2

Cache:
  Type:            normal
  Status:         not allocated
  Size:           4096 entries/0 bytes
  Inactive Timeout: 10 secs
  Active Timeout:  60 secs
  Update Timeout: 1800 secs
  Synchronized Timeout: 600 secs
  Status:        allocated
  Size:         4096 entries/376856 bytes
  Inactive Timeout: 15 secs
  Active Timeout:  60 secs
  Update Timeout: 1800 secs
```


Procedure 4 Apply flow monitor to router interfaces

A best practice for NetFlow in an IWAN deployment is to monitor all inbound and outbound traffic on the DMVPN tunnel interfaces.

Step 1: Apply the flow monitor to the tunnel interface(s).

```
interface [name]
  ip flow monitor [monitor name] input
  ip flow monitor [monitor name] output
```

Example: Single-router remote site with dual-link for hybrid

```
interface Tunnel10
  ip flow monitor Monitor-FNF-IWAN input
  ip flow monitor Monitor-FNF-IWAN output

interface Tunnel11
  ip flow monitor Monitor-FNF-IWAN input
  ip flow monitor Monitor-FNF-IWAN output
```

Step 2: Verify the proper interfaces are configured for NetFlow monitoring using the **show flow interface** command.

```
RS41-2921# show flow interface
Interface Tunnel10
  FNF: monitor:      Monitor-FNF-IWAN
      direction:    Input
      traffic(ip):   on
  FNF: monitor:      Monitor-FNF-IWAN
      direction:    Output
      traffic(ip):   on
Interface Tunnel11
  FNF: monitor:      Monitor-FNF-IWAN
      direction:    Input
      traffic(ip):   on
  FNF: monitor:      Monitor-FNF-IWAN
      direction:    Output
      traffic(ip):   on
```

Step 3: At dual-router sites with a distribution layer, also apply the flow monitor to the interfaces that connect to the distribution layer switch. This ensures that you capture all possible traffic flows.

Example: First router of a dual-router dual-link remote site

```
interface Port-channel1.50
  ip flow monitor Monitor-FNE-IWAN input
  ip flow monitor Monitor-FNE-IWAN output
```

Example: Second router of a dual-router dual-link remote site

```
interface Port-channel2.54
  ip flow monitor Monitor-FNE-IWAN input
  ip flow monitor Monitor-FNE-IWAN output
```

Step 4: Verify the dscp used in the network by displaying the NetFlow cache on the WAN aggregation routers. Use the **show flow monitor** command.

```
show flow monitor Monitor-FNE-IWAN cache format table
```

Appendix A: Product List

To view the full list of IWAN-supported routers for this version of the CVD, see [Supported Cisco Platforms and Software Releases](#).

WAN AGGREGATION

Place In Network	Product Description	Part Number	SW Version	Feature Set
WAN-aggregation Router	Aggregation Services 1002X Router	ASR1002X-5G-VPNK9	IOS XE 03.16.04b.S	Advanced Enterprise
	Aggregation Services 1001X Router	ASR1001X-5G-VPN	IOS XE 03.16.04b.S	Advanced Enterprise
	Cisco ISR 4451-X Security Bundle with SEC License	ISR4451-X-SEC/K9	IOS XE 03.16.04b.S	securityk9
Hub or Transit MC	Cloud Services Router 1000v	CSR1000v	IOS XE 03.16.04b.S	AX

WAN REMOTE SITE

Place In Network	Product Description	Part Number	SW Version	Feature Set
Modular WAN Remote-site Router	Cisco ISR 4451 AX Bundle with APP and SEC License	ISR4451-X-AX/K9	IOS XE 03.16.04b.S	securityk9, appxk9
	Cisco ISR 4431 AX Bundle with APP and SEC License	ISR4431-AX/K9	IOS XE 03.16.04b.S	securityk9, appxk9
	Cisco ISR 4351 AX Bundle with APP and SEC License	ISR4351-AX/K9	IOS XE 03.16.04b.S	securityk9, appxk9
	Cisco ISR 4331 AX Bundle with APP and SEC License	ISR4331-AX/K9	IOS XE 03.16.04b.S	securityk9, appxk9
	Cisco ISR 4321 AX Bundle with APP and SEC License	ISR4321-AX/K9	IOS XE 03.16.04b.S	securityk9, appxk9
	Cisco ISR 3945 AX Bundle with APP and SEC License	C3945-AX/K9	15.5(3)M4a	securityk9, datak9, uck9
	Cisco ISR 3925 AX Bundle with APP and SEC License	C3925-AX/K9	15.5(3)M4a	securityk9, datak9, uck9
	Unified Communications Paper PAK for Cisco 3900 Series	SL-39-UC-K9		
	Cisco ISR 2951 AX Bundle with APP and SEC License	C2951-AX/K9	15.5(3)M4a	securityk9, datak9, uck9
	Cisco ISR 2921 AX Bundle with APP and SEC License	C2921-AX/K9	15.5(3)M4a	securityk9, datak9, uck9
	Cisco ISR 2911 AX Bundle with APP and SEC License	C2911-AX/K9	15.5(3)M4a	securityk9, datak9, uck9
	Unified Communications Paper PAK for Cisco 2900 Series	SL-29-UC-K9		
	Cisco ISR 1941 AX Bundle with APP and SEC License	C1941-AX/K9	15.5(3)M4a	securityk9, datak9

INTERNET EDGE

Place In Network	Product Description	Part Number	SW Version	Feature Set
Firewall	Cisco ASA 5545-X	ASA5545-K9	ASA 9.4(3)	
	Cisco ASA 5525-X	ASA5525-K9	ASA 9.4(3)	
	Cisco ASA 5515-X	ASA5515-K9	ASA 9.4(3)	
	Cisco ASA 5512-X	ASA5512-K9	ASA 9.4(3)	
	Cisco ASA 5512-X Security Plus license	ASA5512-SEC-PL		
	Firewall Management	ASDM	7.6(2)	

INTERNET EDGE LAN

Place In Network	Product Description	Part Number	SW Version	Feature Set
DMZ Switch	Cisco Catalyst 2960-X Series 24 10/100/1000 PoE and 2 SFP+ Uplink	WS-C2960X-24PS	15.2(3)E1	LAN Base
	Cisco Catalyst 2960-X FlexStack-Plus Hot-Swap-able Stacking Module	C2960X-STACK		

LAN ACCESS LAYER

Place In Network	Product Description	Part Number	SW Version	Feature Set
Modular Access Layer Switch	Cisco Catalyst 4500E Series 4507R+E 7-slot Chassis with 48Gbps per slot	WS-C4507R+E	3.7.1E(15.2.3E1)	IP Base
	Cisco Catalyst 4500E Supervisor Engine 8-E, Unified Access, 928Gbps	WS-X45-SUP8-E	3.7.1E(15.2.3E1)	IP Base
	Cisco Catalyst 4500E 12-port 10GbE SFP+ Fiber Module	WS-X4712-SFP+E		
	Cisco Catalyst 4500E 48-Port 802.3at PoE+ 10/100/1000 (RJ-45)	WS-X4748-RJ45V+E		
	Cisco Catalyst 4500E Series 4507R+E 7-slot Chassis with 48Gbps per slot	WS-C4507R+E	3.7.1E(15.2.3E1)	IP Base
	Cisco Catalyst 4500E Supervisor Engine 7L-E, 520Gbps	WS-X45-SUP7L-E	3.7.1E(15.2.3E1)	IP Base
	Cisco Catalyst 4500E 48 Ethernet 10/100/1000 (RJ45) PoE+,UPoE ports	WS-X4748-UPOE+E		
	Cisco Catalyst 4500E 48 Ethernet 10/100/1000 (RJ45) PoE+ ports	WS-X4648-RJ45V+E		

Place In Network	Product Description	Part Number	SW Version	Feature Set
Stackable Access Layer Switch	Cisco Catalyst 3850 Series Stackable 48 Ethernet 10/100/1000 PoE+ ports	WS-C3850-48F	3.7.1E(15.2.3E1)	IP Base
	Cisco Catalyst 3850 Series Stackable 24 Ethernet 10/100/1000 PoE+ Ports	WS-C3850-24P	3.7.1E(15.2.3E1)	IP Base
	Cisco Catalyst 3850 Series 2 x 10GE Network Module	C3850-NM-2-10G		
	Cisco Catalyst 3850 Series 4 x 1GE Network Module	C3850-NM-4-1G		
	Cisco Catalyst 3650 Series 24 Ethernet 10/100/1000 PoE+ and 2x10GE or 4x1GE Uplink	WS-C3650-24PD	3.7.1E(15.2.3E1)	IP Base
	Cisco Catalyst 3650 Series 24 Ethernet 10/100/1000 PoE+ and 4x1GE Uplink	WS-C3650-24PS	3.7.1E(15.2.3E1)	IP Base
	Cisco Catalyst 3650 Series Stack Module	C3650-STACK		
	Cisco Catalyst 2960-X Series 24 10/100/1000 Ethernet and 2 SFP+ Uplink	WS-C2960X-24PD	15.2(3)E1	LAN Base
Standalone Access Layer Switch	Cisco Catalyst 3650 Series 24 Ethernet 10/100/1000 PoE+ and 4x1GE Uplink	WS-C3650-24PS	3.7.1E(15.2.3E1)	IP Base

LAN DISTRIBUTION LAYER

Place In Network	Product Description	Part Number	SW Version	Feature Set
Modular Distribution Layer Virtual Switch Pair	Cisco Catalyst 6500 VSS Supervisor 2T with 2 ports 10GbE and PFC4	VS-S2T-10G	15.2(1)SY1	IP Services
	Cisco Catalyst 6800 Series 6807-XL 7-Slot Modular Chassis	C6807-XL	15.2(1)SY1	IP Services
	Cisco Catalyst 6500 4-port 40GbE/16-port 10GbE Fiber Module w/DFC4	WS-X6904-40G-2T		
	Cisco Catalyst 6500 4-port 10GbE SFP+ adapter for WX-X6904-40G module	CVR-CFP-4SFP10G		
	Cisco Catalyst 6500 CEF720 48 port 10/100/1000mb Ethernet	WS-X6748-GE-TX		
	Cisco Catalyst 6500 Distributed Forwarding Card 4	WS-F6K-DFC4-A		
	Cisco Catalyst 6500 Series 6506-E 6-Slot Chassis	WS-C6506-E	15.2(1)SY1	IP services
	Cisco Catalyst 6500 VSS Supervisor 2T with 2 ports 10GbE and PFC4	VS-S2T-10G	15.2(1)SY1	IP services
	Cisco Catalyst 6500 4-port 40GbE/16-port 10GbE Fiber Module w/DFC4	WS-X6904-40G-2T		
	Cisco Catalyst 6500 4-port 10GbE SFP+ adapter for WX-X6904-40G module	CVR-CFP-4SFP10G		
	Cisco Catalyst 6500 48-port GigE Mod (SFP)	WS-X6748-SFP		
	Cisco Catalyst 6500 Distributed Forwarding Card 4	WS-F6K-DFC4-A		
	Cisco Catalyst 6500 24-port GigE Mod (SFP)	WS-X6724-SFP		
Cisco Catalyst 6500 Distributed Forwarding Card 4	WS-F6K-DFC4-A			

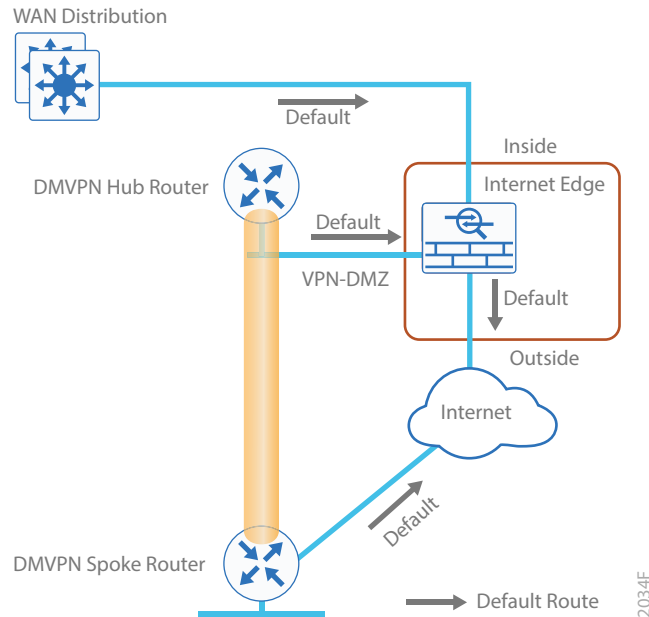
Place in Network	Product Description	Part Number	SW Version	Feature Set
Extensible Fixed Distribution Layer Virtual Switch Pair	Cisco Catalyst 6800 Series 6880-X Extensible Fixed Aggregation Switch (Standard Tables)	C6880-X-LE	15.2(1)SY1	IP Services
	Cisco Catalyst 6800 Series 6880-X Multi Rate Port Card (Standard Tables)	C6880-X-LE-16P10G		
Modular Distribution Layer Virtual Switch Pair	Cisco Catalyst 4500E Series 4507R+E 7-slot Chassis with 48Gbps per slot	WS-C4507R+E	3.7.1E(15.2.3E1)	Enterprise Services
	Cisco Catalyst 4500E Supervisor Engine 7-E, 848Gbps	WS-X45-SUP7-E	3.7.1E(15.2.3E1)	Enterprise Services
	Cisco Catalyst 4500E 12-port 10GbE SFP+ Fiber Module	WS-X4712-SFP+E		
	Cisco Catalyst 4500E 48-Port 802.3at PoE+ 10/100/1000 (RJ-45)	WS-X4748-RJ45V+E		
Fixed Distribution Layer Virtual Switch Pair	Cisco Catalyst 4500-X Series 32 Port 10GbE IP Base Front-to-Back Cooling WS-C4500X-32SFP+ 3.5.3E(15.2.1E3) Enterprise Services			
Stackable Distribution Layer Switch	Cisco Catalyst 3850 Series Stackable Switch with 12 SFP Ethernet	WS-C3850-12S	3.7.1E(15.2.3E1)	IP Services
	Cisco Catalyst 3850 Series 4 x 1GE Network Module	C3850-NM-4-1G		
	Cisco Catalyst 3850 Series 2 x 10GE Network Module	C3850-NM-2-10G		

Appendix B: Technical Feature Supplement

FRONT DOOR VRF FOR DMVPN

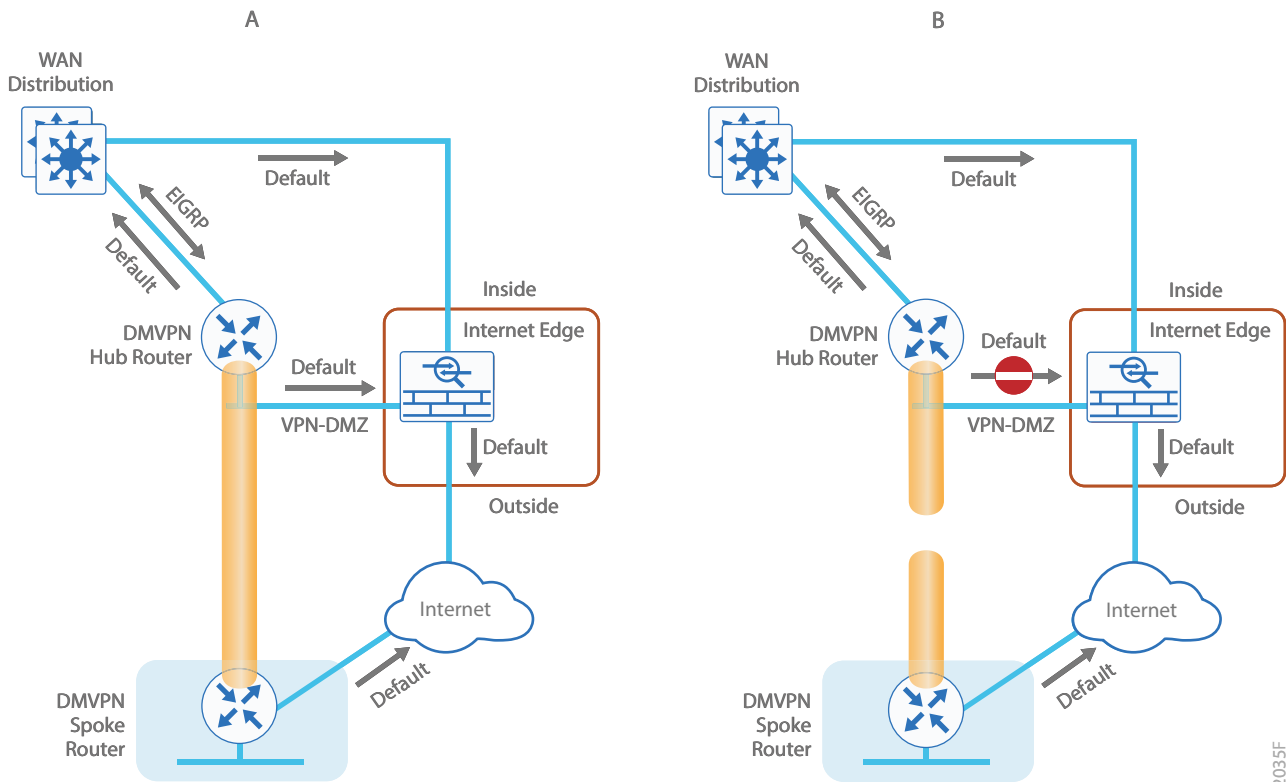
Building an IPsec tunnel requires reachability between the crypto routers. When you use the Internet, routers use a default route to contact their peers.

Figure 20 IPsec tunnel



If you need to extend the internal network and the same default routing options that are available to internal users, you must advertise a default route to the VPN hub router. For details, see section A in the following figure.

Figure 21 IPsec tunnel before/after default route injection



2035F

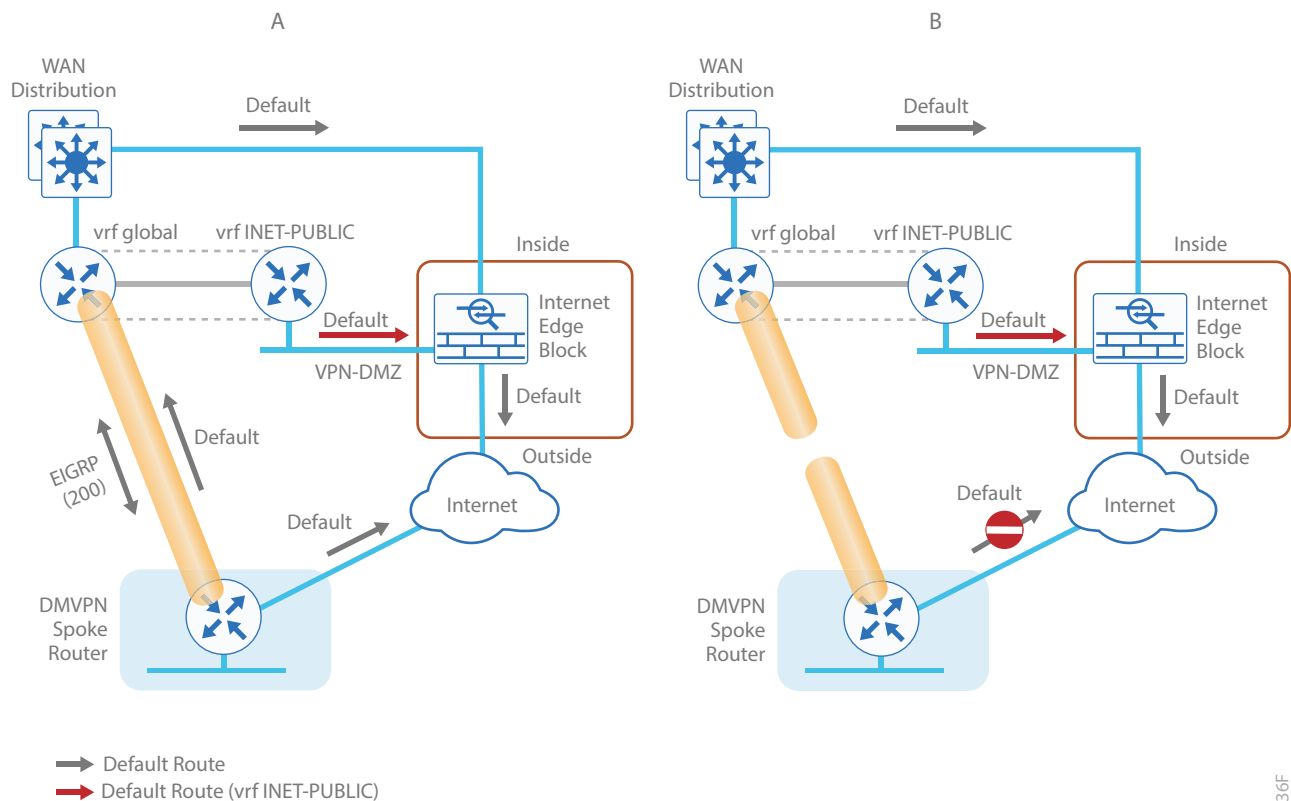
The advertisement of a default route to the hub router (with an existing default route) is problematic. This route requires a better administrative distance to become the active default, which then overrides the default route that is supporting the peer-peer IPsec tunnel connection. This routing advertisement breaks the tunnel as shown in section B in the previous figure.

Through the introduction of an external VRF INET-PUBLIC (shown in red), the hub router can support multiple default routes. The internal network remains in the global VRF. This is shown in section A of the following figure.

Tech Tip

Most additional features on the hub router do not require VRF-awareness.

Figure 22 IPsec tunnel with FVRF aggregation



2036F

This configuration is referred to as *FVRF*, because the Internet is contained in a VRF. FVRF is sometimes referred to as *Front Side VRF*. The alternative to this design is *Inside VRF (IVRF)*, where the internal network is in a VRF on the VPN hub and the Internet remains in the global VRF. This method is not documented in this guide.

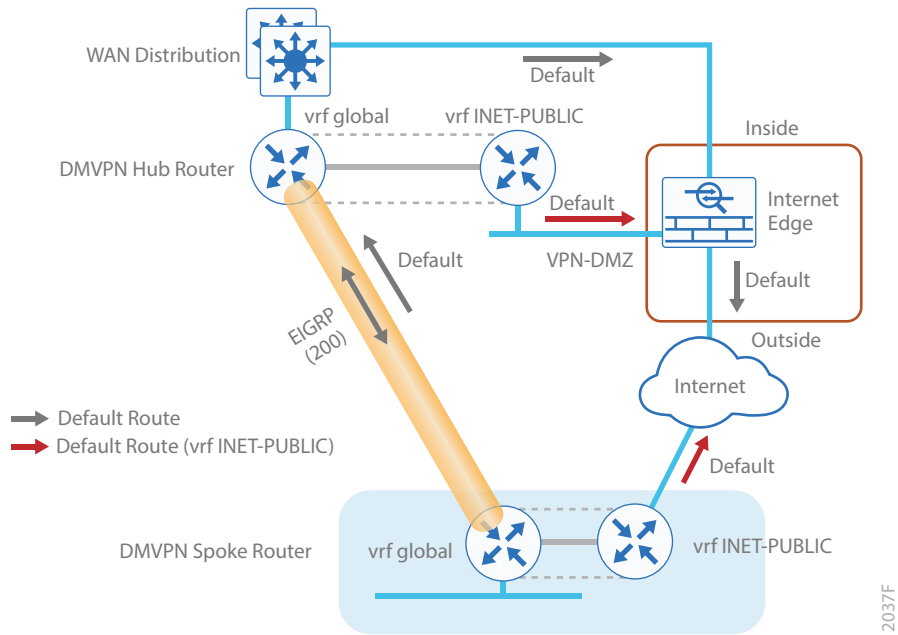
It is now possible to reestablish the IPsec tunnel to the remote peer router. Because the remote-site policy requires central Internet access for end users, a default route is advertised through the tunnel. This advertisement causes a similar default routing issue on the remote router; the tunnel default overrides the Internet-pointing default and the tunnel connection breaks as shown in section B of the previous figure.

This configuration requires using FVRF on the remote-site router as well. The primary benefits of using this solution are:

- Simplified default routing and static default routes in the INET-PUBLIC VRFs.
- Ability to support default routing for end-users traffic through VPN tunnels.
- Ability to use dynamic default routing for sites with multiple WAN transports.
- Ability to build spoke-to-spoke tunnels with DMVPN with end-user traffic routed by default through VPN tunnels.

The final design that uses FVRF at both the WAN-aggregation site and a WAN remote-site is shown in the following figure.

Figure 23 FVRF: Final configuration



Appendix C: Common Sections

This steps in this appendix are common for different router types. Please confirm each section matches the router type you are deploying before proceeding.

CONFIGURE THE PLATFORM BASE FEATURES

This section is for all routers.

Step 1: Configure the device host name. Make it easy to identify the device.

```
hostname [Hostname]
```

Step 2: Configure local login and password.

The local login account and password provide basic access authentication to a router, which provides only limited operational privileges. The enable password secures access to the device configuration mode. By enabling password encryption, you prevent the disclosure of plain text passwords when viewing configuration files.

```
username admin secret cisco123
enable secret cisco123
service password-encryption
aaa new-model
```

By default, https access to the router will use the enable password for authentication.

Step 3: (Optional) Configure centralized user authentication.

As networks scale in the number of devices to maintain, it poses an operational burden to maintain local user accounts on every device. A centralized AAA service reduces operational tasks per device and provides an audit log of user access for security compliance and root cause analysis. When AAA is enabled for access control, AAA controls all management access to the network infrastructure devices (SSH and HTTPS).

TACACS+ is the primary protocol used to authenticate management logins on the infrastructure devices to the AAA server. A local AAA user database is also defined (in Step 2) on each network infrastructure device in order to provide a fallback authentication source in case the centralized TACACS+ server is unavailable.

```
tacacs server TACACS-SERVER-1
  address ipv4 10.4.48.15
  key SecretKey

aaa group server tacacs+ TACACS-SERVERS
  server name TACACS-SERVER-1

aaa authentication login default group TACACS-SERVERS local
aaa authorization exec default group TACACS-SERVERS local
aaa authorization console
ip http authentication aaa
```

Step 4: Configure device management protocols.

Secure HTTPS and SSH are secure replacements for the HTTP and Telnet protocols. They use SSL and TLS in order to provide device authentication and data encryption.

Secure management of the network device is enabled through the use of the SSH and HTTPS protocols. Both protocols are encrypted for privacy and the nonsecure protocols, Telnet and HTTP, are turned off. SCP is enabled, which allows the use of code upgrades using Prime Infrastructure via SSH-based SCP protocol.

Specify the transport **preferred none** on vty lines in order to prevent errant connection attempts from the CLI prompt. Without this command, if the ip name-server is unreachable, long timeout delays may occur for mistyped commands.

```
ip domain-name cisco.local
ip ssh version 2
no ip http server
ip http secure-server
ip scp server enable
line vty 0 15
  transport input ssh
  transport preferred none
```

When synchronous logging of unsolicited messages and debug output is turned on, console log messages are displayed on the console after interactive CLI output is displayed or printed. With this command, you can continue typing at the device console when debugging is enabled.

```
line con 0
  transport preferred none
  logging synchronous
```

Enable SNMP in order to allow the network infrastructure devices to be managed by an NMS. SNMPv2c is configured both for a read-only and a read-write community string.

```
snmp-server community cisco RO
snmp-server community cisco123 RW
snmp-server ifindex persist ! IOS Classic Only
snmp ifmib ifindex persist ! IOS XE Only
```

Step 5: (Optional) In networks where network operational support is centralized, you can increase network security by using an access list to limit the networks that can access your device. In this example, only devices on the 10.4.48.0/24 network will be able to access the device via SSH or SNMP.

```
access-list 55 permit 10.4.48.0 0.0.0.255
line vty 0 15
  access-class 55 in

snmp-server community cisco RO 55
snmp-server community cisco123 RW 55
```

Tech Tip

If you configure an access-list on the vty interface you may lose the ability to use ssh to login from one router to the next for hop-by-hop troubleshooting.

Step 6: Configure a synchronized clock.

NTP is designed to synchronize a network of devices. An NTP network usually gets its time from an authoritative time source, such as a radio clock or an atomic clock attached to a time server. NTP then distributes this time across the organizations network.

You should program network devices to synchronize to a local NTP server in the network. The local NTP server typically references a more accurate clock feed from an outside source. By configuring console messages, logs, and debug output to provide time stamps on output, you can cross-reference events in a network.

```
ntp server 10.4.48.17

clock timezone PST -8
clock summer-time PDT recurring

service timestamps debug datetime msec localtime
service timestamps log datetime msec localtime
```

Step 7: Configure an in-band management interface.

The *loopback interface* is a logical interface that is always reachable as long as the device is powered on and any IP interface is reachable to the network. Because of this capability, the loopback address is the best way to manage the router in-band. Layer 3 process and features are also bound to the loopback interface to ensure process resiliency.

The loopback address is commonly a host address with a 32-bit address mask. Allocate the loopback address from the IP address block that the router summarizes to the rest of the network.

```
interface Loopback 0
 ip address [ip address] 255.255.255.255
 ip pim sparse-mode
```

Bind the device processes for SNMP, SSH, PIM, TACACS+ and NTP to the loopback interface address for optimal resiliency:

```
snmp-server trap-source Loopback0
ip ssh source-interface Loopback0
ip pim register-source Loopback0
ip tacacs source-interface Loopback0
ntp source Loopback0
```

Step 8: Return to the previous place in the guide.

CONFIGURE IKEV2 AND IPSEC FOR A DMVPN BORDER ROUTER

This section is for DMVPN border routers only.

The parameters in the table below are used in this section. The crypto configurations have been simplified in this version of the guide in order to minimize the variations from previous guides. Use the values in the table that represent the design you are configuring.

Table 116 *Crypto parameters*

Parameter	Pre-Shared Keys	Public Key Infrastructure
crypto ikev2 keyring	DMVPN-KEYRING	DMVPN-KEYRING
crypto ikev2 profile	DMVPN-IKEv2-PROFILE	DMVPN-PKI-IKEv2-PROFILE
crypto ipsec profile	DMVPN-IPSEC-PROFILE	DMVPN-PKI-IPSEC-PROFILE

IPsec uses a key exchange between the routers in order to encrypt/decrypt the traffic. These keys can be exchanged using pre-shared keys or PKI certificates with a certificate authority. It is also possible to use a combination of the two, which is useful during a migration from one method to the other.

You have two options for configuring key exchange: using pre-shared keys or using a certificate authority.

Option 1: Configure with pre-shared keys

Step 1: Configure the crypto keyring for pre-shared keys.

The crypto keyring defines a pre-shared key (or password) valid for IP sources that are reachable within a particular VRF. This key is a wildcard pre-shared key if it applies to any IP source. A wildcard key is configured using the 0.0.0.0 0.0.0.0 as the network/mask combination.

```
crypto ikev2 keyring [keyring name]
peer ANY
address 0.0.0.0 0.0.0.0
pre-shared-key [password]
```

Example

```
crypto ikev2 keyring DMVPN-KEYRING
peer ANY
address 0.0.0.0 0.0.0.0
pre-shared-key c1sco123
```

Step 2: Configure the IKEv2 proposal.

The user-defined IKEv2 proposal includes only the following:

- Encryption with AES cipher and a 256-bit key
- Pseudo-random function with SHA and a 512-bit digest
- Diffie-Hellman group: 19

```
crypto ikev2 proposal [proposal name]
  encryption [encryption algorithm]
  prf [pseudo-random function algorithm]
  group [Diffie-Hellman group]
```

Example

```
crypto ikev2 proposal AES/GCM/256
  encryption aes-gcm-256
  prf sha512
  group 19
```

The default IKEv2 proposal is also used.

A **show crypto ikev2 proposal** displays the details of the two proposals.

```
show crypto ikev2 proposal
IKEv2 proposal: AES/GCM/256
  Encryption : AES-GCM-256
  Integrity  : none
  PRF       : SHA512
  DH Group  : DH_GROUP_256_ECP/Group 19
IKEv2 proposal: default
  Encryption : AES-CBC-256 AES-CBC-192 AES-CBC-128
  Integrity  : SHA512 SHA384 SHA256 SHA96 MD596
  PRF       : SHA512 SHA384 SHA256 SHA1 MD5
  DH Group  : DH_GROUP_1536_MODP/Group 5 DH_GROUP_1024_MODP/Group 2
```

Step 3: Configure the IKEv2 policy.

The crypto policy includes the proposal you created in the previous step. This policy will match any FVRF defined on the router.

```
crypto ikev2 policy [policy name]
  match fvrf any
  proposal [proposal name]
```

Example

```
crypto ikev2 policy AES/GCM/256
  match fvrf any
  proposal AES/GCM/256
```

The default IKEv2 policy is also used.

A **show crypto ikev2 policy** displays the details of the two policies.

```
show crypto ikev2 policy

IKEv2 policy : AES/GCM/256
  Match fvrf : any
  Match address local : any
  Proposal   : AES/GCM/256

IKEv2 policy : default
  Match fvrf : any
  Match address local : any
  Proposal   : default
```

Step 4: Configure the IKEv2 profile.

The IKEv2 profile creates an association between an identity address, a VRF, and a crypto keyring. A wildcard address within a VRF is referenced with 0.0.0.0. The **identity local address** must match the loopback address of this router.

Tech Tip

Identity local address is needed for customers who use Carrier Grade NAT (CGN) which requires a unique identity per remote site router even if the same pre-NAT IP address is used for other locations. The command does not affect customers who are not using CGN, so it is a recommended best practice to use the command all of the time.

The profile also defines what method of key sharing will be used on this router with **authentication local** and what methods will be accepted from remote locations with **authentication remote**. The **pre-share** keyword is used with the keyring defined above.

```
crypto ikev2 profile [profile name]
  description [profile description]
  match fvrf [vrf name]
  match identity remote address [IP address]
  identity local address [Loopback IP address of this router]
  authentication remote pre-share
  authentication local pre-share
  keyring local [keyring name]
```


Example: MPLS1 hub border router–HY-MPLS1-ASR1002X-1

```

crypto ikev2 profile DMVPN-IKEv2-PROFILE
  description PSK Profile
  match fvrfl any
  match identity remote address 0.0.0.0
  identity local address 10.6.32.241
  authentication local pre-share
  authentication remote pre-share
  keyring local DMVPN-KEYRING

```

Step 5: Define the IPsec transform set.

A transform set is an acceptable combination of security protocols, algorithms, and other settings to apply to IPsec-protected traffic. Peers agree to use a particular transform set when protecting a particular data flow.

The IPsec transform set for DMVPN uses the following:

- ESP with the 256-bit GCM encryption algorithm
- ESP with the SHA (HMAC variant) authentication algorithm

Because the DMVPN hub router is behind a NAT device, the IPsec transform must be configured for transport mode.

```

crypto ipsec transform-set [transform set] esp-gcm 256
  mode transport

```

Example

```

crypto ipsec transform-set AES256/GCM/TRANSPORT esp-gcm 256
  mode transport

```

Step 6: Configure the IPsec profile.

The IPsec profile creates an association between an IKEv2 profile and an IPsec transform-set.

```

crypto ipsec profile [profile name]
  set transform-set [transform set]
  set ikev2-profile [ikev2 profile name]

```

Example

```

crypto ipsec profile DMVPN-IPSEC-PROFILE
  set transform-set AES256/GCM/TRANSFORM
  set ikev2-profile DMVPN-IKEv2-PROFILE

```

Step 7: Increase the IPsec anti-replay window size.

```

crypto ipsec security-association replay window-size [value]

```

Example

```
crypto ipsec security-association replay window-size 1024
```

Tech Tip

QoS queuing delays can cause anti-replay packet drops, so it is important to extend the window size in order to prevent the drops from occurring.

Increasing the anti-replay window size has no impact on throughput and security. The impact on memory is insignificant because only an extra 128 bytes per incoming IPsec SA is needed.

It is recommended that you use the maximum window size in order to minimize future anti-replay problems. On the ASR1K, ISR4K and ISRG2 router platforms, the maximum replay window size is 1024.

If you do not increase the window size, the router may drop packets and you may see the following error messages on the router CLI and in the log:

```
%CRYPTO-4-PKT_REPLAY_ERR: decrypt: replay check failed
```

A **show crypto ipsec sa** displays the transform and anti-replay window size.

show crypto ipsec sa

```
interface: Tunnel10
  Crypto map tag: Tunnel10-head-0, local addr 192.168.6.1

  protected vrf: (none)
  local ident (addr/mask/prot/port): (192.168.6.1/255.255.255.255/47/0)
  remote ident (addr/mask/prot/port): (192.168.6.37/255.255.255.255/47/0)
  current_peer 192.168.6.37 port 500
    PERMIT, flags={origin_is_acl,}
    #pkts encaps: 54930270, #pkts encrypt: 54930270, #pkts digest: 54930270
    #pkts decaps: 56137986, #pkts decrypt: 56137986, #pkts verify: 56137986
    #pkts compressed: 0, #pkts decompressed: 0
    #pkts not compressed: 0, #pkts compr. failed: 0
    #pkts not decompressed: 0, #pkts decompress failed: 0
    #send errors 0, #recv errors 0

  local crypto endpt.: 192.168.6.1, remote crypto endpt.: 192.168.6.37
  plaintext mtu 1366, path mtu 1400, ip mtu 1400, ip mtu idb Tunnel10
  current outbound spi: 0xB4CB483E(3033221182)
  PFS (Y/N): N, DH group: none
```

```
inbound esp sas:
  spi: 0x416B8951(1097566545)
    transform: esp-gcm 256 ,
    in use settings ={Transport, }
    conn id: 5392, flow_id: HW:3392, sibling_flags FFFFFFFF80000008, crypto
map: Tunnel10-head-0
  sa timing: remaining key lifetime (k/sec): (4591555/1700)
  IV size: 8 bytes
  replay detection support: Y  replay window size: 1024
  Status: ACTIVE(ACTIVE)
```

Step 8: Return to the previous place in the guide.

Option 2: Configure with a certificate authority

If you want to use a certificate authority, you will have to configure a pre-shared key on one of the hub border routers in order to allow each remote site to establish a DMVPN tunnel to the WAN aggregation site. After the first DMVPN tunnel at a remote site is established, the router will be able to authenticate to the CA and obtain a certificate. After obtaining the certificate, you can configure the remote site to use PKI.

The **crypto pki trustpoint** is the method of specifying the parameters associated with a CA. The router must authenticate to the CA first and then enroll with the CA to obtain its own identity certificate.

Step 1: The fingerprint command limits the responding CA. You can find this fingerprint by using **show crypto pki server** on the IOS CA.

```
IWAN-IOS-CA#show crypto pki server
Certificate Server IWAN-IOS-CA:
  Status: enabled
  State: enabled
  Server's configuration is locked (enter "shut" to unlock it)
  Issuer name: CN=IWAN-IOS-CA.cisco.local L=SanJose St=CA C=US
  CA cert fingerprint: 75BEF625 9A9876CF 6F341FE5 86D4A5D8
  Granting mode is: auto
  Last certificate issued serial number (hex): 59
  CA certificate expiration timer: 13:19:42 PST Dec 24 2017
  CRL NextUpdate timer: 14:55:59 PDT Sep 12 2016
  Current primary storage dir: nvram:
  Current storage dir for .crl files: nvram:
  Database Level: Complete - all issued certs written as <serialnum>.cer
```

Step 2: Configure the PKI trust point.

```
crypto pki trustpoint [name]
  enrollment url [URL of IOS CA]
  serial-number none
  fqdn [fully qualified domain name of this router]
  ip-address [Loopback IP address of this router]
  fingerprint [fingerprint from IOS CA]
  revocation-check none
  rsakeypair [name] 2048 2048
```

Example: INET2 hub border router–DI-INET2-ASR1002X-12

This example is from the secondary WAN hub router in the dual Internet design model. It can reach the IOS CA through the internal network at 10.6.24.11 using the default VRF.

```
crypto pki trustpoint IWAN-CA
  enrollment url http://10.6.24.11:80
  serial-number none
  fqdn DI-INET2-ASR1002X-12.cisco.local
  ip-address 10.6.32.247
  fingerprint 75BEF6259A9876CF6F341FE586D4A5D8
  revocation-check none
  rsakeypair IWAN-CA-KEYS 2048 2048
```

Step 3: Authenticate to the CA and obtain the CA's certificate

Exit the trustpoint configuration mode on the hub router and issue the following command to authenticate to the CA and get its certificate.

```
DI-INET2-ASR1002X-12 (config)# crypto pki authenticate IWAN-CA
Certificate has the following attributes:
  Fingerprint MD5: 75BEF625 9A9876CF 6F341FE5 86D4A5D8
  Fingerprint SHA1: 9C14D6F4 D1F08023 17A85669 52922632 C6B02928
Trustpoint Fingerprint: 75BEF625 9A9876CF 6F341FE5 86D4A5D8
Certificate validated - fingerprints matched.
```

Step 4: When the trustpoint CA certificate is accepted, enroll with the CA, enter a password for key retrieval, and obtain a certificate for this hub router.

```
DI-INET2-ASR1002X-12 (config)# crypto pki enroll IWAN-CA

% Start certificate enrollment ..
% Create a challenge password. You will need to verbally provide this
  password to the CA Administrator in order to revoke your certificate.
  For security reasons your password will not be saved in the configuration.
  Please make a note of it.

Password: clsco123
Re-enter password: clsco123

% The subject name in the certificate will include: DI-INET2-ASR1002X-12.cisco.
local
% The IP address in the certificate is 10.6.32.247
Request certificate from CA? [yes/no]: yes
% Certificate request sent to Certificate Authority
% The 'show crypto pki certificate verbose IWAN-CA' command will show the finger-
print.
```

Step 5: Configure the IKEv2 proposal.

The user-defined IKEv2 proposal includes only the following:

- Encryption with AES cipher and a 256-bit key
- Pseudo-random function with SHA and a 512-bit digest
- Diffie-Hellman group: 19

```
crypto ikev2 proposal [proposal name]
  encryption [encryption algorithm]
  prf [pseudo-random function algorithm]
  group [Diffie-Hellman group]
```

Example

```
crypto ikev2 proposal AES/GCM/256
  encryption aes-gcm-256
  prf sha512
  group 19
```

The default IKEv2 proposal is also used.

A `show crypto ikev2 proposal` displays the details of the two proposals.

show crypto ikev2 proposal

```
IKEv2 proposal: AES/GCM/256
  Encryption : AES-GCM-256
  Integrity  : none
  PRF       : SHA512
  DH Group  : DH_GROUP_256_ECP/Group 19

IKEv2 proposal: default
  Encryption : AES-CBC-256 AES-CBC-192 AES-CBC-128
  Integrity  : SHA512 SHA384 SHA256 SHA96 MD596
  PRF       : SHA512 SHA384 SHA256 SHA1 MD5
  DH Group  : DH_GROUP_1536_MODP/Group 5 DH_GROUP_1024_MODP/Group 2
```

Step 6: Configure the IKEv2 policy.

The crypto policy includes the proposal you created in the previous step. This policy will match any FVRF defined on the router.

```
crypto ikev2 policy [policy name]
  match fvrif any
  proposal [proposal name]
```

Example

```
crypto ikev2 policy AES/GCM/256
  match fvrif any
  proposal AES/GCM/256
```

The default IKEv2 policy is also used.

A `show crypto ikev2 policy` displays the details of the two policies.

show crypto ikev2 policy

```
IKEv2 policy : AES/GCM/256
  Match fvrif : any
  Match address local : any
  Proposal    : AES/GCM/256

IKEv2 policy : default
  Match fvrif : any
  Match address local : any
  Proposal    : default
```

Step 7: Configure the IKEv2 profile.

The IKEv2 profile creates an association between an identity address, a VRF, and a crypto keyring. A wildcard address within a VRF is referenced with 0.0.0.0. The **identity local address** must match the crypto pki trustpoint's **ip-address** value from the step above.

Tech Tip

Use the **identity local address** in the ikev2 profile in order to avoid repeated CRYPTO-6-IKMP_NO_ID_CERT_ADDR_MATCH warning messages on the router.

The profile also defines what method of key sharing will be used on this router with **authentication local** and what methods will be accepted from remote locations with **authentication remote**. The **rsa-sig** keyword is used when certificates contain the encryption key.

```
crypto ikev2 profile [profile name]
  description [profile description]
  match fvrfr [vrf name]
  match identity remote address [IP address]
  identity local address [Loopback IP address of this router]
  authentication remote rsa-sig
  authentication local rsa-sig
  pki trustpoint [trustpoint name]
```

Example: INET2 hub border router–DI–INET2–ASR1002X–12

```
crypto ikev2 profile DMVPN-PKI-IKEv2-PROFILE
  description PKI Profile
  match fvrfr any
  match identity remote address 0.0.0.0
  identity local address 10.6.32.247
  authentication remote rsa-sig
  authentication local rsa-sig
```

Step 8: Define the IPsec transform set.

A transform set is an acceptable combination of security protocols, algorithms, and other settings to apply to IPsec-protected traffic. Peers agree to use a particular transform set when protecting a particular data flow.

The IPsec transform set for DMVPN uses the following:

- ESP with the 256-bit GCM encryption algorithm
- ESP with the SHA (HMAC variant) authentication algorithm

Because the DMVPN hub router is behind a NAT device, the IPsec transform must be configured for transport mode.

```
crypto ipsec transform-set [transform set] esp-gcm 256
mode transport
```

Example

```
crypto ipsec transform-set AES256/GCM/TRANSPORT esp-gcm 256
mode transport
```

Step 9: Configure the IPsec profile.

The IPsec profile creates an association between an IKEv2 profile and an IPsec transform-set.

```
crypto ipsec profile [profile name]
set transform-set [transform set]
set ikev2-profile [ikev2 profile name]
```

Example

```
crypto ipsec profile DMVPN-PKI-IPSEC-PROFILE
set transform-set AES256/GCM/TRANSFORM
set ikev2-profile DMVPN-PKI-IKEv2-PROFILE
```

Step 10: Increase the IPsec anti-replay window size.

```
crypto ipsec security-association replay window-size [value]
```

Example

```
crypto ipsec security-association replay window-size 1024
```

Tech Tip

QoS queuing delays can cause anti-replay packet drops, so it is important to extend the window size to prevent the drops from occurring.

Increasing the anti-replay window size has no impact on throughput and security. The impact on memory is insignificant because only an extra 128 bytes per incoming IPsec SA is needed.

It is recommended that you use the maximum window size in order to minimize future anti-replay problems. On the Cisco ASR1K, ISR 4K and ISR G2 router platforms, the maximum replay window size is 1024.

If you do not increase the window size, the router may drop packets and you may see the following error message on the router CLI and in the log:

```
%CRYPTO-4-PKT_REPLAY_ERR: decrypt: replay check failed
```

A `show crypto ipsec sa` displays the transform and anti-replay window size.

```
DI-INET2-ASR1002X-12#show crypto ipsec sa
interface: Tunnel21
  Crypto map tag: Tunnel21-head-0, local addr 192.168.146.21

protected vrf: (none)
local  ident (addr/mask/prot/port): (192.168.146.21/255.255.255.255/47/0)
remote ident (addr/mask/prot/port): (172.19.98.108/255.255.255.255/47/0)
current_peer 172.19.98.108 port 4500
  PERMIT, flags={origin_is_acl,}
  #pkts encaps: 88955556, #pkts encrypt: 88955556, #pkts digest: 88955556
  #pkts decaps: 118171922, #pkts decrypt: 118171922, #pkts verify: 118171922
  #pkts compressed: 0, #pkts decompressed: 0
  #pkts not compressed: 0, #pkts compr. failed: 0
  #pkts not decompressed: 0, #pkts decompress failed: 0
  #send errors 0, #recv errors 0

local crypto endpt.: 192.168.146.21, remote crypto endpt.: 172.19.98.108
plaintext mtu 1358, path mtu 1400, ip mtu 1400, ip mtu idb Tunnel21
current outbound spi: 0x3B1610D2(991301842)
PFS (Y/N): N, DH group: none

inbound esp sas:
  spi: 0xF47FC338(4102013752)
    transform: esp-gcm 256 ,
    in use settings ={Transport UDP-Encaps, }
    conn id: 16489, flow id: HW:14489, sibling flags FFFFFFFF80000008, crypto
map: Tunnel21-head-0
    sa timing: remaining key lifetime (k/sec): (4582843/385)
    IV size: 8 bytes
    replay detection support: Y  replay window size: 1024
    Status: ACTIVE(ACTIVE)
```

Step 11: Return to the previous place in the guide.

CONFIGURE IKEV2 AND IPSEC FOR A REMOTE SITE ROUTER

This section is for remote site routers only.

The parameters in the table below are used in this section. The crypto configurations have been simplified in this version of the guide in order to minimize the variations from previous guides. Use the values in the table that represent the design you are configuring.

Table 117 *Crypto parameters*

Parameter	Pre-Shared Keys	Public Key Infrastructure
crypto ikev2 keyring	DMVPN-KEYRING	DMVPN-KEYRING
crypto ikev2 profile	DMVPN-IKEv2-PROFILE	DMVPN-PKI-IKEv2-PROFILE
crypto ipsec profile	DMVPN-IPSEC-PROFILE	DMVPN-PKI-IPSEC-PROFILE

IPsec uses a key exchange between the routers in order to encrypt/decrypt the traffic. These keys can be exchanged using pre-shared keys or PKI certificates with a certificate authority. It is also possible to use a combination of the two, which is useful during a migration from one method to the other. Choose one of the two options below as your method of key exchange.

Option 3: Configure with Pre-Shared Keys

Step 1: Configure the crypto keyring for pre-shared keys.

The crypto keyring defines a pre-shared key (or password) valid for IP sources that are reachable within a particular VRF. This key is a wildcard pre-shared key if it applies to any IP source. A wildcard key is configured using the 0.0.0.0 0.0.0.0 network/mask combination.

```
crypto ikev2 keyring [keyring name]
peer ANY
address 0.0.0.0 0.0.0.0
pre-shared-key [password]
```

Example

```
crypto ikev2 keyring DMVPN-KEYRING
peer ANY
address 0.0.0.0 0.0.0.0
pre-shared-key c1sco123
```

Step 2: Configure the IKEv2 proposal.

The user-defined IKEv2 proposal includes only the following:

- Encryption with AES cipher and a 256-bit key
- Pseudo-random function with SHA and a 512-bit digest
- Diffie-Hellman group: 19

```
crypto ikev2 proposal [proposal name]
  encryption [encryption algorithm]
  prf [pseudo-random function algorithm]
  group [Diffie-Hellman group]
```

Example

```
crypto ikev2 proposal AES/GCM/256
  encryption aes-gcm-256
  prf sha512
  group 19
```

The default IKEv2 proposal is also used.

A **show crypto ikev2 proposal** displays the details of the two proposals.

```
show crypto ikev2 proposal
IKEv2 proposal: AES/GCM/256
  Encryption : AES-GCM-256
  Integrity  : none
  PRF       : SHA512
  DH Group   : DH_GROUP_256_ECP/Group 19
IKEv2 proposal: default
  Encryption : AES-CBC-256 AES-CBC-192 AES-CBC-128
  Integrity  : SHA512 SHA384 SHA256 SHA96 MD596
  PRF       : SHA512 SHA384 SHA256 SHA1 MD5
  DH Group   : DH_GROUP_1536_MODP/Group 5 DH_GROUP_1024_MODP/Group 2
```

Step 3: Configure the IKEv2 policy.

The crypto policy includes the proposal you created in the previous step. This policy will match any FVRF defined on the router.

```
crypto ikev2 policy [policy name]
  match fvrf any
  proposal [proposal name]
```

Example

```
crypto ikev2 policy AES/GCM/256
  match fvrf any
  proposal AES/GCM/256
```

The default IKEv2 policy is also used.

A **show crypto ikev2 policy** displays the details of the two policies.

```
show crypto ikev2 policy

IKEv2 policy : AES/GCM/256
  Match fvrf : any
  Match address local : any
  Proposal   : AES/GCM/256

IKEv2 policy : default
  Match fvrf : any
  Match address local : any
  Proposal   : default
```

Step 4: Configure the IKEv2 profile.

The IKEv2 profile creates an association between an identity address, a VRF, and a crypto keyring. A wildcard address within a VRF is referenced with 0.0.0.0. The **identity local address** must match the loopback address of this router.

Tech Tip

Identity local address is needed for customers who use Carrier Grade NAT (CGN), which requires a unique identity per remote site router even if the same pre-NAT IP address is used for other locations. The command does not affect customers who are not using CGN, so it is a recommended best practice to use the command all of the time.

The profile also defines what method of key sharing will be used on this router with **authentication local** and what methods will be accepted from remote locations with **authentication remote**. The **pre-share** keyword is used with the keyring defined above.

DPD is essential in order to facilitate fast reconvergence and for spoke registration to function properly in case a DMVPN hub is restarted. The IWAN design recommends you set the remote site DPD timer to 40 seconds with a 5 second retry. Moving the DPD timer into the **crypto ikev2 profile** ensures the command will be used immediately, rather than waiting for the first 24 hour refresh cycle if the command is entered in the global configuration.

```
crypto ikev2 profile [profile name]
description [profile description]
match fvrfr [vrf name]
match identity remote address [IP address]
identity local address [Loopback IP address of this router]
authentication remote pre-share
authentication local pre-share
keyring local [keyring name]
```

Example: Single-router remote site for hybrid-RS11-2921

```
crypto ikev2 profile DMVPN-IKEv2-PROFILE
description PSK Profile
match fvrfr any
match identity remote address 0.0.0.0
identity local address 10.255.241.11
authentication local pre-share
authentication remote pre-share
keyring local DMVPN-KEYRING
dpd 40 5 on-demand
```

Step 5: Define the IPsec transform set.

A transform set is an acceptable combination of security protocols, algorithms, and other settings to apply to IPsec-protected traffic. Peers agree to use a particular transform set when protecting a particular data flow.

The IPsec transform set for DMVPN uses the following:

- ESP with the 256-bit GCM encryption algorithm
- ESP with the SHA (HMAC variant) authentication algorithm

Because the DMVPN hub router is behind a NAT device, the IPsec transform must be configured for transport mode.

```
crypto ipsec transform-set [transform set] esp-gcm 256
mode transport
```

Example

```
crypto ipsec transform-set AES256/GCM/TRANSPORT esp-gcm 256
mode transport
```

Step 6: Configure the IPsec profile.

The IPsec profile creates an association between an IKEv2 profile and an IPsec transform-set.

```
crypto ipsec profile [profile name]
set transform-set [transform set]
set ikev2-profile [ikev2 profile name]
```

Example

```
crypto ipsec profile DMVPN-IPSEC-PROFILE
set transform-set AES256/GCM/TRANSFORM
set ikev2-profile DMVPN-IKEv2-PROFILE
```

Step 7: Increase the IPsec anti-replay window size.

```
crypto ipsec security-association replay window-size [value]
```

Example

```
crypto ipsec security-association replay window-size 1024
```

Tech Tip

QoS queuing delays can cause anti-replay packet drops, so it is important to extend the window size in order to prevent the drops from occurring.

Increasing the anti-replay window size has no impact on throughput and security. The impact on memory is insignificant because only an extra 128 bytes per incoming IPsec SA is needed.

It is recommended that you use the maximum window size in order to minimize future anti-replay problems. On the ASR1K, ISR4K and ISRG2 router platforms, the maximum replay window size is 1024.

If you do not increase the window size, the router may drop packets and you may see the following error messages on the router CLI and in the log:

```
%CRYPTO-4-PKT_REPLAY_ERR: decrypt: replay check failed
```

Step 8: Return to the previous place in the guide.

Option 4: Configure with a certificate authority

If you want to use a certificate authority, you will have to configure a pre-shared key on one of the hub border routers in order to allow each remote site to establish a DMVPN tunnel to the WAN aggregation site. After the first DMVPN tunnel at a remote site is established, the router will be able to authenticate to the CA and obtain a certificate. After obtaining the certificate, you can configure the remote site to use PKI.

The **crypto pki trustpoint** is the method of specifying the parameters associated with a CA. The router must authenticate to the CA first and then enroll with the CA in order to obtain its own identity certificate.

Step 1: The fingerprint command limits the responding CA. You can find this fingerprint by using **show crypto pki server** on the IOS CA.

```
IWAN-IOS-CA#show crypto pki server
Certificate Server IWAN-IOS-CA:
  Status: enabled
  State: enabled
  Server's configuration is locked (enter "shut" to unlock it)
  Issuer name: CN=IWAN-IOS-CA.cisco.local L=SanJose St=CA C=US
  CA cert fingerprint: 75BEF625 9A9876CF 6F341FE5 86D4A5D8
  Granting mode is: auto
  Last certificate issued serial number (hex): 59
  CA certificate expiration timer: 13:19:42 PST Dec 24 2017
  CRL NextUpdate timer: 14:55:59 PDT Sep 12 2016
  Current primary storage dir: nvram:
  Current storage dir for .crl files: nvram:
  Database Level: Complete - all issued certs written as <serialnum>.cer
```

Step 2: Configure the PKI trust point.

```
crypto pki trustpoint [name]
  enrollment url [URL of IOS CA]
  serial-number none
  fqdn [fully qualified domain name of this router]
  ip-address [loopback IP address of this router]
  fingerprint [fingerprint from IOS CA]
  revocation-check none
  rsakeypair [name] 2048 2048
```

Example: Second router of dual-router site for dual INET–RS14-2921-2

This example is from the primary WAN remote site router in the dual Internet design model. After the DMVPN tunnel is established with pre-shared keys, it can reach the IOS CA through the internal network at 10.6.24.11 using the default VRF.

```
crypto pki trustpoint IWAN-CA
  enrollment url http://10.6.24.11:80
  serial-number none
  fqdn RS14-2921-2.cisco.local
  ip-address 10.255.247.14
  fingerprint 75BEF6259A9876CF6F341FE586D4A5D8
  revocation-check none
  rsakeypair IWAN-CA-KEYS 2048 2048
```

Step 3: Authenticate to the CA and obtain the CA's certificate

Exit the trustpoint configuration mode on the hub router and issue the following command to authenticate to the CA and get its certificate.

```
RS14-2921-2(config)# crypto pki authenticate IWAN-CA
Certificate has the following attributes:
  Fingerprint MD5: 75BEF625 9A9876CF 6F341FE5 86D4A5D8
  Fingerprint SHA1: 9C14D6F4 D1F08023 17A85669 52922632 C6B02928
Trustpoint Fingerprint: 75BEF625 9A9876CF 6F341FE5 86D4A5D8
Certificate validated - fingerprints matched.
```

Step 4: When the trustpoint CA certificate is accepted, enroll with the CA, enter a password for key retrieval, and obtain a certificate for this hub router.

```
RS14-2921-2(config)# crypto pki enroll IWAN-CA
% Start certificate enrollment ..
% Create a challenge password. You will need to verbally provide this
  password to the CA Administrator in order to revoke your certificate.
  For security reasons your password will not be saved in the configuration.
  Please make a note of it.

Password: clsco123
Re-enter password: clsco123

% The subject name in the certificate will include: RS14-2921-2.cisco.local
% The IP address in the certificate is 10.255.247.14

Request certificate from CA? [yes/no]: yes
% Certificate request sent to Certificate Authority
% The 'show crypto pki certificate verbose IWAN-CA' command will show the finger-
print.
```

Step 5: Configure the IKEv2 proposal.

The user-defined IKEv2 proposal includes only the following:

- Encryption with AES cipher and a 256-bit key
- Pseudo-random function with SHA and a 512-bit digest
- Diffie-Hellman group: 19

```
crypto ikev2 proposal [proposal name]
  encryption [encryption algorithm]
  prf [pseudo-random function algorithm]
  group [Diffie-Hellman group]
```

Example

```
crypto ikev2 proposal AES/GCM/256
  encryption aes-gcm-256
  prf sha512
  group 19
```

The default IKEv2 proposal is also used.

A `show crypto ikev2 proposal` displays the details of the two proposals.

show crypto ikev2 proposal

```
IKEv2 proposal: AES/GCM/256
  Encryption : AES-GCM-256
  Integrity  : none
  PRF       : SHA512
  DH Group  : DH_GROUP_256_ECP/Group 19

IKEv2 proposal: default
  Encryption : AES-CBC-256 AES-CBC-192 AES-CBC-128
  Integrity  : SHA512 SHA384 SHA256 SHA96 MD596
  PRF       : SHA512 SHA384 SHA256 SHA1 MD5
  DH Group  : DH_GROUP_1536_MODP/Group 5 DH_GROUP_1024_MODP/Group 2
```

Step 6: Configure the IKEv2 policy.

The crypto policy includes the proposal you created in the previous step. This policy will match any FVRF defined on the router.

```
crypto ikev2 policy [policy name]
  match fvrf any
  proposal [proposal name]
```

Example

```
crypto ikev2 policy AES/GCM/256
  match fvrf any
  proposal AES/GCM/256
```

The default IKEv2 policy is also used.

A `show crypto ikev2 policy` displays the details of the two policies.

show crypto ikev2 policy

```
IKEv2 policy : AES/GCM/256
  Match fvrf : any
  Match address local : any
  Proposal   : AES/GCM/256

IKEv2 policy : default
  Match fvrf : any
  Match address local : any
  Proposal   : default
```

Step 7: Configure the IKEv2 profile.

The IKEv2 profile creates an association between an identity address, a VRF, and a crypto keyring. A wildcard address within a VRF is referenced with 0.0.0.0. The **identity local address** must match the crypto pki trustpoint's **ip-address** value from the step above.

Tech Tip

Use the **identity local address** in the ikev2 profile in order to avoid repeated CRYPTO-6-IKMP_NO_ID_CERT_ADDR_MATCH warning messages on the router.

The profile also defines what method of key sharing will be used on this router with **authentication local** and what methods will be accepted from remote locations with **authentication remote**. The **rsa-sig** keyword is used when certificates contain the encryption key.

DPD is essential in order to facilitate fast reconvergence and for spoke registration to function properly in case a DMVPN hub is restarted. The IWAN design recommends you set the remote site DPD timer to 40 seconds with a 5 second retry.

```
crypto ikev2 profile [profile name]
  description [profile description]
  match fvrfr [vrf name]
  match identity remote address [IP address]
  identity local address [Loopback IP address of this router]
  authentication remote rsa-sig
  authentication local rsa-sig
  pki trustpoint [trustpoint name]
  dpd [interval in seconds] [retry interval] on-demand
```

Example: Second router of dual-router site for dual INET-RS14-2921-2

```
crypto ikev2 profile DMVPN-PKI-IKEv2-PROFILE
  description PKI Profile
  match fvrfr any
  match identity remote address 0.0.0.0
  identity local address 10.255.247.14
  authentication remote rsa-sig
  authentication local rsa-sig
  pki trustpoint IWAN-CA
  dpd 40 5 on-demand
```

Step 8: Define the IPsec transform set.

A transform set is an acceptable combination of security protocols, algorithms, and other settings to apply to IPsec-protected traffic. Peers agree to use a particular transform set when protecting a particular data flow.

The IPsec transform set for DMVPN uses the following:

- ESP with the 256-bit GCM encryption algorithm
- ESP with the SHA (HMAC variant) authentication algorithm

Because the DMVPN hub router is behind a NAT device, the IPsec transform must be configured for transport mode.

```
crypto ipsec transform-set [transform set] esp-gcm 256
mode transport
```

Example

```
crypto ipsec transform-set AES256/GCM/TRANSPORT esp-gcm 256
mode transport
```

Step 9: Configure the IPsec profile.

The IPsec profile creates an association between an IKEv2 profile and an IPsec transform-set.

```
crypto ipsec profile [profile name]
set transform-set [transform set]
set ikev2-profile [ikev2 profile name]
```

Example

```
crypto ipsec profile DMVPN-PKI-IPSEC-PROFILE
set transform-set AES256/GCM/TRANSFORM
set ikev2-profile DMVPN-PKI-IKEv2-PROFILE
```

Step 10: Increase the IPsec anti-replay window size.

```
crypto ipsec security-association replay window-size [value]
```

Example

```
crypto ipsec security-association replay window-size 1024
```

Tech Tip

QoS queuing delays can cause anti-replay packet drops, so it is important to extend the window size in order to prevent the drops from occurring. Increasing the anti-replay window size has no impact on throughput and security. The impact on memory is insignificant because only an extra 128 bytes per incoming IPsec SA is needed.

It is recommended that you use the maximum window size in order to minimize future anti-replay problems. On the Cisco ASR 1K, ISR 4K and ISR G2 router platforms, the maximum replay window size is 1024. If you do not increase the window size, the router may drop packets and you may see the following error message on the router CLI and in the log:

```
%CRYPTO-4-PKT_REPLAY_ERR: decrypt: replay check failed
```

Step 11: Return to the previous place in the guide.



Appendix D: Changes

This appendix summarizes the changes Cisco made to this guide since its last edition.

- Routing updates
 - Added iBGP in WAN overlay with OSPF on LAN as an option
 - Added EIGRP stub-site and removed remote site tagging
 - Added EIGRP summary metrics
 - Added EIGRP delay parameters on LAN and transit networks
- PfR updates
 - Added load-balance exclusion
 - Added path preference hierarchy
 - Added path of last resort (PLR)
- Multiple WAN transports
 - Added dual hybrid with PLR design model (2 MPLS, 2 INET and 1 INET PLR)
 - Added five hub BRs and five transit BRs with DC Interconnect
 - Added single router remote site with three WAN transports
 - Added dual router remote site with five WAN transports
 - Added EIGRP and BGP/OSPF configurations
- AVC updates
 - Prime 3.1 and LiveAction Live NX 5.3 for NetFlow collection
- IKEV2 updates
 - Added NGE/Suite-B AES-GCM-256 encryption proposal
 - Simplified the crypto configurations with “match fvrf any” for portability between design models
 - Added local identity for PSK design to address Carrier Grade NAT issues
- Hub MC HA updates
 - Configured a second loopback interface for managing the hub MCs



Please use the [feedback form](#) to send comments and suggestions about this guide.



Americas Headquarters
Cisco Systems, Inc.
San Jose, CA

Asia Pacific Headquarters
Cisco Systems (USA) Pte. Ltd.
Singapore

Europe Headquarters
Cisco Systems International BV Amsterdam,
The Netherlands

Cisco has more than 200 offices worldwide. Addresses, phone numbers, and fax numbers are listed on the Cisco Website at www.cisco.com/go/offices.

ALL DESIGNS, SPECIFICATIONS, STATEMENTS, INFORMATION, AND RECOMMENDATIONS (COLLECTIVELY, "DESIGNS") IN THIS MANUAL ARE PRESENTED "AS IS," WITH ALL FAULTS. CISCO AND ITS SUPPLIERS DISCLAIM ALL WARRANTIES, INCLUDING, WITHOUT LIMITATION, THE WARRANTY OF MERCHANTABILITY, FITNESS FOR A PARTICULAR PURPOSE AND NONINFRINGEMENT OR ARISING FROM A COURSE OF DEALING, USAGE, OR TRADE PRACTICE. IN NO EVENT SHALL CISCO OR ITS SUPPLIERS BE LIABLE FOR ANY INDIRECT, SPECIAL, CONSEQUENTIAL, OR INCIDENTAL DAMAGES, INCLUDING, WITHOUT LIMITATION, LOST PROFITS OR LOSS OR DAMAGE TO DATA ARISING OUT OF THE USE OR INABILITY TO USE THE DESIGNS, EVEN IF CISCO OR ITS SUPPLIERS HAVE BEEN ADVISED OF THE POSSIBILITY OF SUCH DAMAGES. THE DESIGNS ARE SUBJECT TO CHANGE WITHOUT NOTICE. USERS ARE SOLELY RESPONSIBLE FOR THEIR APPLICATION OF THE DESIGNS. THE DESIGNS DO NOT CONSTITUTE THE TECHNICAL OR OTHER PROFESSIONAL ADVICE OF CISCO, ITS SUPPLIERS OR PARTNERS. USERS SHOULD CONSULT THEIR OWN TECHNICAL ADVISORS BEFORE IMPLEMENTING THE DESIGNS. RESULTS MAY VARY DEPENDING ON FACTORS NOT TESTED BY CISCO.

Any Internet Protocol (IP) addresses used in this document are not intended to be actual addresses. Any examples, command display output, and figures included in the document are shown for illustrative purposes only. Any use of actual IP addresses in illustrative content is unintentional and coincidental.

© 2016 Cisco Systems, Inc. All rights reserved.

Cisco and the Cisco logo are trademarks or registered trademarks of Cisco and/or its affiliates in the U.S. and other countries. To view a list of Cisco trademarks, go to this URL: www.cisco.com/go/trademarks. Third-party trademarks mentioned are the property of their respective owners. The use of the word partner does not imply a partnership relationship between Cisco and any other company. (1110R)